

Adjustable Keyboard Tray

with Tool-Free Installation

AKT65LE

Position your keyboard and mouse in an ergonomically correct fashion – without the need for tools! Gain maximum comfort and productivity by using the standard keyboard platform combined with a Knob Adjust Arm, and cost-effectively build a better workspace.



- For desktops between 1" and 1 1/4" thick
- For workstations where mounting depth is greater than 17.5"
- 5 year warranty on keyboard tray
- 1 year warranty on wrist rest

TOOL-FREE INSTALLATION

Just 10 minutes and four easy steps to complete installation – 3M™ Command™ Adhesive requires no tools and removes cleanly if needed



17 INCH TRACK

Keyboard tray glides along with just a touch and can be stowed completely under the desk

3M™ PRECISE™ BATTERY SAVING MOUSING SURFACE†

Extends battery life of wireless optical mice up to 75%

GEL WRIST REST WITH ANTIMICROBIAL PRODUCT PROTECTION*

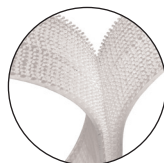
Adds comfort by minimizing pressure points

KNOB ADJUST ARM

Tilt and height adjustments are made simple with use of a single knob – 17" track fits in shallow workstations

STANDARD KEYBOARD PLATFORM

Platform accommodates both keyboard and mouse



3M™ DUAL LOCK ATTACHMENT SYSTEM

Holds wrist rest in place and allows for easy removal for repositioning or replacement

*†See back for detailed information





17" Track / Knob Adjust Arm



KP100LE Standard Platform
for keyboard and mouse

Platform Type	Standard platform for keyboard and mouse
Arm Type	Knob Adjust
Accepts Second Mouse Platform (sold separately)	No
Tilt Range Forward/Backward	+15°/-15°
Swivel Range	360°
Track Length Inches (mm)	17" (431)
Max Height Above Mounting Surface Inches (mm)	1" (25)
Max Depth Below Mounting Surface Inches (mm)	4.5" (114)
Min Width Below Mounting Surface Inches (mm)	26" (660)
Min Depth Below Mounting Surface Inches (mm)	17.5" (444)
Fits Corner Workstation	No
Warranty Years	5 years, 1 year on wrist rest

Tool-free Installation



Remove backing on the 3M™ Command™ Adhesive Strip



Place track on work surface and press adhesive to desk for 30 seconds



Apply wrist rest and mousing surface and slide tray into track



Insert clamping wedges, retainer plate and bolts – tighten with fingers

Adjusting



Standard platform accommodates both keyboard and mouse



Height and tilt are adjusted by loosening single knob

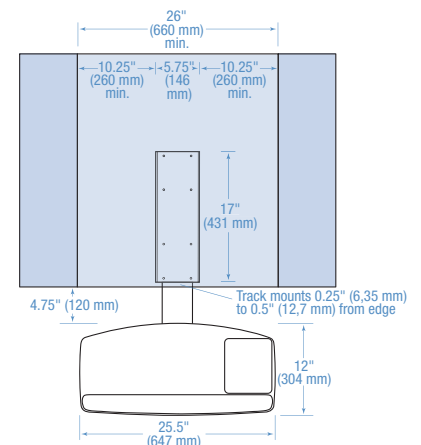


Self-adhesive mousing surface is positionable left or right



Compatible with Ergonomic Keyboards – use 3M™ WR314LE Wrist Rest (sold separately) in place of wrist rest included with AKT

Dimensions



available at:



800.531.3746
info@thehumansolution.com
thehumansolution.com

*Antimicrobial Product Protection

Gel-filled wrist rests with antimicrobial protection inhibits the growth of microorganisms, such as bacteria, on the product surface, that can cause stains, odors and product degradation.

†Battery Saving Mousepad Designs

Products identified by this symbol feature 3M™ Precise™ Optical Mousing Surfaces with battery saving designs which extend the battery life of wireless optical mice up to 75%. Our lab testing has shown that these surfaces draw less current and thus offer 75% more battery life. The lab tests were done using mice from the leading manufacturers in the marketplace (Microsoft and Logitech) in conjunction with batteries from the leading battery manufacturers in the US (Energizer, Duracell and Rayovac). Our battery saving mousing surfaces feature the 3M micro-textured technology used to make 3M™ Precise™ Optical Mousing Surfaces.

Please recycle. Printed in U.S.A. 3M and Precise are trademarks of 3M. © 3M 2008

70-0714-3534-4

2108SA0112308