

# Easy Adjust Notebook and Projector Riser



## LX600MB

Raise your notebook screen to an ergonomically correct height with this easy to adjust riser. Doubles as an LCD projector riser to help get that projector where you need it for perfect presentations.

- Height easily adjusts up and down through 4" range
- Swivels 360° and tilts forward and back 40° for optimal positioning
- For notebooks or projectors up to 14 lbs
- Includes attachment system for docking stations for quick and easy notebook connectivity
- 3 year warranty



Can use as a projector riser



360° swivel and expandable platform with cooling vents



Independent height and tilt adjustment

See back for detailed information

**3M**

## Easy Adjust System

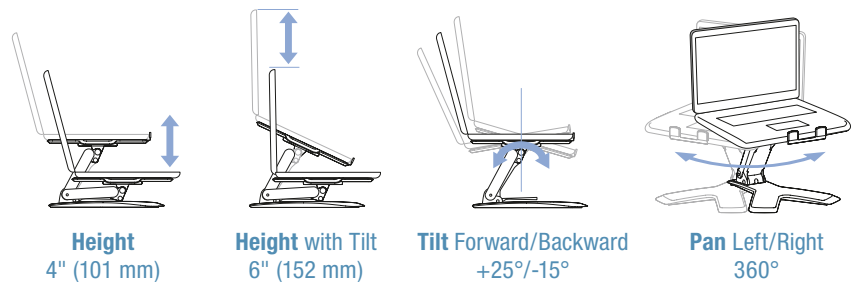
The easy adjust system uses patented technology to let the user change the height of their display with just the touch of a finger—and the display stays where it's positioned!



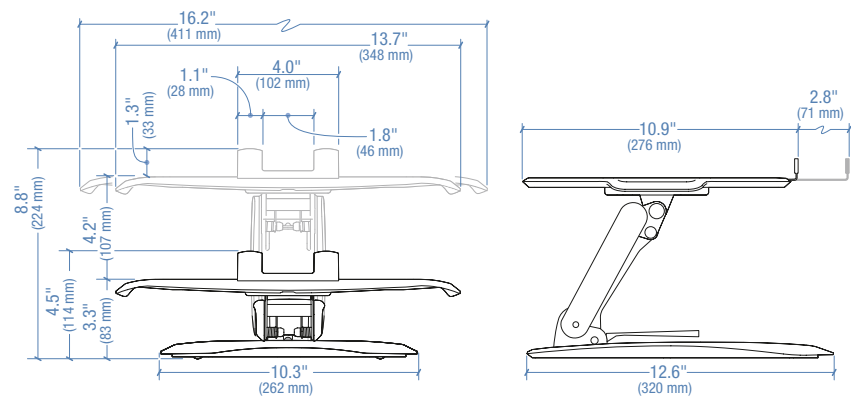
## Specifications

<b>Monitor Weight Range</b> lbs (kg)	N/A
<b>Notebook Weight Range</b> lbs (kg)	2.5–14 (1.1–6.3)
<b>Height Range of Adjustable Segment</b> Inches (mm)	4" (101)
<b>Tilt Range</b> Forward/Backward	+25°/-15°
<b>Pan</b> Left/Right	360°
<b>Rotation</b> Portrait/Landscape	N/A
<b>VESA MIS-D 75 mm and 100 mm Compatibility</b>	N/A
<b>Clamp Mount Max Desk Thickness</b> Inches (mm)	N/A
<b>Clamp Mount Min Desk Thickness</b> Inches (mm)	N/A
<b>Grommet Mount Max Surface Thickness</b> Inches (mm)	N/A
<b>Grommet Mount Min Hole Size</b> Inches (mm)	N/A
<b>Grommet Mount Max Hole Size</b> Inches (mm)	N/A
<b>Max Extension Length</b> Inches (mm)	N/A
<b>Max Mount Plate Height From Desk Surface</b> Inches (mm)	N/A
<b>Min Mount Plate Height from Desk Surface</b> Inches (mm)	N/A
<b>Warranty Years</b>	3

## Range of Motion



## Dimensions



800.531.3746 • info@thehumansolution.com • thehumansolution.com