

UPLIFT DESK®

FRAME COLOR AND STYLE



Frames are available in three colors:

Black



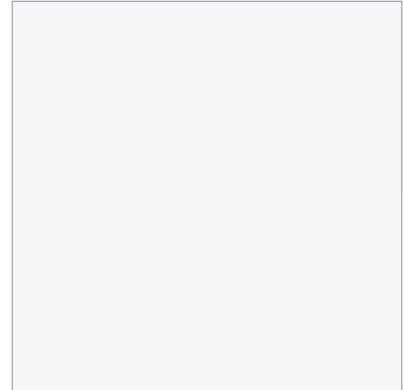
RAL 9005 (Jet Black)
Pantone Black

Silver



RAL 7045 (Telegray 1)
Pantone 423 C

White

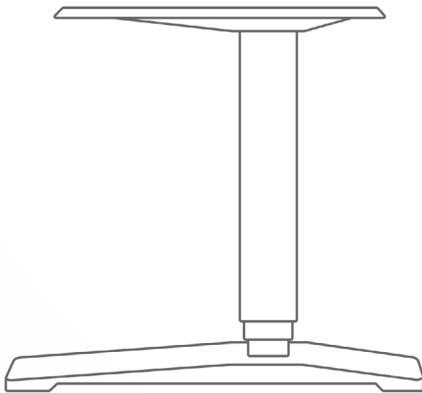


RAL 9016 (Traffic White)
Pantone 705

Note: varying degrees of gloss and powder coat can slightly change on the final product when compared to standardized color charts like RAL and Pantone.

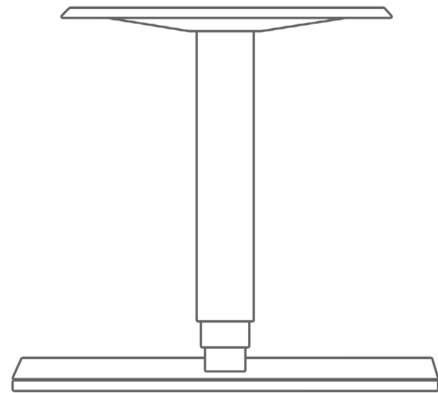
We offer two frame styles:

C-Frame



The C-frame is our most popular option. It features stiffer, cast aluminum feet, with the legs offset towards the rear of the desk. This positioning provides extra stability and 3.5" of additional space under the desktop for accessory installation.

T-Frame



The T-frame, constructed with bent steel, centers the legs over the feet in traditional height-adjustable desk design. It provides excellent stability as well; however, if you're choosing a 72" x 30" or 80" x 30" desktop, you may appreciate the extra stability provided by the C-frame.

UPLIFT DESK[®] FRAME COLOR AND STYLE

Height range	23.5" - 49.5" - without desktop (add 0.75" for C-frame)
Base width	Adjustable from 26" - 70" W
Travel speed	1.5"/second (varies - slowest with maximum load) with soft start/stop actuator motors
Sound level	45 decibels during motion
Weight capacity	355 lbs
Keypad	Advanced 1-touch digital memory keypad is available Push and hold up/down keypad comes standard
Voltage	Input: 110 V Output: 31 V
Adjustable foot leveling studs	3/8" adjustment for uneven flooring
Transformer power	200 W (0.2 W on standby)
Power supply current	5 amps
BIFMA/ANSI X5.5-2008 Certified	Yes
Warranty	7-year all-inclusive warranty on the entire desk base, which includes the motor, frame, controller, keypad, electronics and mechanisms. 12-year extended warranty available.

UPLIFT DESK® FRAME COLOR AND STYLE

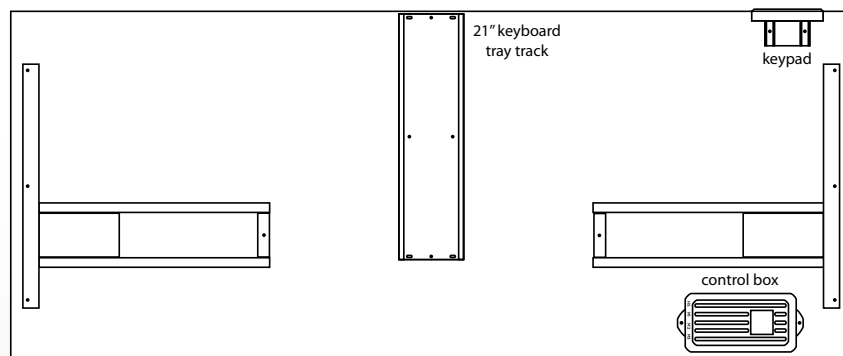
Features

- 26" of height adjustment, soft start and stop, and an eco-friendly low-draw transformer
- Telescopes to fit various desktop sizes
- Crossbar positioned directly under desktop for more leg room
- Powder-coated finish with no VOCs or off-gassing
- Control box with haul sensor aligns feet for speed
- Assembled in Austin, Texas from parts sourced both globally and within the USA

Our frames are expandable to fit desktop sizes between 26" - 96" wide. If you decide to change your top size in the future, there's no need to get an entirely new desk; simply adjust the frame to fit your new desktop. If you go from a very large to a very small top or vice versa, you may need to purchase additional components. For example, if you start with a top that's 30" deep and switch to a top that's 24" deep, you may want to purchase shorter feet so they don't stick out beyond the surface of the desktop.

Frames feature a motor in each leg for fast, quiet height adjustment. Motors are spindle-in-spindle, which means there is less chance of slippage or looseness as is found in chain or belt motors. Both frames go high enough to accommodate 95% of the population; users over 6' 6" may want to purchase the optional locking casters, which provide an extra 1.5" of height to the desk.

Both frames feature optional crossbars. If you plan to use a keyboard tray with a standard track running from the front to the back of the desk, you'll assemble your desk without the crossbars to allow for placement of the keyboard tray track. There is no negative impact on overall stability if you choose to leave the crossbars out.

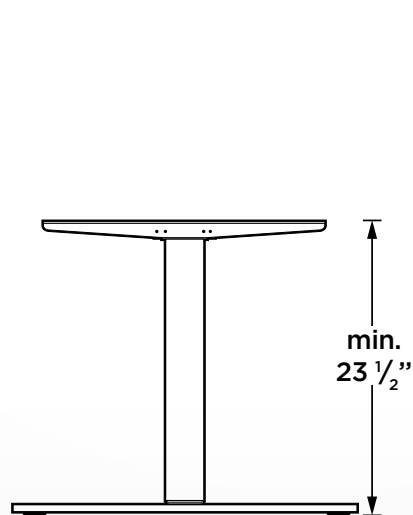
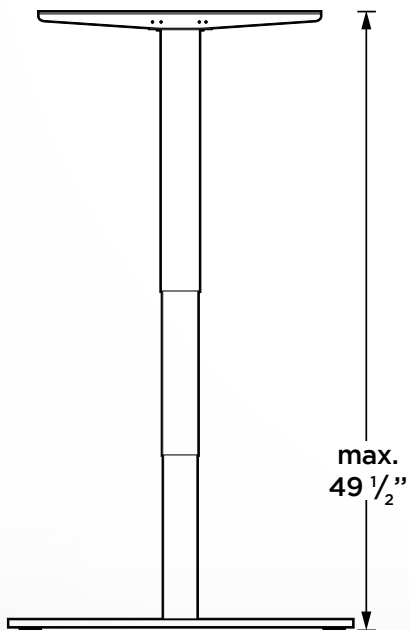
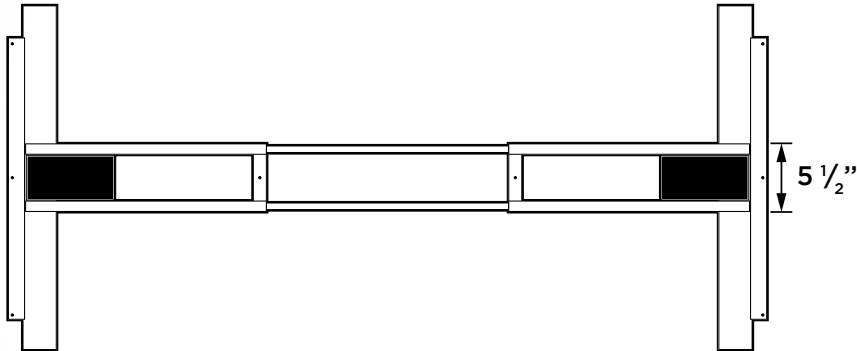
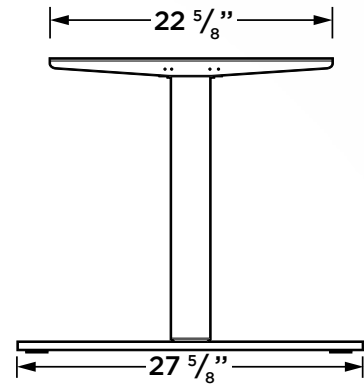
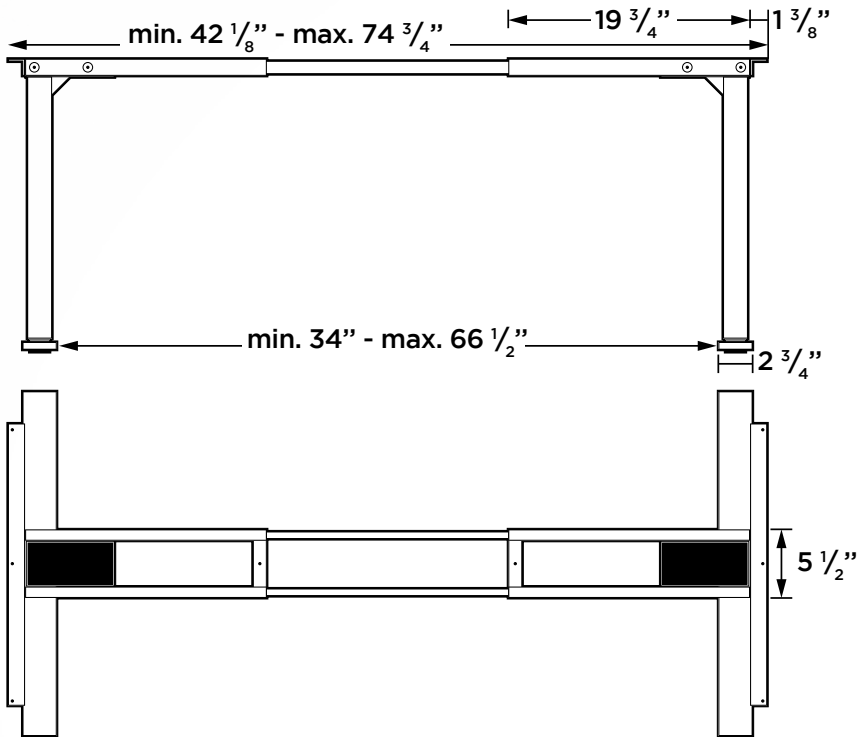


www.upliftdesk.com

800-349-3839 | info@upliftdesk.com

UPLIFT DESK® FRAME COLOR AND STYLE

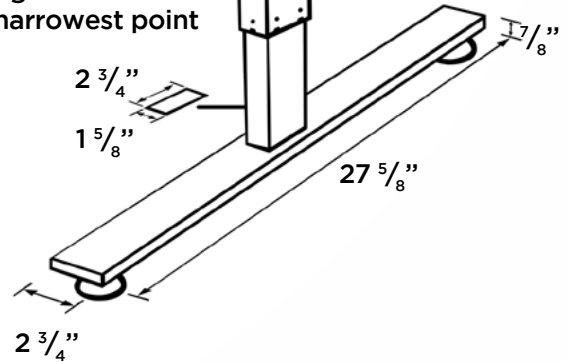
UPLIFT Standard T-Frame - pairs with 60" x 30", 72" x 30", and 80" x 30" desktops



Leg dimensions at widest point



Leg dimensions at narrowest point

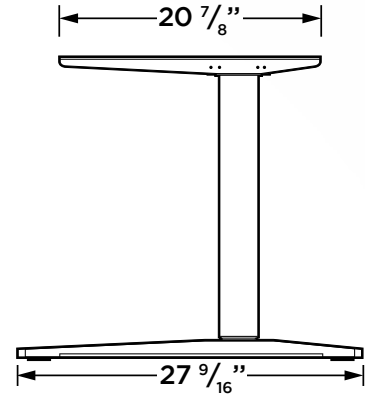
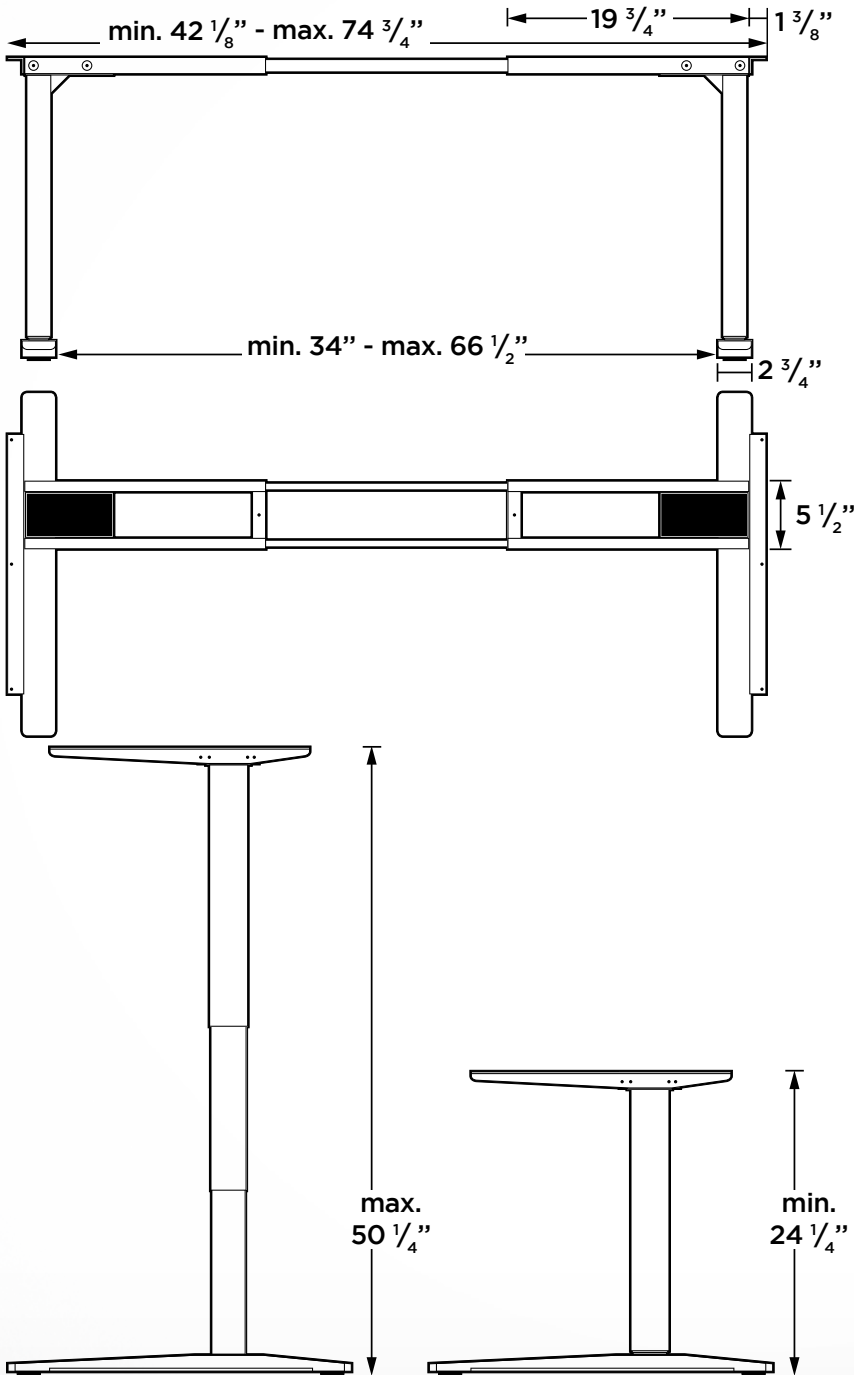


www.upliftdesk.com

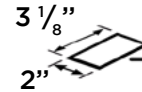
800-349-3839 | info@upliftdesk.com

UPLIFT DESK® FRAME COLOR AND STYLE

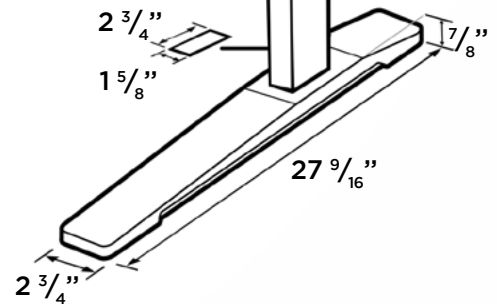
UPLIFT Standard C-Frame - pairs with 60" x 30", 72" x 30", and 80" x 30" desktops



Leg dimensions at widest point

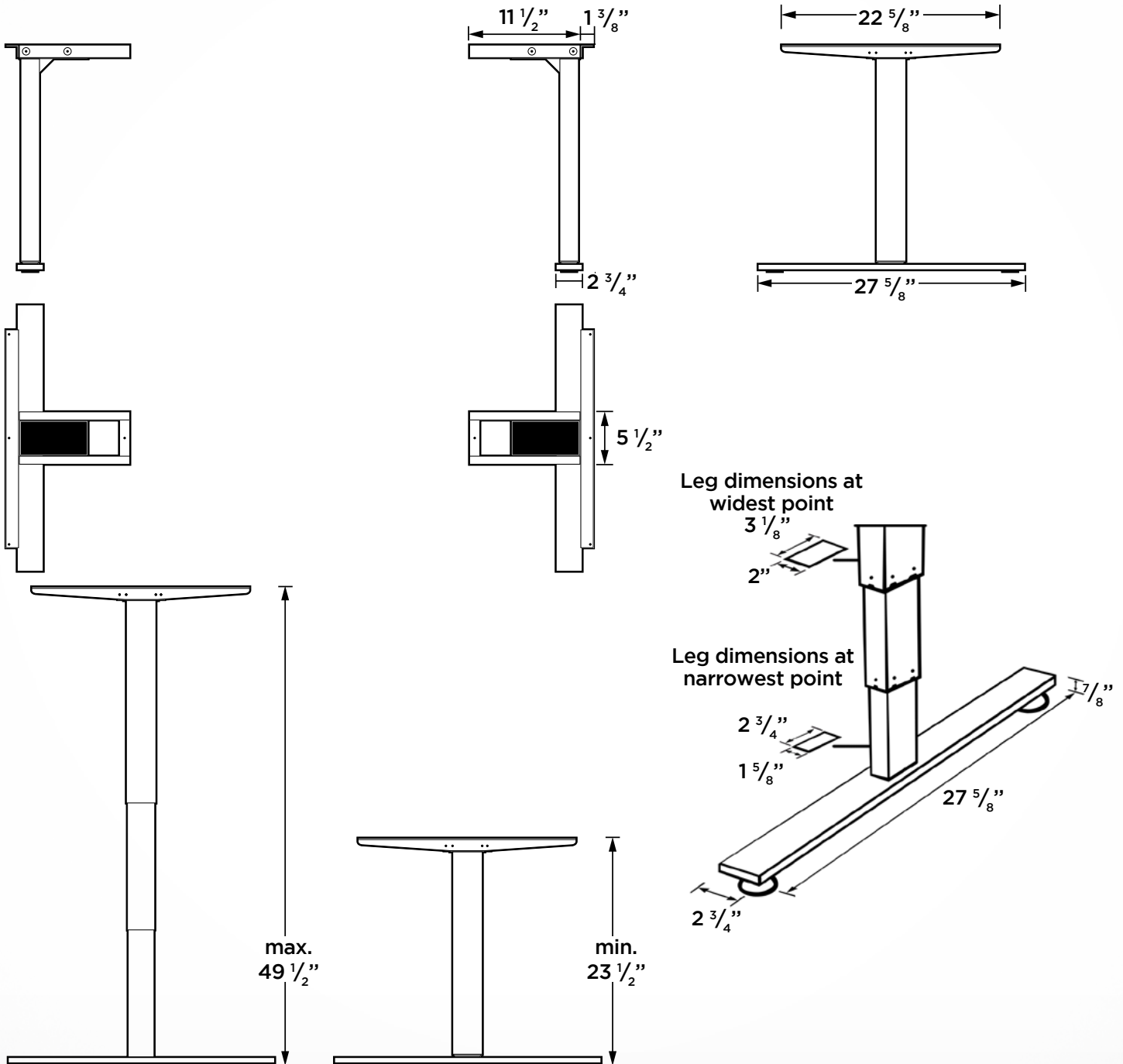


Leg dimensions at narrowest point



UPLIFT DESK® FRAME COLOR AND STYLE

UPLIFT Narrow T-Frame - pairs with 48" x 30" desktops

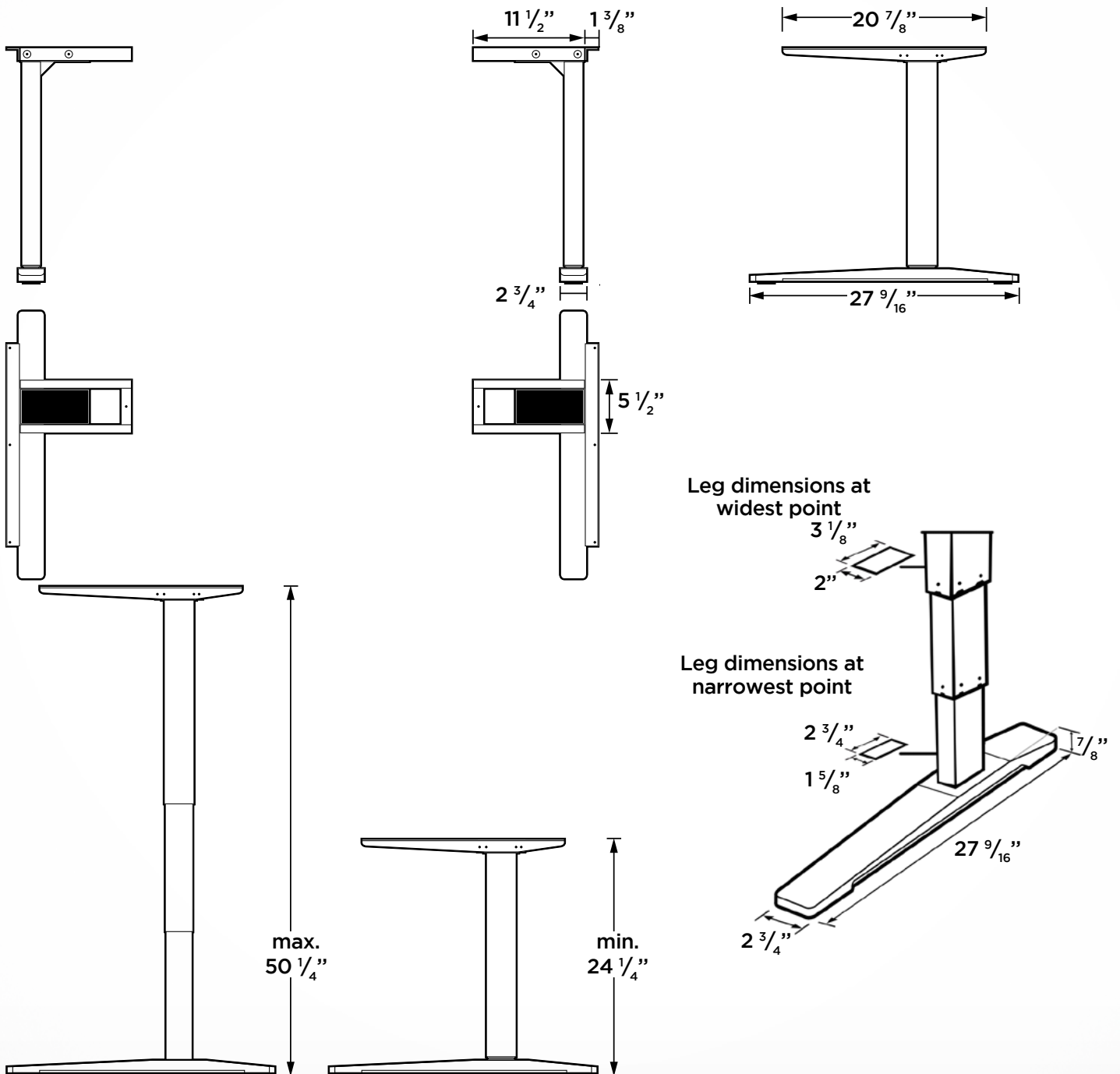


www.upliftdesk.com

800-349-3839 | info@upliftdesk.com

UPLIFT DESK® FRAME COLOR AND STYLE

UPLIFT Narrow C-Frame - pairs with 48" x 30" desktops

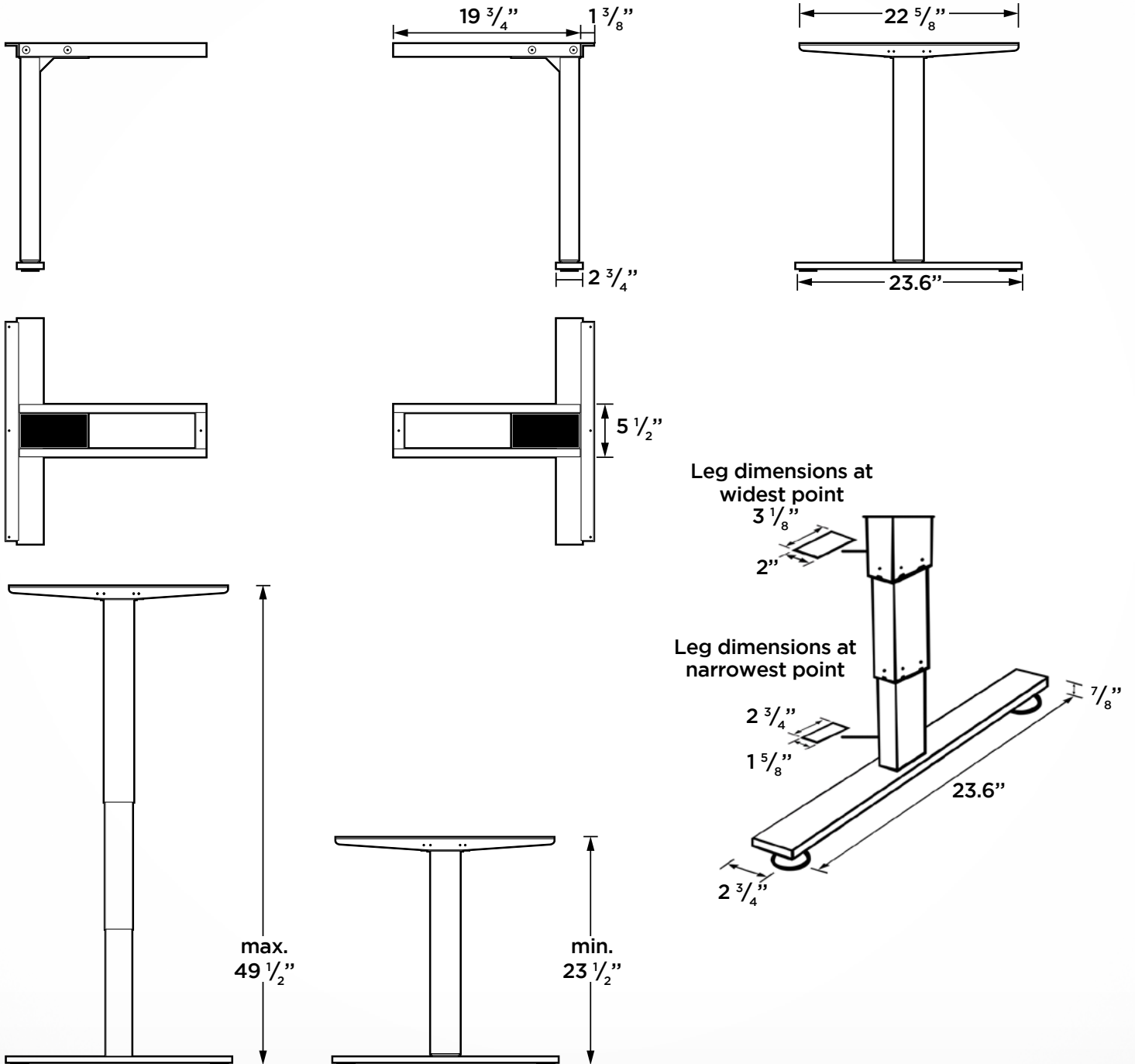


www.upliftdesk.com

800-349-3839 | info@upliftdesk.com

UPLIFT DESK® FRAME COLOR AND STYLE

UPLIFT Standard T-Frame w/ short feet - pairs with 60" x 24", 72" x 24", & 80" x 24" desktops



UPLIFT DESK[®] FRAME COLOR AND STYLE

UPLIFT Narrow T-Frame with short feet - pairs with 36" x 24" and 48" x 24" desktops

