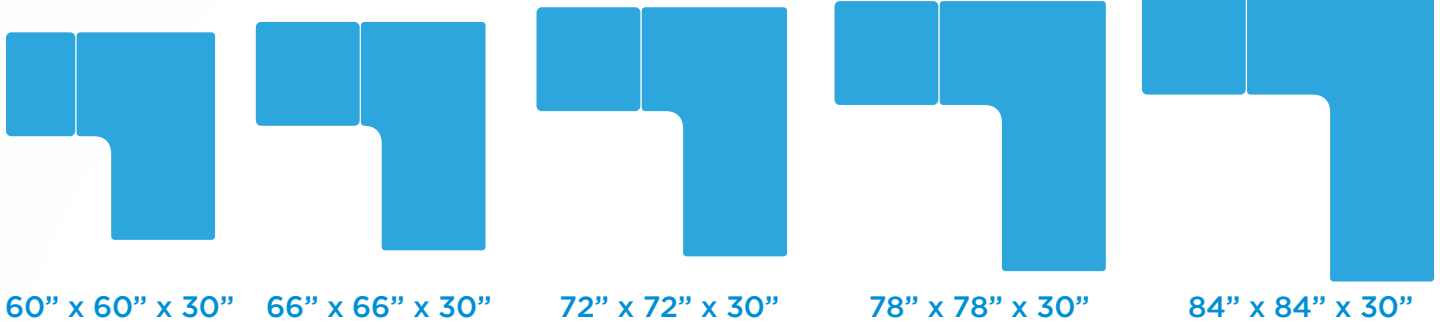


# UPLIFT DESK®

## L-SHAPED LAMINATE SIZE



We offer L-shaped desktops in five standard sizes:

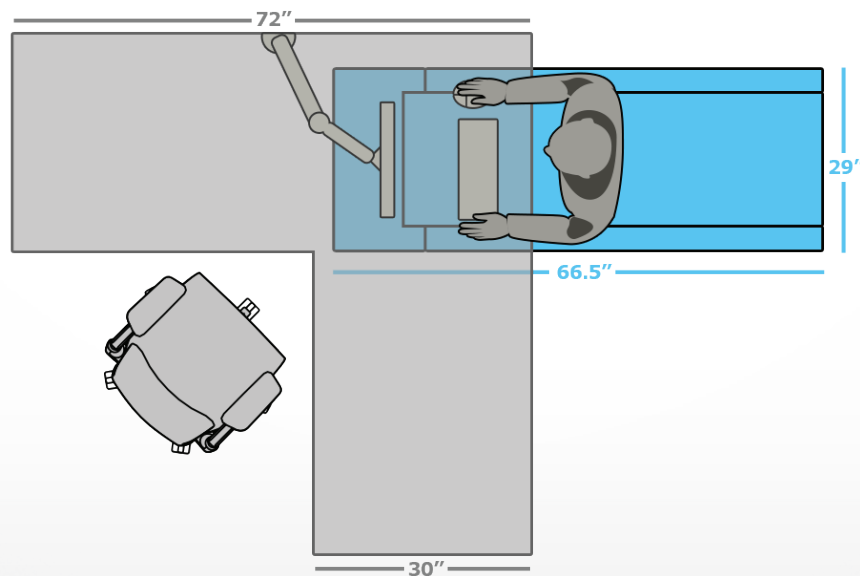


If you need a custom size not listed, please call us at 800.349.3839 or email us at [info@upliftdesk.com](mailto:info@upliftdesk.com) for a quote.

All tops are made with two pieces: the large main section and a smaller extension piece. You'll use the included connecting hardware during assembly for a secure fit, and include the frame crossbar piece beneath the two desktop sections. Once assembled, the desktop is an equal corner shape.

### Adding a Treadmill

If you plan to add a treadmill to your L-shaped workstation, quite a bit of additional space is required. In order to provide room for a chair at the inside of your desk, you'll need to place your treadmill on the outside. You will also need a monitor arm for this configuration:



# UPLIFT DESK® L-SHAPED LAMINATE SIZE

Desk frames feature a telescoping crossbar that accommodates a variety of desktop sizes. If you change from a smaller to a larger top in the future, or vice versa, no problem. UPLIFT will stick with you for years to come!

