

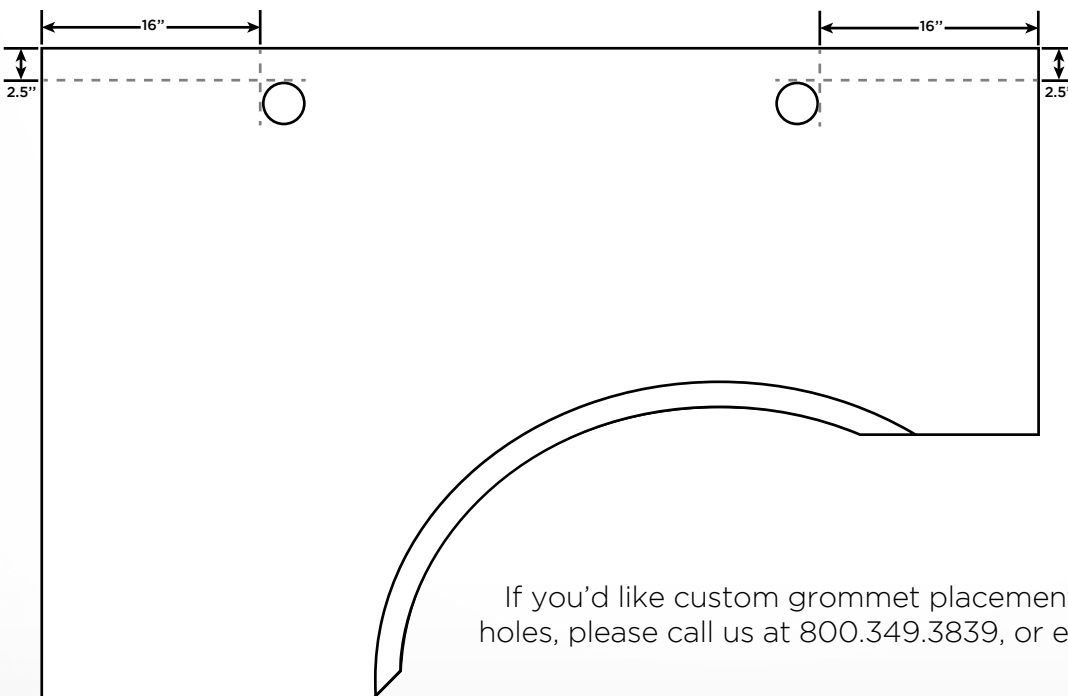
UPLIFT DESK®

GROMMET HOLES



We provide two different grommet options to allow you to organize your cables according to your desk set-up. Wire grommets allow for through-desk cable routing, and feature a black cover with flip-top tabs that cover the cord slot when not in use.

You can also choose a power grommet to add extra outlets to your desktop, giving you easy outlet access for peripherals such as a phone charger or a desk lamp. Power grommets have two UL-approved built-in power outlets, as well as a small hole to feed other cables through. Each power grommet has two 58" cords that can be plugged into a wall outlet or a power strip.



The UV-cured recycled wood desktops can be ordered with no grommet holes, two wire grommets, two power grommets or one of each.

If you'd like custom grommet placement or additional grommet holes, please call us at 800.349.3839, or email info@upliftdesk.com.

