

UPLIFT DESK®

CPU HOLDER

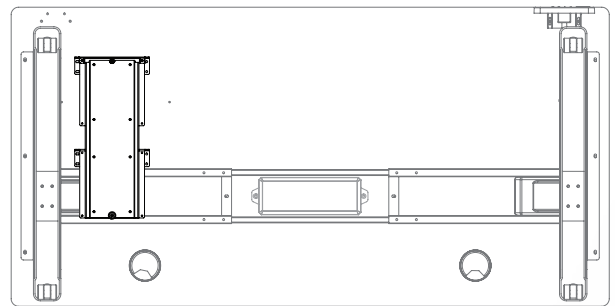
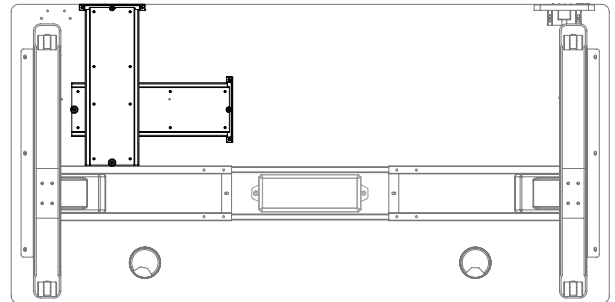


The UPLIFT CPU Holder mounts to the underside of your desktop on a 16" track. The mechanism swivels 360° for easy access to ports. Mounting your CPU under the desktop frees up desk space, prevents stretching of cords, and keeps your CPU cool and dust-free.

Designed by our Certified Professional Ergonomist, the UPLIFT CPU Holder accommodates a wide range of CPU sizes weighing up to 50 pounds, and features a durable powder-coated steel frame. See the diagrams below for suggested placement.

The 16" track can be mounted front-to-back or side-to-side under your desktop. Depending on the size of your desk, it may be a tight squeeze in some cases.

Using a track spacer lets you install the 16" track over your desk's crossbars, giving you more freedom to mount under-desk accessories like CPU holders and keyboard trays.



Weight capacity	50 lbs
CPU width	Accommodates 3.75" - 8.25" W
CPU height	Accommodates 12" - 20.5" H
Track length	16" L
Swivel at mount	360°
Warranty	5 years

