

TABLIK®

Flexible Articulating Tablet Arm



Meet Tablik...®

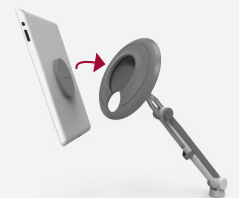
a height adjustable articulating tablet arm that clamps to desk or suspends above your monitor, allowing your tablet to be easily positioned for comfortable viewing or typing.

Tablik easily connects to any iPad®, tablet or tablet case with a simple to use "grab-and-go" interface.

HOW IT WORKS

Attach the Tablik® disc to **any tablet or tablet case**. The disc uses a gel adhesive that holds strongly to your device, yet removes cleanly—leaving no residue.

The embedded magnet allows for an instant, one-handed attach and release.



One-handed positioning



Height adjustable



Flexible extension arm



Grab-and-go interface



Works with all tablets and tablet cases

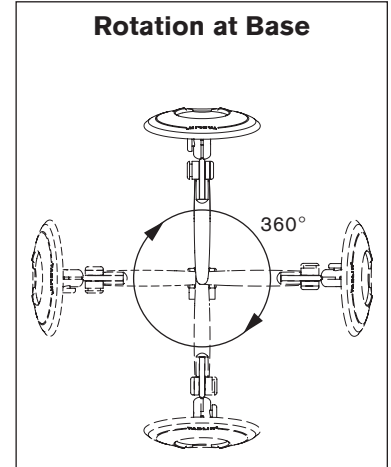
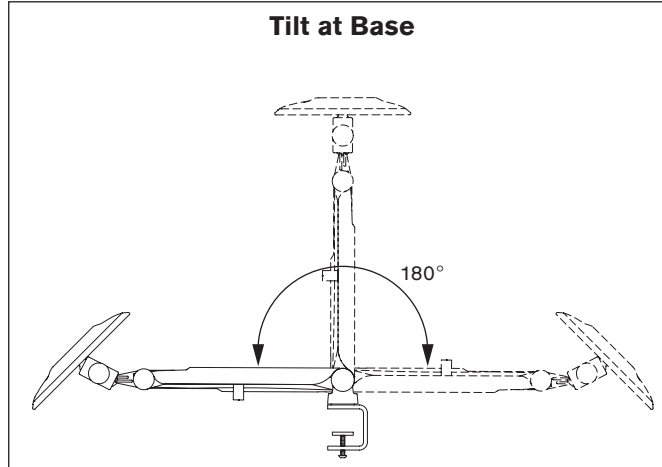
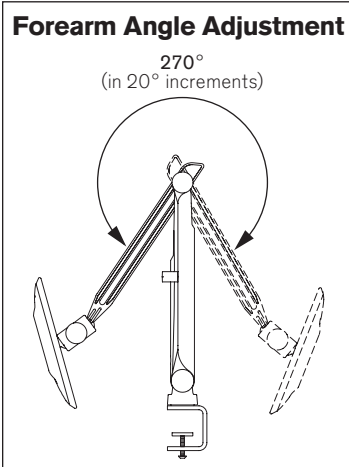
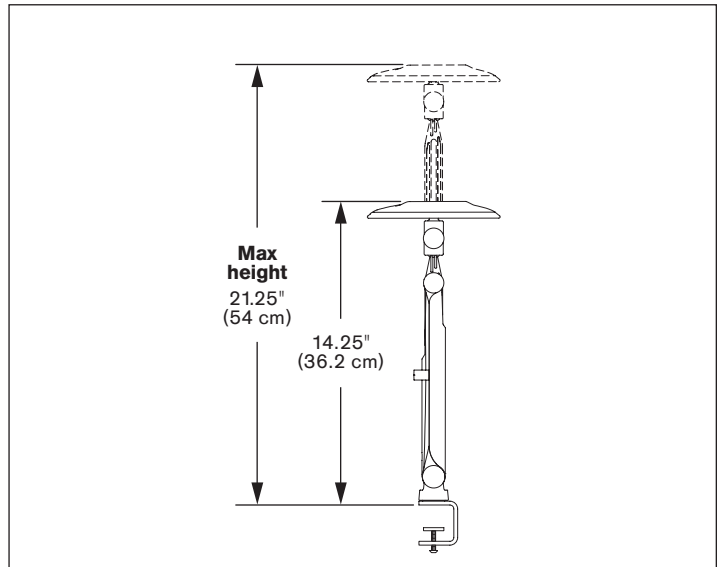
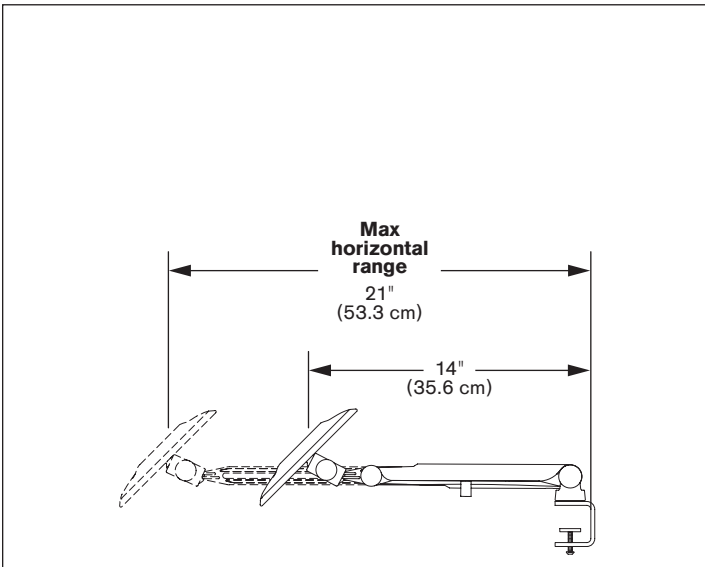


Clamps to desk edge



VESA mount option available for dual screen computing

TABLIK®



TBLK-DC CAPABILITIES

Vertical range.....	21.25" (54 cm)
Horizontal range.....	21" (53.3 cm)
Arm rotation.....	360° at base, 270° at forearm axis
Tablet tilt & pan.....	45° in any direction from center
Tablet rotation.....	360°
Cable management.....	Cables clip beneath arm
Tablet compatibility.....	Supports tablets and tablet cases up to 3 lbs (1.4 kg)

MOUNT

