

Remove all items from the carton . Verify all pieces before assembly.

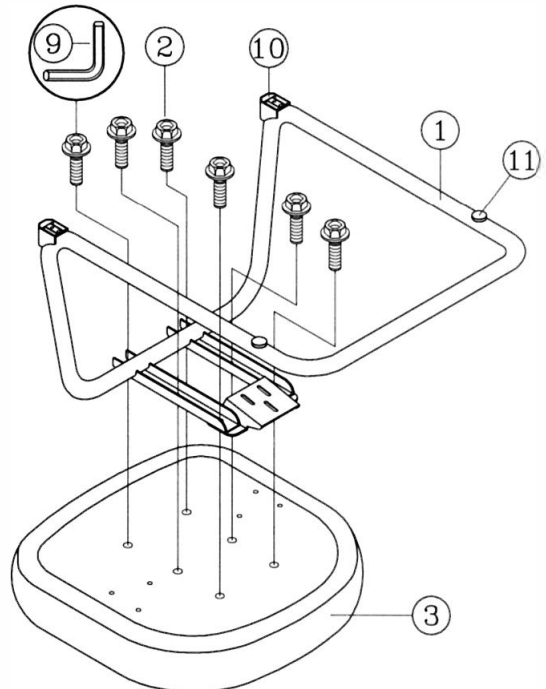
## PART LIST

KEY	QTY	DESCRIPTION
1	1	Sled Base
2	6	Sled Base Screw 6x24mm
3	1	Seat
4	1	Backrest
5	3	Back Attachment Bolt 8x20mm + Washer
6	2	Armrest
7	6	Armrest Screw 6x24mm
8	1	Backrest Tightening Screw 8x23mm
9	1	M5 Size Allen Wrench
10	2	Front Bumpers
11	2	Button Glides

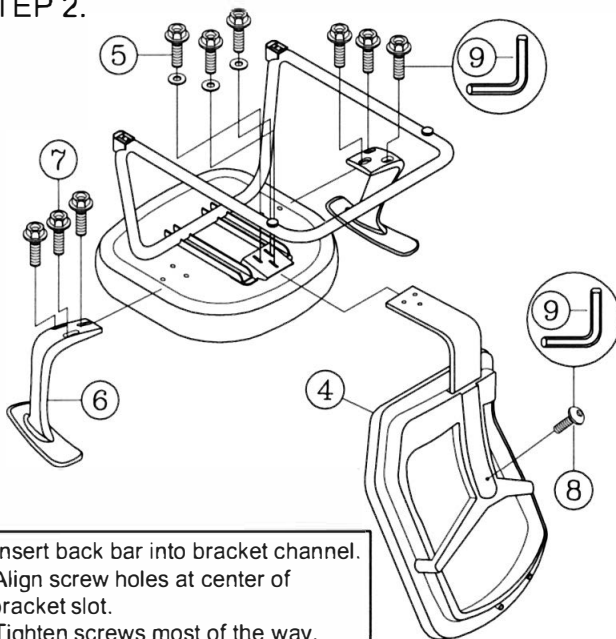
### PREVENTIVE MAINTENANCE AND WARNING!

- USE THIS PRODUCT ONLY FOR SEATING ONE PERSON AT A TIME.
- DO NOT USE THIS CHAIR AS A STEP STOOL / LADDER.
- DO NOT SIT ON ANY PART OF THE CHAIR EXCEPT THE SEAT.
- DO NOT USE CHAIR ON UNEVEN FLOOR SURFACES.
- DO NOT USE CHAIR UNLESS ALL BOLTS, SCREWS AND KNOBS ARE TIGHTENED.
- **EVERY SIX MONTHS, PLEASE MAKE SURE ALL BOLTS, SCREWS AND KNOBS ARE FULLY TIGHTENED TO ENSURE STABILITY.**
- IF ANY PARTS ARE MISSING, BROKEN, DAMAGED OR WORN, STOP USE OF THE PRODUCT UNTIL REPAIRS ARE MADE USING FACTORY AUTHORIZED PARTS.
- DISPOSE OF PACKAGING PROPERLY. PLASTIC BAG IS NOT A TOY. DO NOT USE PLASTIC BAG AS HEAD COVERING - IT MAY CAUSE SUFFOCATION.
- FAILURE TO FOLLOW THESE WARNINGS COULD RESULT IN SERIOUS INJURY.
- NOTE:SOME SCREWS MAY BE PREASSEMBLED. IF PREASSEMBLED, IGNORE ASSEMBLY INSTRUCTIONS.

## STEP 1.



## STEP 2.



- Insert back bar into bracket channel.
- Align screw holes at center of bracket slot.
- Tighten screws most of the way, but not completely.
- Slide back bar to desired back position and then tighten screws fully.
- When correctly assembled, 3 back bar screws should be flush with the bracket.

