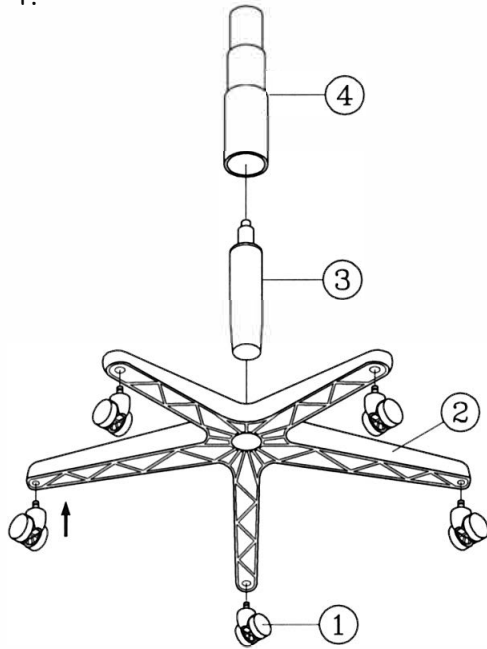


Remove all items from the carton . Verify all pieces before assembly.

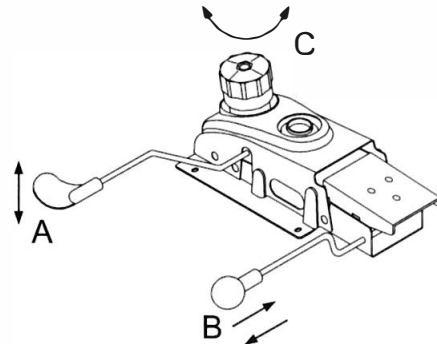
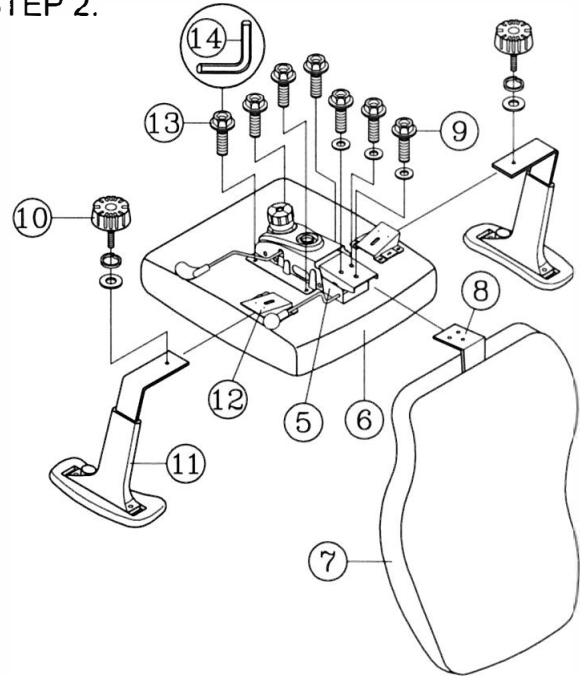
PART LIST

KEY QTY	DESCRIPTION	KEY QTY	DESCRIPTION	KEY QTY	DESCRIPTION	
1	5	Caster	7	1	Backrest	
2	1	Base	8	1	Backrest Plate	
3	1	Seat Post	9	3	Backrest / Mechanism Bolt 8x20mm + Washer	
4	1	Seat Post Cover				
5	1	Mechanism	10	2	Arm Width Adjustment Knob + Washers	
6	1	Seat				
				11	2	Armrest
				12	2	Arm Bracket
				13	4	Mechanism Screw 6x24mm
				14	1	M5 Size Allen Wrench

STEP 1.



STEP 2.



MECHANISM INSTRUCTIONS :

(A) SEAT HEIGHT ADJUSTMENT :

Pull lever up and downward. Release lever when desired position is reached.

(B) BACK TILT ADJUSTMENT :

Pull lever horizontally. Move backrest to tilt. To lock in upright position, push lever in.

(C) TILT TENSION ADJUSTMENT KNOB :

Rotate knob clockwise / counterclockwise to adjust tilt tension based on body weight.

PREVENTIVE MAINTENANCE AND WARNING!

- USE THIS PRODUCT ONLY FOR SEATING ONE PERSON AT A TIME.
- DO NOT USE THIS CHAIR AS A STEP STOOL / LADDER.
- DO NOT SIT ON ANY PART OF THE CHAIR EXCEPT THE SEAT.
- DO NOT USE CHAIR ON UNEVEN FLOOR SURFACES.
- DO NOT USE CHAIR UNLESS ALL BOLTS, SCREWS AND KNOBS ARE TIGHTENED.
- EVERY SIX MONTHS, PLEASE MAKE SURE ALL BOLTS, SCREWS AND KNOBS ARE FULLY TIGHTENED TO ENSURE STABILITY.

- IF ANY PARTS ARE MISSING, BROKEN, DAMAGED OR WORN, STOP USE OF THE PRODUCT UNTIL REPAIRS ARE MADE USING FACTORY AUTHORIZED PARTS.
- DISPOSE OF PACKAGING PROPERLY. PLASTIC BAG IS NOT A TOY. DO NOT USE PLASTIC BAG AS HEAD COVERING - IT MAY CAUSE SUFFOCATION.
- FAILURE TO FOLLOW THESE WARNINGS COULD RESULT IN SERIOUS INJURY.
- NOTE: SOME SCREWS MAY BE PREASSEMBLED. IF PREASSEMBLED, IGNORE ASSEMBLY INSTRUCTIONS.