

HealthPostures Products



Stance
move
5000 Stance Move



Optional
5010 Stance Move
Seat Extension



Stance
move
5050 Stance Move EXT



TASKMATE
Go
6300 TaskMate Go



TASKMATE
Journey
6200 TaskMate
Journey



TASKMATE
Executive
6100 TaskMate
Executive

**TaskMate Journey
Optional Accessories**



6142 Copy/Phone
holder



Surface
TASKMATE
6252
Surface TaskMate



6912 Dual Monitor
with Articulating Arm



Surface
TASKMATE
6254
Surface TaskMate

6915 Notebook hold-
er and Monitor Arm

TASKMATE™ EZ

Owners Manual



Congratulations

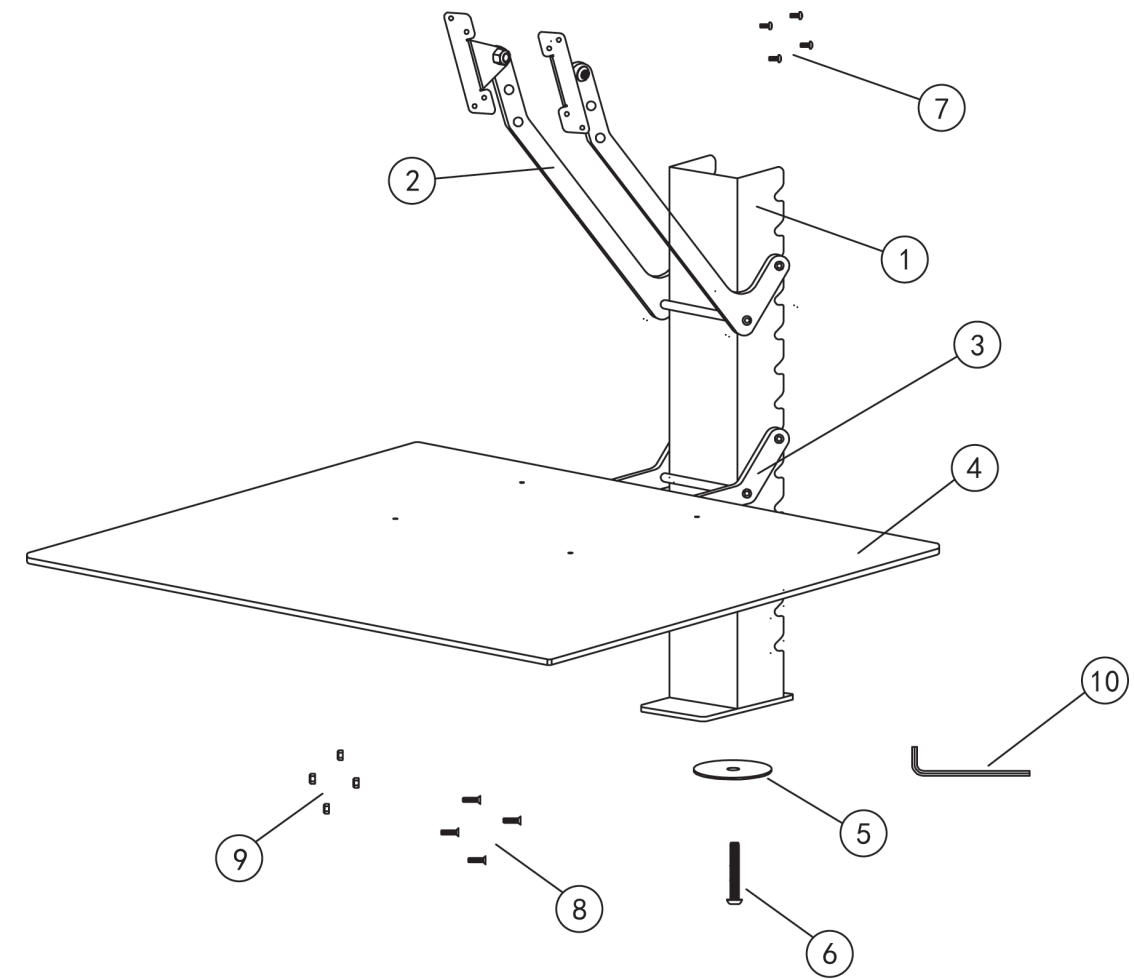
This manual is an integral part of your TaskMate EZ and should be read thoroughly by anyone that will be operating the unit. This will ensure the TaskMate EZ is properly used in a manner that is most beneficial.

It is important and necessary that you inspect your TaskMate EZ periodically to assure that it is in safe operating condition. Minor adjustments can be made by the operator. Replacement of worn parts, major adjustments or any other important corrections should be handled by an authorized dealer or service center. To ensure safety and performance only HealthPostures approved replacement parts should be used.

Date Purchased _____

Serial Number _____

Congratulations on your purchase of the TaskMate EZ. HealthPostures has designed the TaskMate EZ with you in mind. What you are about to experience will change the way you work and feel at your computer. Since the TaskMate EZ may be a new concept to you, using the TaskMate EZ may take some getting used to. Be patient, have fun, experiment.



TaskMate EZ Lift

| Item # | Item Description |
|--------|--|
| 1 | Vertical Tube Weldment |
| 2 | Monitor Mounting Bracket |
| 3 | Table Top Mounting Bracket |
| 4 | Table Top |
| 5 | Mounting Washer |
| 6 | Mounting Bolt |
| 7 | Monitor Mounting Screws |
| 8 | Table Top Mounting Screws |
| 9 | Table Top Lock Nuts |
| 10 | Allen Wrench For Mounting & Monitor Adjustment |

TaskMate EZ warranty.

The warranty is extended to the original purchaser/customer and commences on the purchase date the seller/dealer. HealthPostures (HP) warrants its TaskMate EZ to be free from defects in materials or workmanship for a period of 5 years.

What is not covered by this warranty:

- Normal wear and tear
- Alteration or modification of the product
- Abuse, misuse, or accident
- Damage resulting from shipment or storage

Written notice of the defect must be given to HP within the applicable warranty period. Any product proven to (HP) satisfaction to be defective and within warranty period shall be repaired or replaced at HealthPostures' option. Only HealthPostures approved components validate this warranty. This warranty does not include any labor charges incurred in replacement parts installation. Freight charges to factory are at the expense of consumer to seller. Return freight charges will be prepaid by (HP). No credit will be given for any repairs to damaged or defective items without the prior approval of HealthPostures. HealthPostures reserves the right to require that any such item be returned to the factory for inspection.

THIS WARRANTY IS THE ONLY WARRANTY MADE BY HEALTHPOSTURES, AND ALL OTHER WARRANTIES, INCLUDING IMPLIED WARRANTIES OF MARKETABILITY AND FITNESS FOR A PARTICULAR PURPOSE ARE HEREBY DISCLAIMED. DAMAGE RESULTING FROM MISUSE, NEGLIGENCE, ACCIDENT OR ALTERATIONS ARE EXCLUDED AND WILL NOT BE PAID. HEALTHPOSTURES WILL NOT BE LIABLE FOR ANY CONSEQUENTIAL OR INCIDENTAL DAMAGES WHATSOEVER.

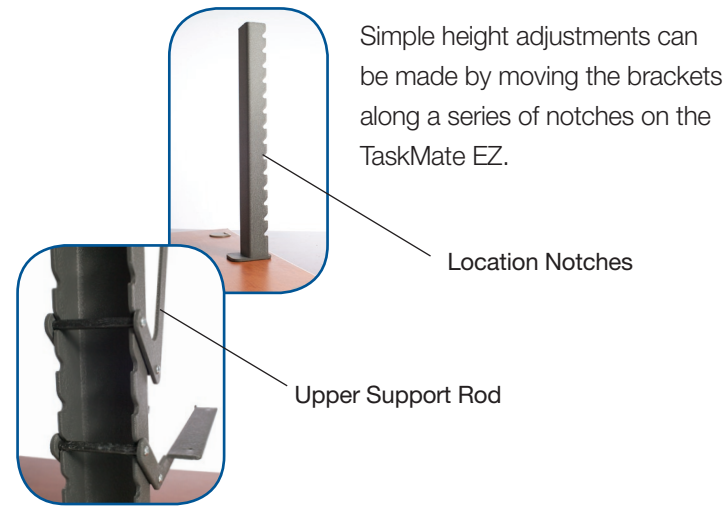
Safety Precautions & Maintenance

Please be sure to read the entire contents of this manual before operating your new TaskMate EZ. This manual contains important information concerning safety, maintenance and proper use of the TaskMate EZ.

1. Check your TaskMate EZ periodically to make sure all bolts, fasteners and adjustable parts are tightened securely.
2. Clean the TaskMate EZ with mild, non-abrasive cleaners and/or soap and water.
3. Keep bystanders, children and visitors away from the TaskMate EZ while raising or lowering. Distractions can cause you to lose your focus on the surrounding area, and a hand, finger, or any other obstacle may be in harms way.



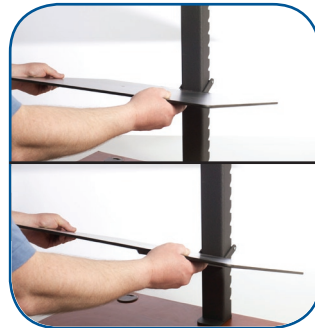
Adjustment & Installation



Simple height adjustments can be made by moving the brackets along a series of notches on the TaskMate EZ.

Table Top Adjustment

Grasp both sides of phenolic table top and lift upward with light forward pressure until the upper support rod detaches from the location notch. Then slide the arm up or down to the desired location and lock back into place.



Monitor Adjustment

Grasp both sides of the monitor and lift upward with light forward pressure until the upper support rod detaches from the location notch. Then slide the arm up or down to the desired location and lock back into place.

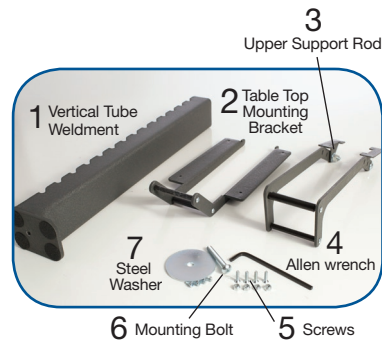


Monitor Tilt Adjustment

Grasp top and bottom of monitor and tilt screen angle up or down for easier viewing.



Tools required
#2 Phillips screwdriver
3/8" wrench or adjustable wrench



1. Attached phenolic table top to table mount with (4) 10-32 x 3/4" Phillips head screws and (4) 10-32 lock nuts supplied in hardware bag.
If optional table Clamp Accessory (part#6453) is to be used, disregard step 2 and refer to instruction manual included with Table Clamp Accessory.

2. Drill a 1/2" hole in the work surface at the desired mounting position. It is recommended that the TaskMate EZ be laid out and mounting hole position marked to ensure proper placement before drilling. In most instances it is optimal to mount TaskMate EZ so that front edge of phenolic table top is aligned with front edge of work surface.



3. Attach TaskMate EZ to work surface by inserting 3/8-16x2-1/2" bolt through center hole of 3" steel washer and thread up through threaded hole in vertical support mount from bottom side of work surface. Tighten bolt securely using supplied 7/32" Allen wrench.



4. Attach table top assembly and monitor mount assembly to Vertical Support Mount.



5. Fasten customer supplied monitor to TaskMate EZ monitor mount using (4) M4x0.7mm screws supplied in hardware bag.

Unique Features



Unique Features

1. Monitor Tilt Adjustment
2. Vesa Standard Monitor Mount
3. Independent Monitor Adjustment
4. Sturdy Steel Frame
5. Spacious Work Surface
6. Independent Work Surface Adjustment
7. Grommet Mount Attachment (optional desk clamp attachment available)

