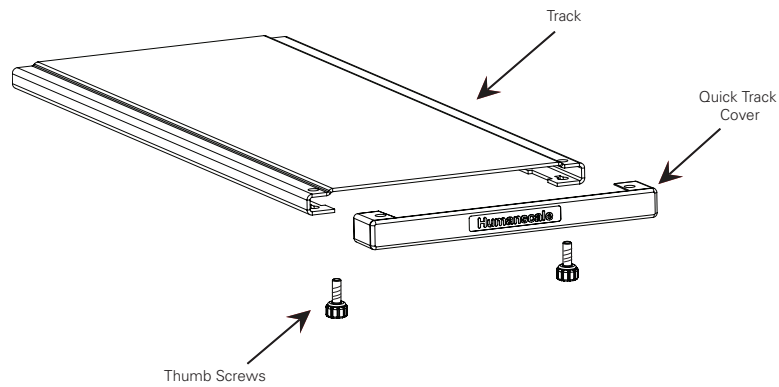


CPU600 Track Installation



Step 3:

Slide Quick Track Cover into Track.

Step 4:

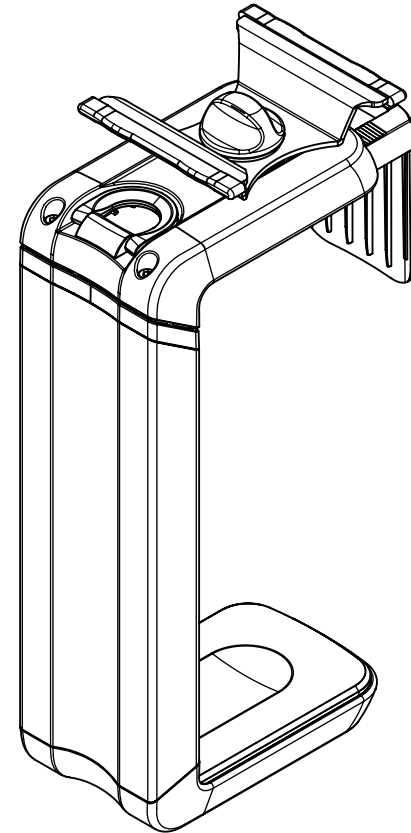
Use Thumb Screws to secure Quick Track Cover to Track. Your Quick Track system is now installed.

Removal:

To remove CPU600 from the Track, loosen Thumb Screws, remove Quick Track Cover, and slide unit off the Track.

CPU600

Installation Instructions



available at:



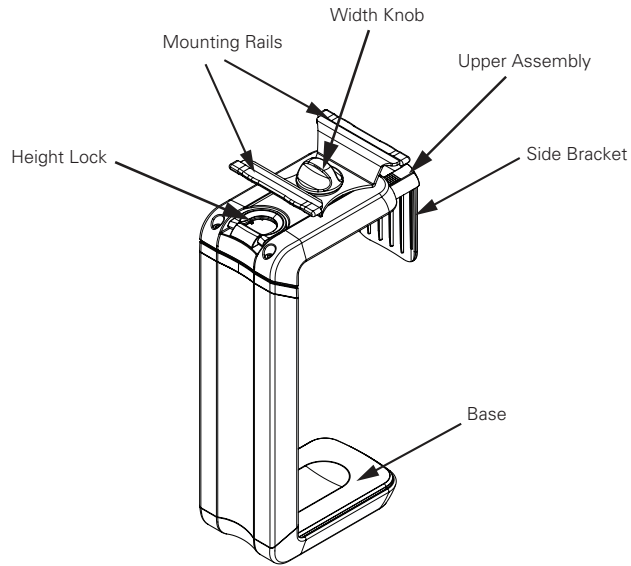
800.531.3746

info@thehumansolution.com
thehumansolution.com



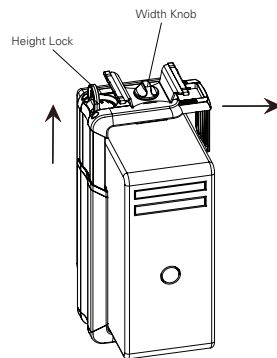
CPU600 Installation Instructions

CPU Installation



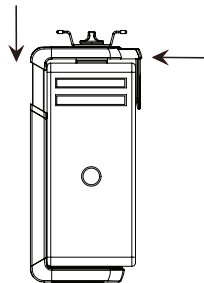
Step 1:

Loosen Width Knob and slide Side Bracket outward. Loosen Height Lock and slide Upper Assembly to highest position. Center CPU on the Base.

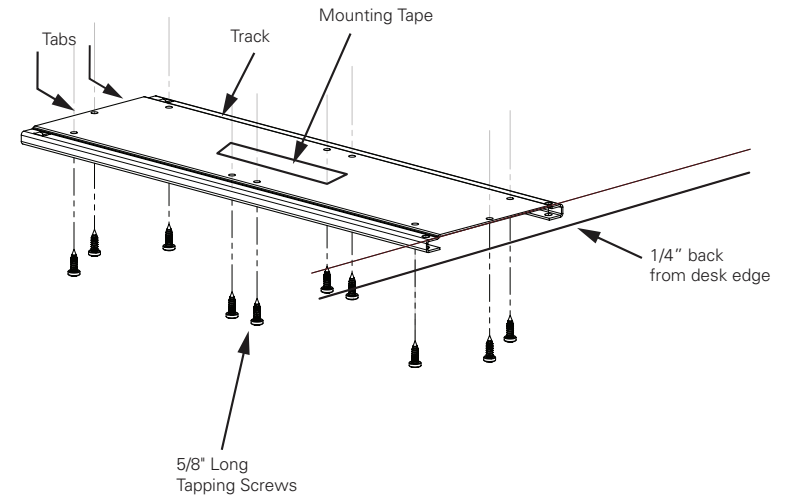


Step 2:

Lower Upper Assembly until it lightly touches top of CPU. Tighten Height Lock. Push Side Bracket inward until it fits tightly against CPU. Center Mounting Rails above CPU. Tighten Width Knob.



Track Installation



Step 1:

Position track approximately 1/4" from edge of desk with folded tabs facing away from desk edge. Using Mounting Tape, affix Track to underside of desk. Attach Track to desk using Tapping Screws.

Step 2:

Align Mounting Rails of the CPU600 with front edge of Track and slide unit into Track.

Track Installation, continued on back