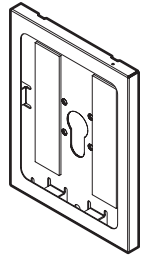


MODEL 8424 | Arm

Installation Instructions



1 Are you using an iPad™ 2? If not, skip to Step 2.

2

* Arm sold separately.

3

or

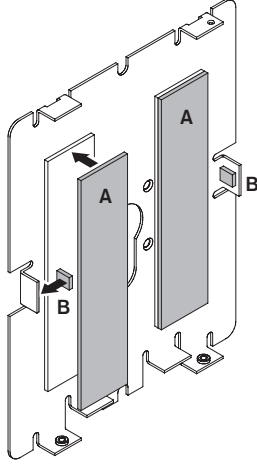
4

5

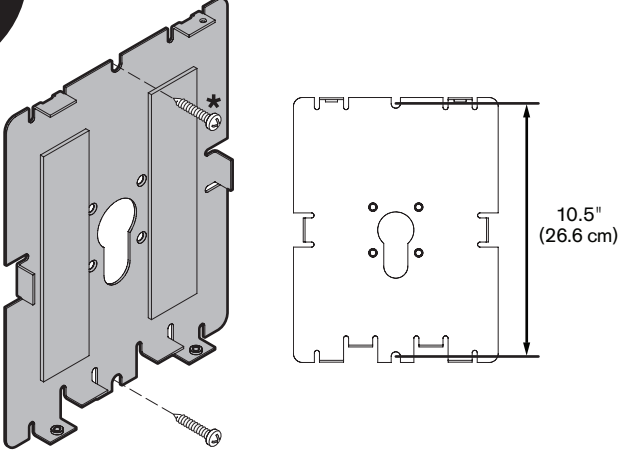
Sleep/Wake Button Access

MODEL 8424 | Wall Installation Instructions

1 Are you using an iPad™ 2? If not, skip to Step 2.



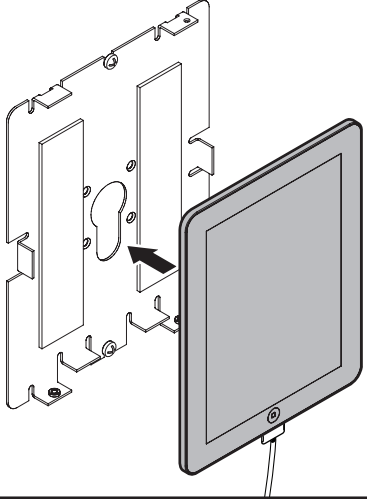
2



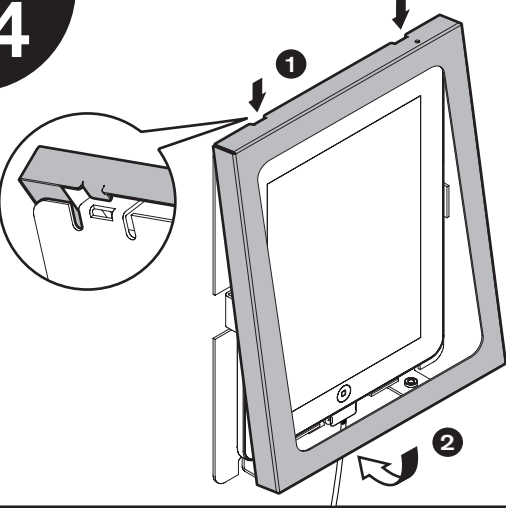
10.5"
(26.6 cm)

* Hardware not included.

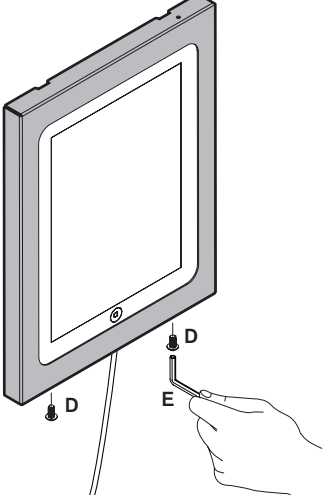
3



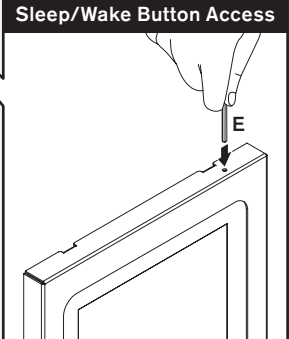
4



5

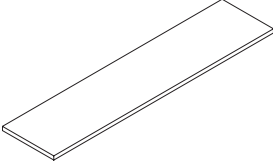

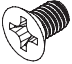

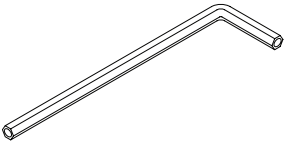


Sleep/Wake Button Access



MODEL 8424

Parts List

ITEM	DESCRIPTION / PART NO.	QUANTITY
A	 iPad™ 2 Back Bumper (adhesive-backed) 109662	2
B	 iPad™ 2 Side Bumper (adhesive-backed) 710051	2
C	 10-32 x 5/16" FPhMS 709648	4
D	 10-32 x 1/2", Pin-in-Hex, BHCS 702282	2
E	 5/32" Security Pin-in-Hex Key 701574	1

available at:

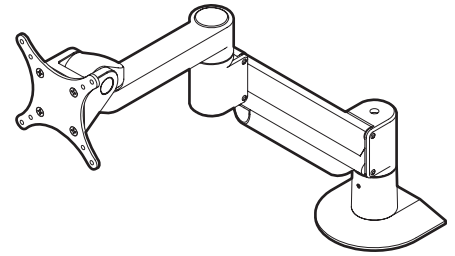


800.531.3746

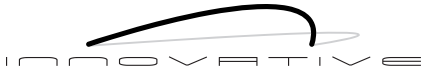
info@thehumansolution.com
thehumansolution.com

MODEL 7000

Installation Instructions




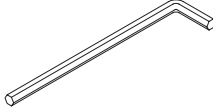

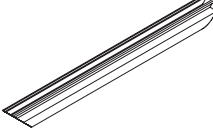
<p>1</p>	<p>2</p>	<p>3</p> <p><small>* Some monitors may require a spacer hardware kit. See page 2 for details.</small></p>
<p>4</p>	<p>5</p>	<p>6</p>
<p>7</p>	<p>8</p>	<p style="text-align: center;">?</p> <p style="text-align: center;">800.524.2744 www.LCDarms.com</p>



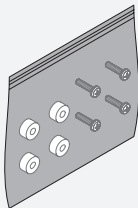
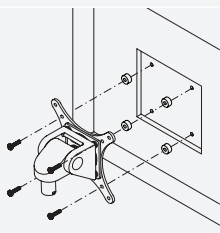
MODEL 7000

Parts List

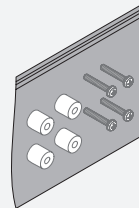
ITEM	DESCRIPTION / PART NO.	QUANTITY
A	 Monitor Tilter 405397	1
B	 75/100mm VESA® Adapter Plate 1 105587	1
C	 10-32 x 3/8" Phillips Pan Head Screw 1 702281 (4-pack)	1
D	 M4 x 12mm Phillips Pan Head Screw 1 702096 (4-pack)	1
E	 Dog Washer 105189	1

ITEM	DESCRIPTION / PART NO.	QUANTITY
F	 10-32 x 3/8" FPhMS w/Lock Patch 1 705198	1
G	 7/32" Allen Wrench 701127	1
H	 3/32" Allen Wrench 700146	1
I	 Cable Cap 102043-9.5	1

OPTIONAL SPACER KITS In some cases, the mounting surface on your monitor may be recessed further than permitted by VESA® standards. As a result, a spacer kit may be required.



.25" Spacer Hardware Kit
 (4) .25" Spacers
 (4) M4 x 18mm Phillips Pan Head Screws
 Order # P404923-B



.5" Spacer Hardware Kit
 (4) .5" Spacers
 (4) M4 x 25mm Phillips Pan Head Screws
 Order # P404923-C

available at:



800.531.3746
 info@thehumansolution.com
 thehumansolution.com

This product is protected by one or more of the following U.S. Patent Nos., and other United States and foreign patents applied for: 119,345, 119,346, 1,324,842, 2,470,525, 6,076,785, 6,273,383, 6,409,134, 6,478,274, 6,499,704, 6,505,988, 6,609,691, 6,19,606, 6,719,253, 6,726,167, 6,736,364, 6,783,105, 6,854,698, 6,915,994, 6,935,883, 6,965,328, 6,983,917, 6,986,489, 7,014,157, 7,017,874, 7,048,242, 7,059,574, 7,063,296, 7,066,433, 7,066,435, 7,389,965, 7,665,699, D435,852, D491,952, D492,893, D670,853, D675,293.

How do I counterbalance my arm?

1

IMPORTANT!

- Monitor must be on arm
- Arm must be in mount

Press the arm down to **approximately parallel** with the desk prior to turning the strength adjustment screw.

If the arm **drifts upward**, turn the adjustment screw **clockwise**.

If the arm **drifts downward**, turn the adjustment screw **counter-clockwise**.

Depending on the weight of your monitor, **you may have to make 15-20 turns**.

7/32" Allen Wrench

2

In some instances, further counterbalance adjustments are needed to allow the arm's instant height adjustment function to work properly.

If your arm is not staying in position after performing step 1, follow these steps:

With arm in raised position, tighten set screw **(A)**.

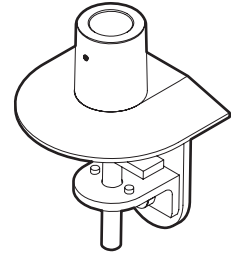
With arm in horizontal position, tighten set screw **(B)**.

Do not over tighten screws.

3/32" Allen Wrench

FLEXMOUNT™ 8111

Installation Instructions



Desk Clamp

- 1
- 2
- 3

Thru-Desk

8111-cup, 8251-cup, 8318-cup | 8111-thru, 8251-thru, 8318-thru

- 1
- 2

Wall Mount

- 1
- 2

* Hardware not included.

Reverse Wall Mount

8111-wall, 8251-wall, 8318-wall

- 1
- 2

* Hardware not included.

Grommet Hole

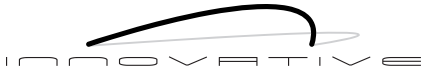
- 1
- 2
- 3

> 2.5"

Side Bolt

- 1
- 2

* Hardware not included.



FLEXMOUNT™ 8111

Parts List

ITEM	DESCRIPTION / PART NO.	QUANTITY
A	Mount Column 401328 <i>Model 7000, 7045, 3500, 3545</i> 8269 <i>Model 7500, iLift™, ArcView™ (9177 Series)</i>	1
B	Base Plate 406656 <i>Model 7000, 7045, 3500, 3545</i> 8321 <i>Model 7500, iLift™, ArcView™ (9177 Series)</i>	1
C	Large "L" Bracket 701117 <i>Model 7000, 7045, 3500, 3545</i> 702828 <i>Model 7500, iLift™, ArcView™ (9177 Series)</i>	1
D	Small "L" Bracket 701116	1
E	Rectangular Spacer 701544	1
F	3/8-16 x 1" Flat Socket Cap Screw 701124 <i>Model 7000, 7045, 3500, 3545</i> 701855 <i>Model 7500, iLift™, ArcView™ (9177 Series)</i>	1

ITEM	DESCRIPTION / PART NO.	QUANTITY
G	3/8-16 x 7/8" Flat Socket Cap Screw 701799	1
H	3/8-16 Nylon Stop Nut 701418	1
I	3/8-16 x 7/8" Button Socket Cap Screw 701122	1
J	3/8-16 x 2-1/2" Hex Head Bolt 700268	1
K	1/2-13 x 3" Socket Set Screw 701126	1
L	Foam Pad 701120 <i>Included with Model 7000 and 8111-cup only</i>	1

available at:



800.531.3746

info@thehumansolution.com
thehumansolution.com