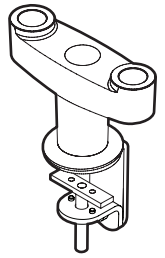


MODEL 8408

Installation Instructions



Desk Edge

1 **2** **3**

Thru-Desk

8408-thru 8408-cup

1 - or - **2**

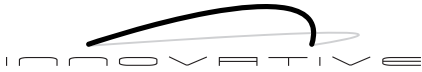
Grommet Hole

1 **2** **3**

Side Bolt

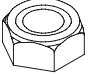
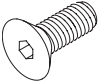
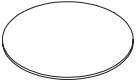
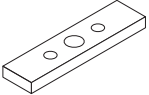
1 **2**

* Hardware not included.



MODEL 8408

Parts List

ITEM	DESCRIPTION / PART NO.	QUANTITY
A	3/8-16 Nylon Stop Nut 701418	1
		
B	3/8-16 x 1-1/4" Flat Socket Cap Screw 1 701855	
		
C	Foam Pad 1 701565 <i>Included with Models 8408 & 8408-thru only</i>	
		
D	3/8-16 x 7/8" Flat Socket Cap Screw 1 701799	
		
E	Rectangular Spacer 1 701544	
		

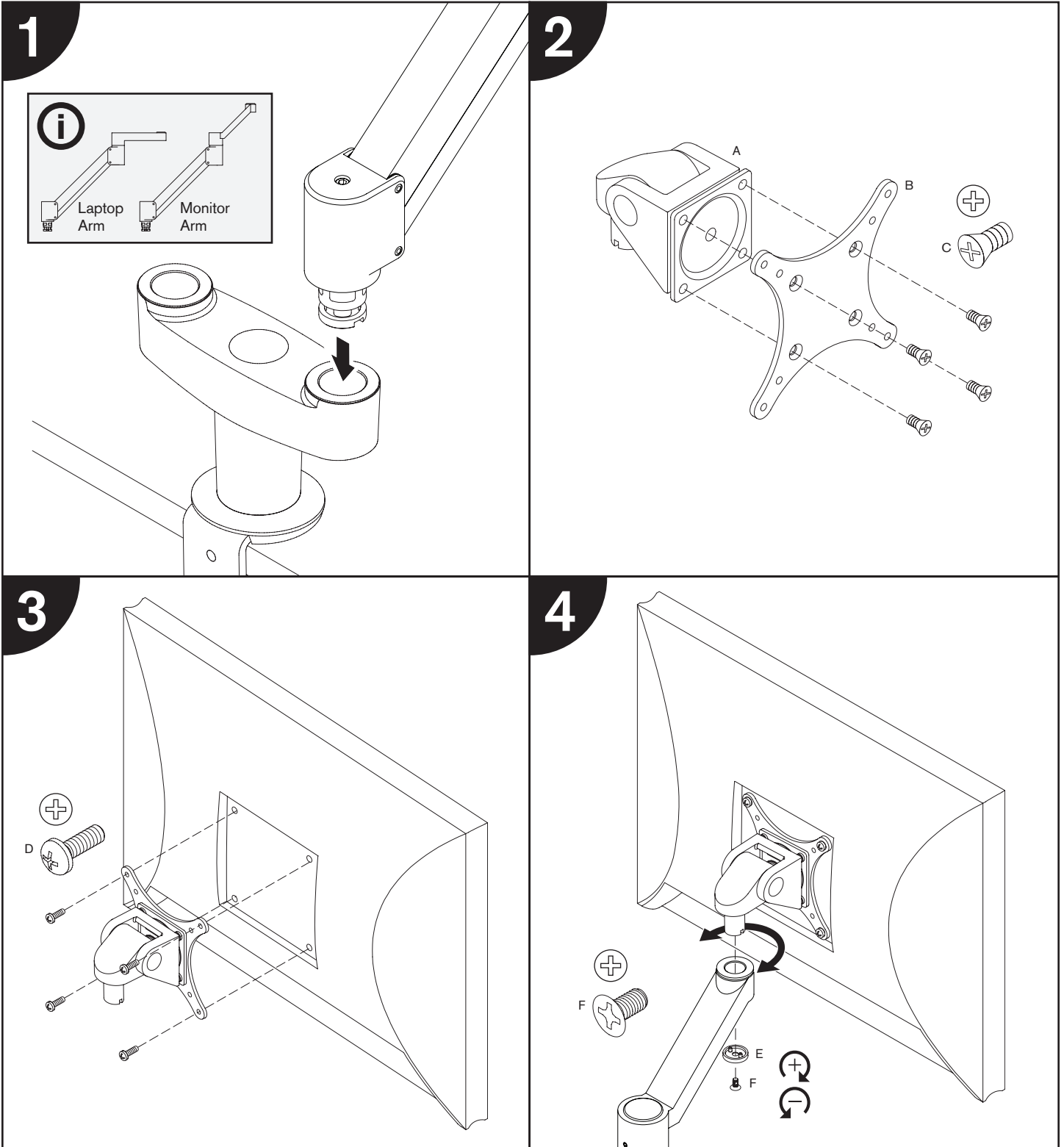
ITEM	DESCRIPTION / PART NO.	QUANTITY
F	1/2-13 x 3" Socket Set Screw 1 701126	
		
G	3/8-16 x 2-1/2" Hex Head Bolt 1 700268 <i>Included with Models 8408-thru & 8408-cup only</i>	
		
H	Foam Pad 1 701120 <i>Included with Model 8408-cup only</i>	
		
I	7/32" Allen Wrench 1 701127	
		

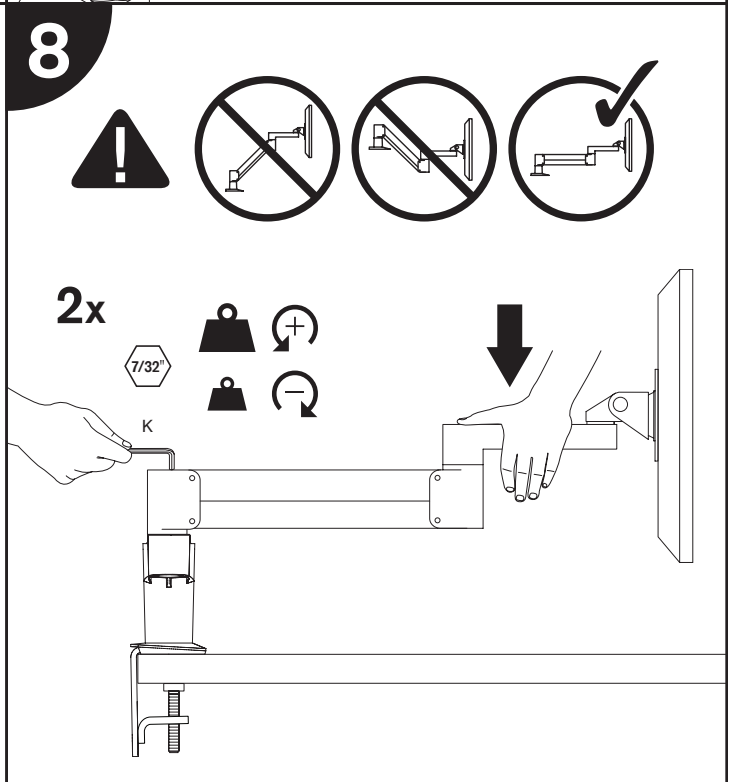
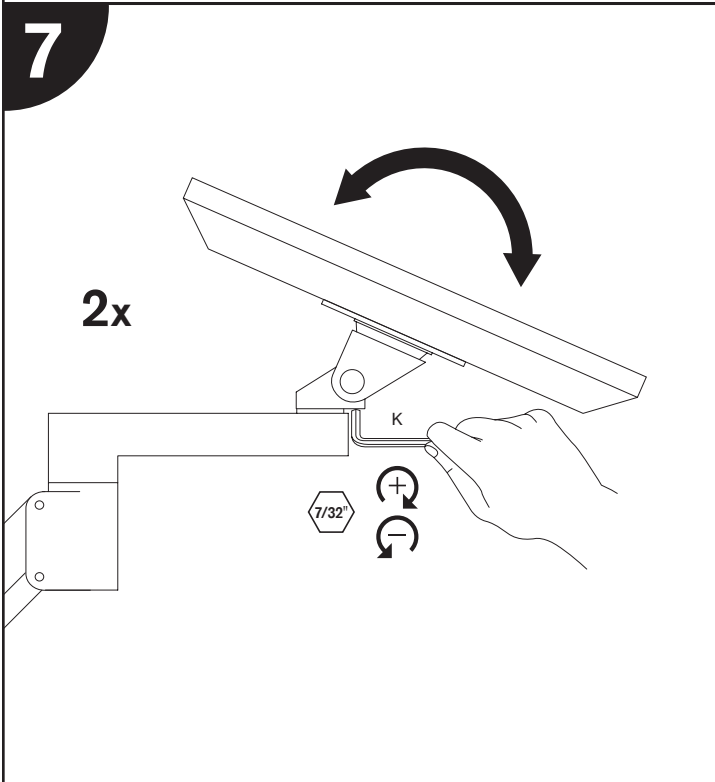
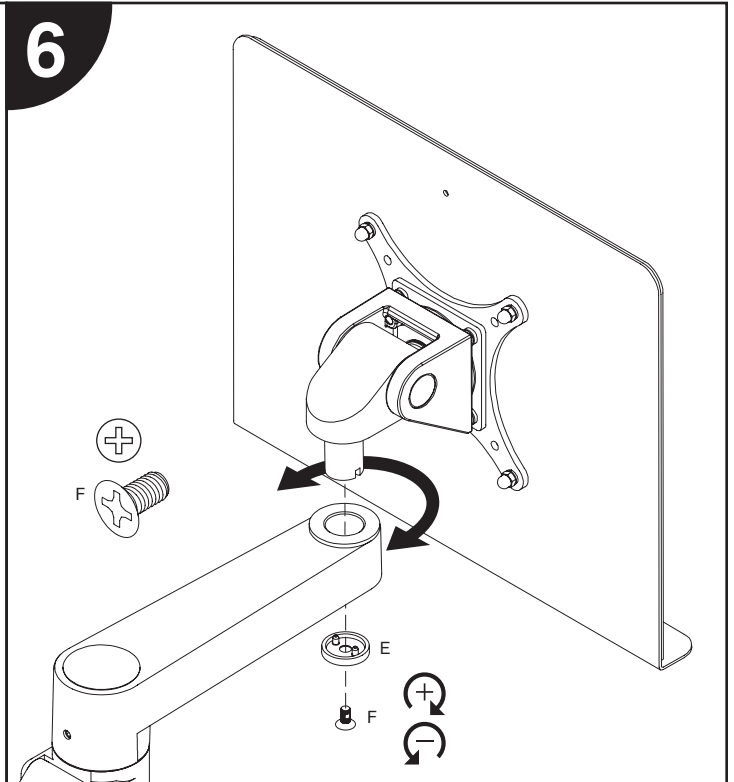
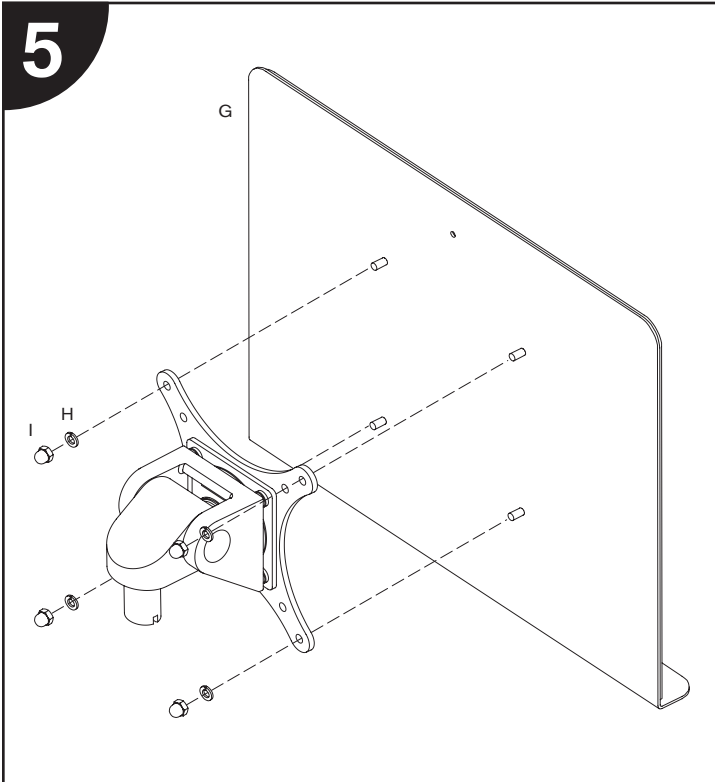


www.thehumansolution.com
info@thehumansolution.com
800.531.3746

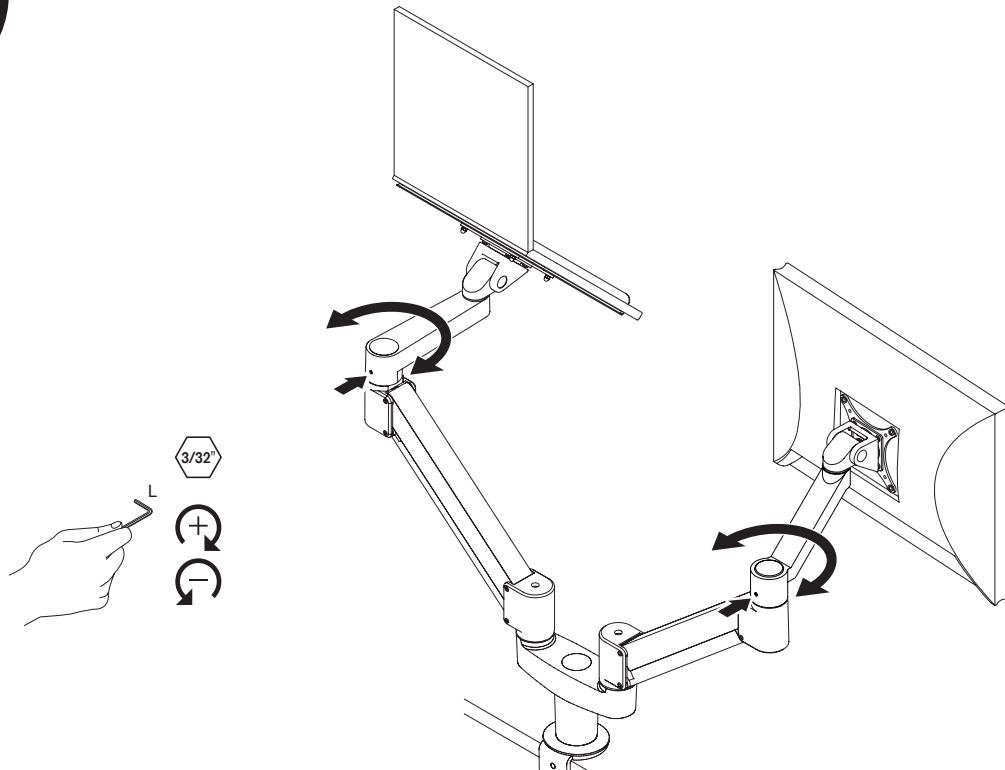
MODEL 7050

Installation Instructions

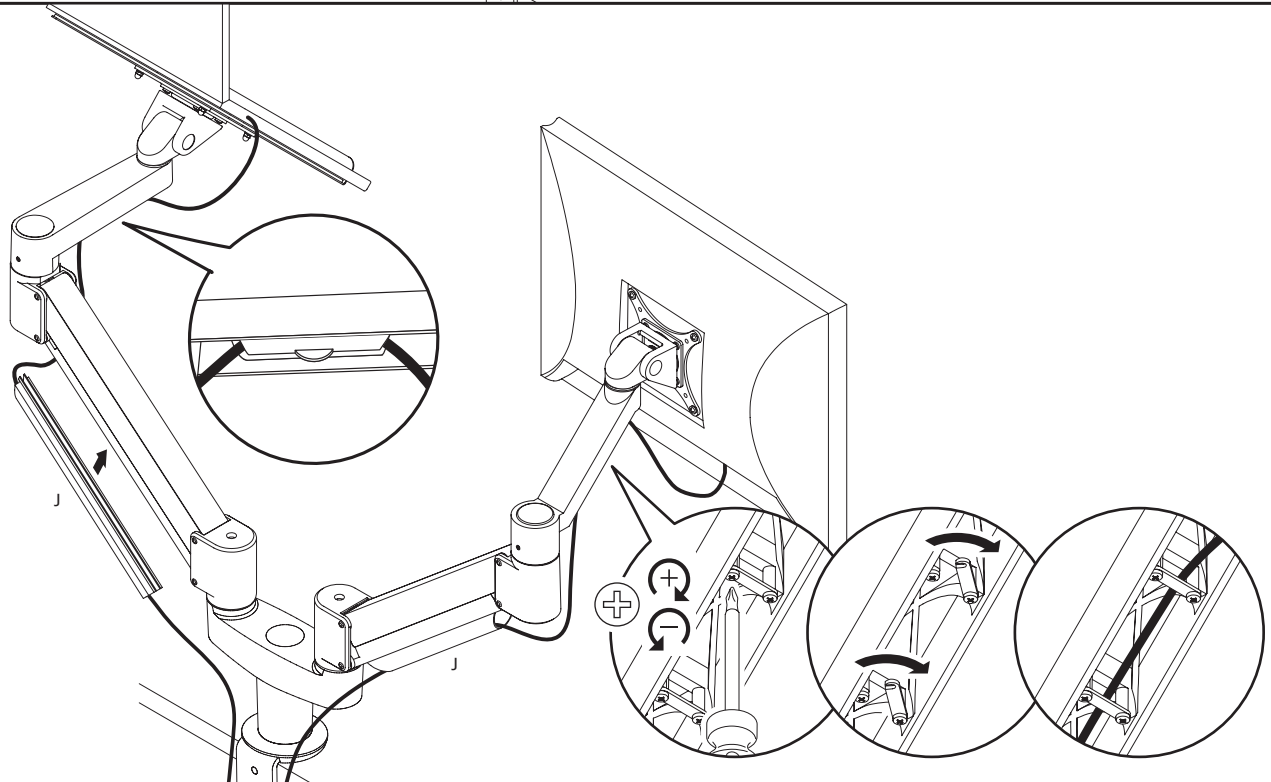




9

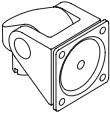


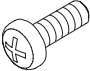
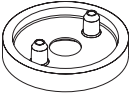



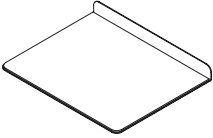


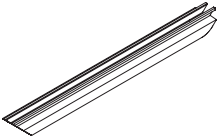
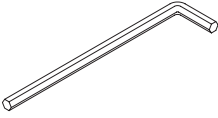

10



MODEL 7050

Parts List

ITEM	DESCRIPTION / PART NO.	QUANTITY
A 	Monitor Tilter 405397	2
B 	75/100mm VESA® Adapter Plate 2 105587	
C 	10-32 x 3/8" Phillips Pan Head Screw 2 702281 (4-pack)	
D 	M4 x 12mm Phillips Pan Head Screw 1 702096 (4-pack)	
E 	Dog Washer 105189	2
F 	10-32 x 3/8" FPhMS w/Lock Patch 2 705198	

ITEM	DESCRIPTION / PART NO.	QUANTITY
G 	Laptop Holder 8507	1
H 	Split Washer 701910	4
I 	Acorn Nut 705128	4
J 	Cable Cap 102043-9.5	2
K 	7/32" Allen Wrench 701127	1
L 	3/32" Allen Wrench 700146	1

How do I counterbalance my arm?

1

IMPORTANT!

- Monitor must be on arm
- Arm must be in mount

Press the arm down to **approximately parallel** with the desk prior to turning the strength adjustment screw.

If the arm **drifts upward**, turn the adjustment screw clockwise.

If the arm **drifts downward**, turn the adjustment screw counter-clockwise.

Depending on the weight of your monitor, **you may have to make 15-20 turns.**

2

In some instances, further counterbalance adjustments are needed to allow the arm's instant height adjustment function to work properly.

If your arm is not staying in position after performing step 1, follow these steps:

With arm in raised position, tighten set screw **(A)**.

With arm in horizontal position, tighten set screw **(B)**.

Do not over tighten screws.