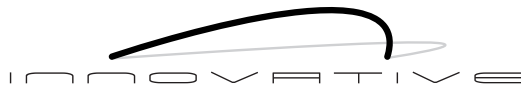
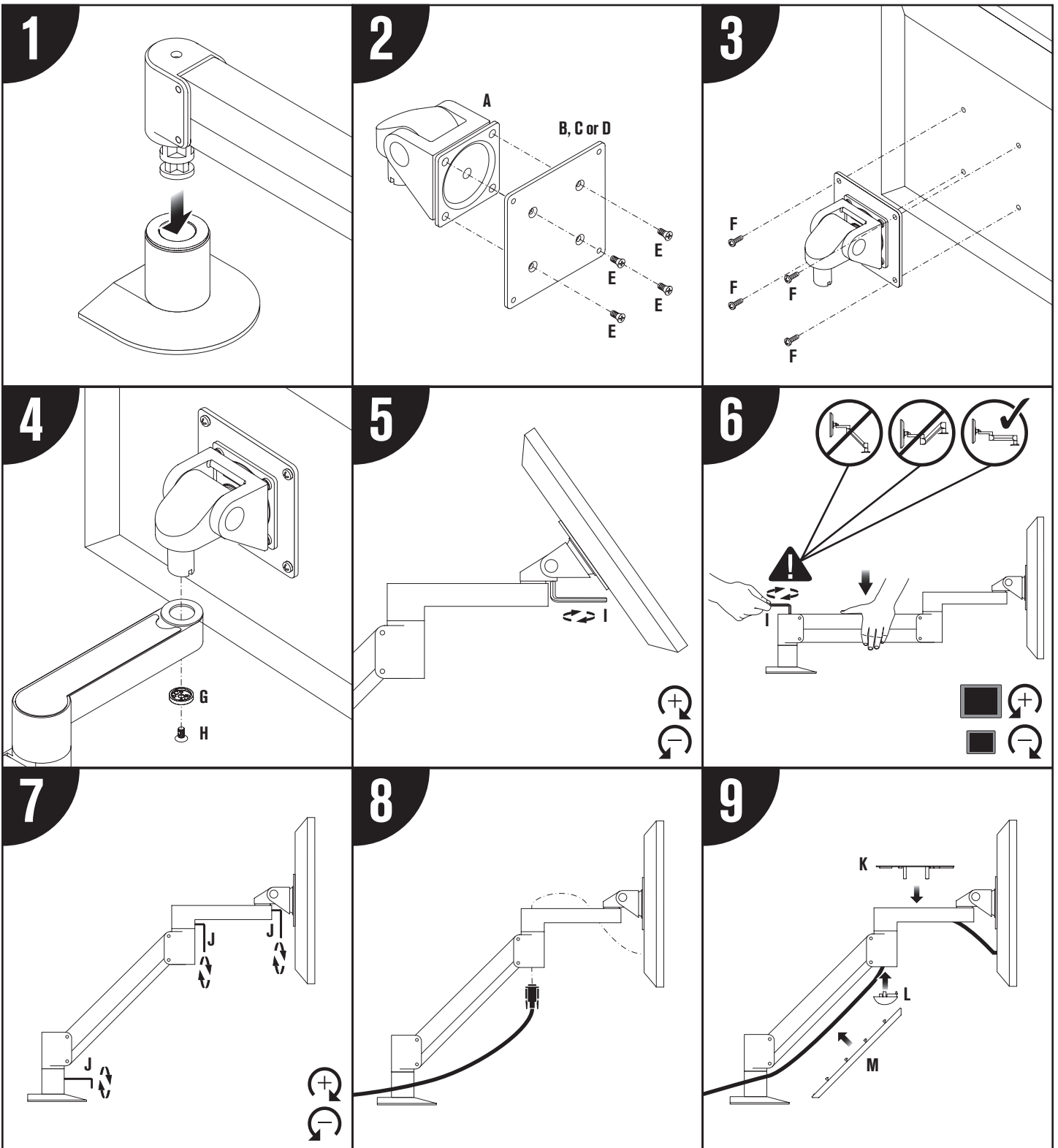

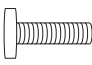


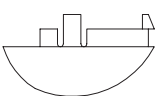


# Model 7500 Installation Instructions

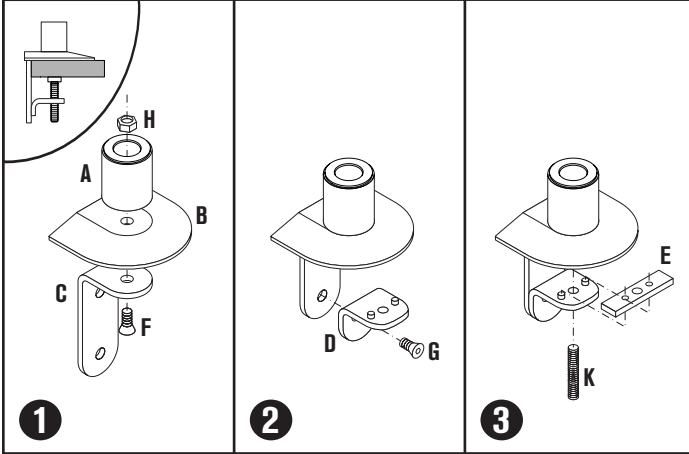


# Model 7500 Parts List

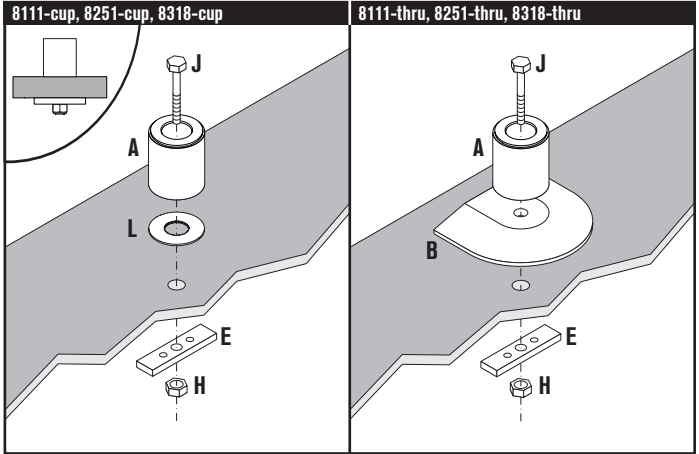
ITEM	DESCRIPTION / PART NO.	QUANTITY
A	 <b>Sloped Tilter</b> 405397 406795 - Model 7500-HD only	1
B	 <b>75 mm VESA Adapter Plate</b> 7VESA75	1
C	 <b>100 mm VESA Adapter Plate</b> 7VESA100	1
D	 <b>75 mm and 100 mm Starfish VESA Adapter Plate</b> 105587 - Model 7500-HD only	1
E	 <b>10-32 x 3/8" (9.525 mm) Phillips Flat Head Screw</b> 702281	1 (4-pack)
F	 <b>M4-12 Phillips Pan Head Screw</b> 702096	4
G	 <b>Dog Washer</b> 105189	1
H	 <b>10-32 x 3/8" (9.525 mm) FPhMS with Lock Patch</b> 705198	1
I	 <b>7/32" (5.563 mm) Allen Wrench</b> 701127	1
J	 <b>3/32" (2.388 mm) Allen Wrench</b> 700146	1
K	 <b>Forearm Cap</b> 702825	1
L	 <b>Endcap Bumper</b> 702829	1
M	 <b>Cable Cap</b> 702830	1

# FLEXmount™ Installation Instructions

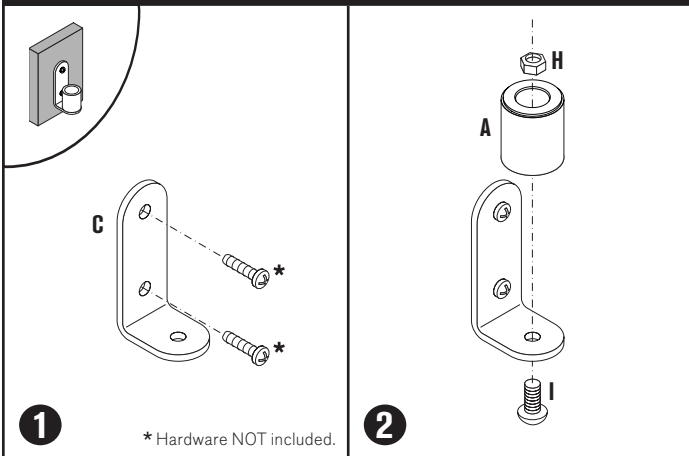
## Desk Clamp



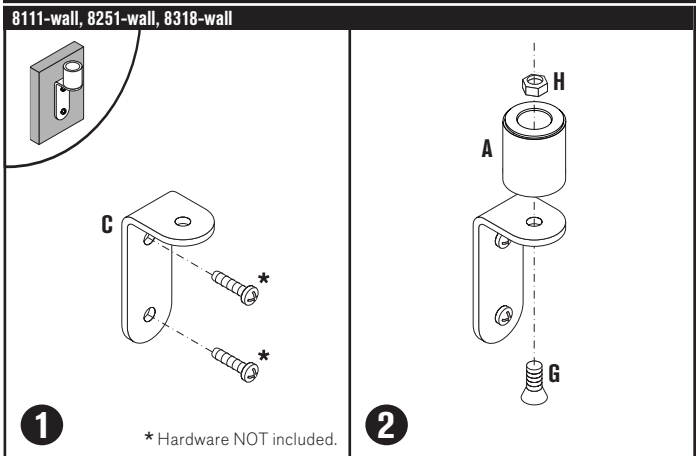
## Thru-Desk



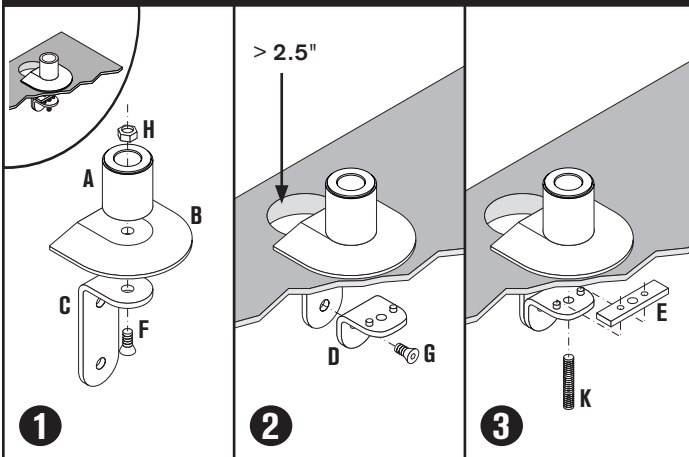
## Wall Mount



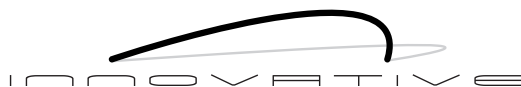
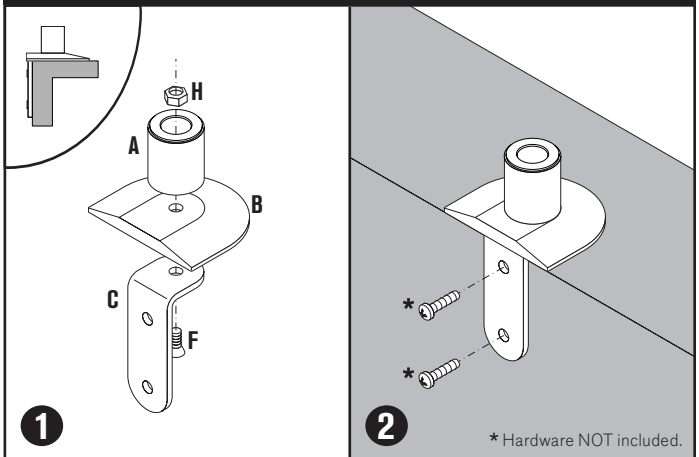
## Reverse Wall Mount




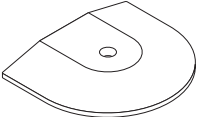
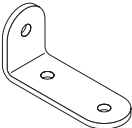
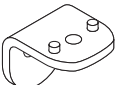
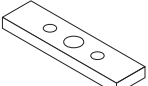
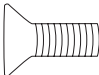
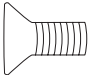

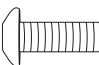
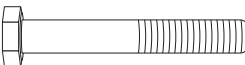


## Grommet Hole



## Side Bolt



# FLEXmount™ Parts List

ITEM	DESCRIPTION / PART NO.	QUANTITY
A	 <p><b>Mount Column</b> 401328 - Model 7000, Model 7045, Model 3500, Model 3545 8269 - Model 7500, iLift™, ArcView™ (9177-2 &amp; 9177-3)</p>	1
B	 <p><b>Base Plate</b> 401417 - Model 7000, Model 7045, Model 3500, Model 3545 8321 - Model 7500, iLift™, ArcView™ (9177-2 &amp; 9177-3)</p>	1
C	 <p><b>Large "L" Bracket</b> 701117 - Model 7000, Model 7045, Model 3500, Model 3545 702828 - Model 7500, iLift™, ArcView™ (9177-2 &amp; 9177-3)</p>	1
D	 <p><b>Small "L" Bracket</b> 701116</p>	1
E	 <p><b>3" (76.2 mm) x 3/4" (19.05 mm) x 1/4" (6.35 mm) Rectangular Spacer</b> 701544</p>	1
F	 <p><b>3/8-16 x 1" (25.4 mm) Flat Socket Cap Screw</b> 701124 - Model 7000, Model 7045, Model 3500, Model 3545 701855 - 3/8-16 x 1-1/4" (31.75mm) - Model 7500, iLift™, ArcView™ (9177-2 &amp; 9177-3)</p>	1
G	 <p><b>3/8-16 x 7/8" (22.225mm) Flat Socket Cap Screw</b> 701799</p>	1
H	 <p><b>3/8-16 Nylon Stop Nut</b> 701418</p>	1
I	 <p><b>3/8-16 x 7/8" (22.225 mm) Button Socket Cap Screw</b> 701122</p>	1
J	 <p><b>3/8-16 x 2-1/2" (63.5 mm) Hex Head Bolt</b> 700268</p>	1
K	 <p><b>1/2-13 x 3" (76.2 mm) Socket Set Screw</b> 701126</p>	1
L	 <p><b>Foam Pad</b> (Included with Model 7000 only and 8111-cup) 701120</p>	1