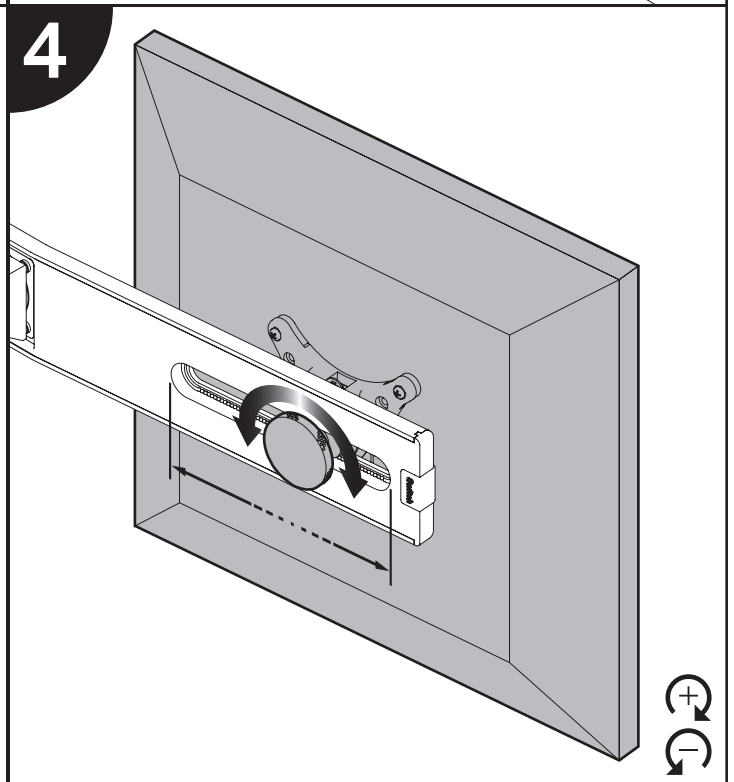
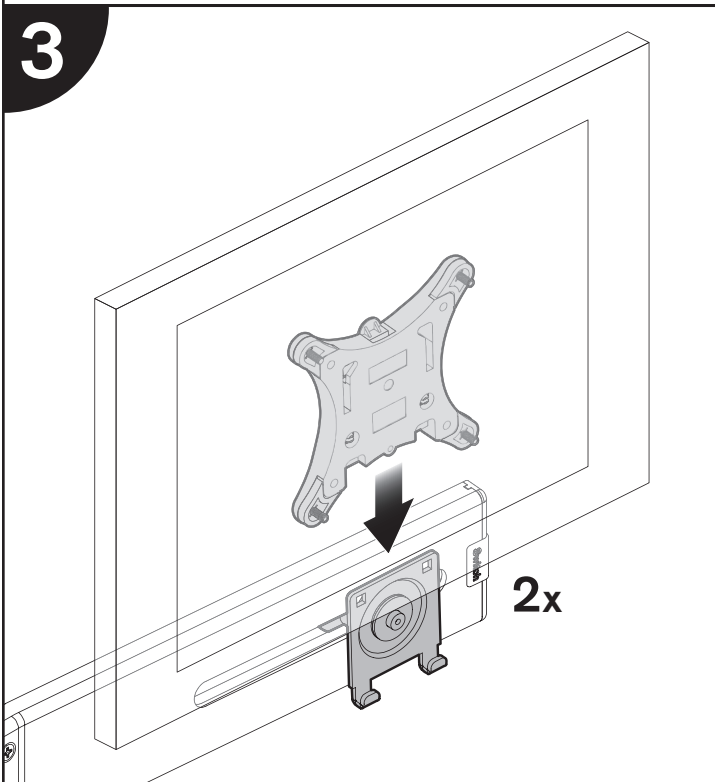
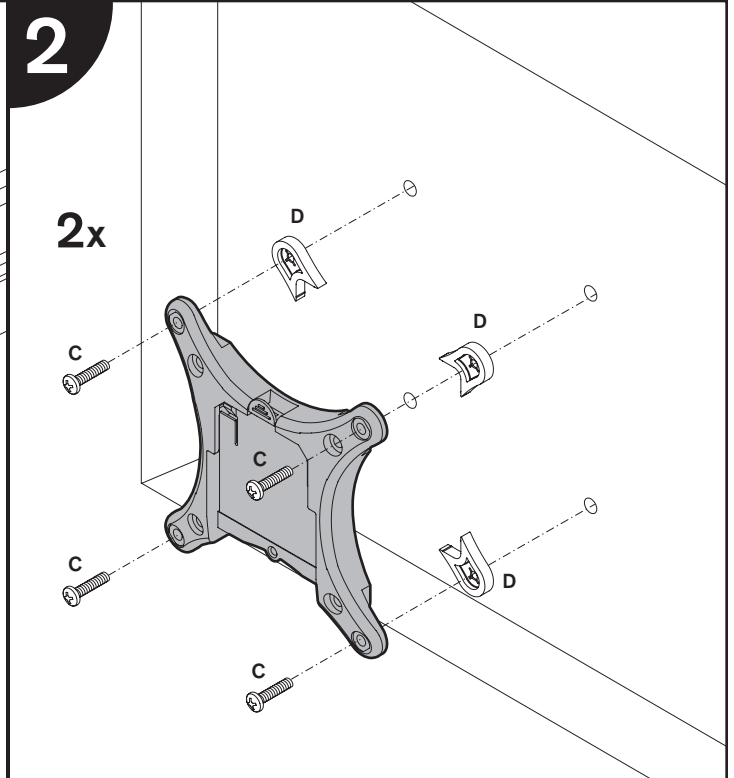
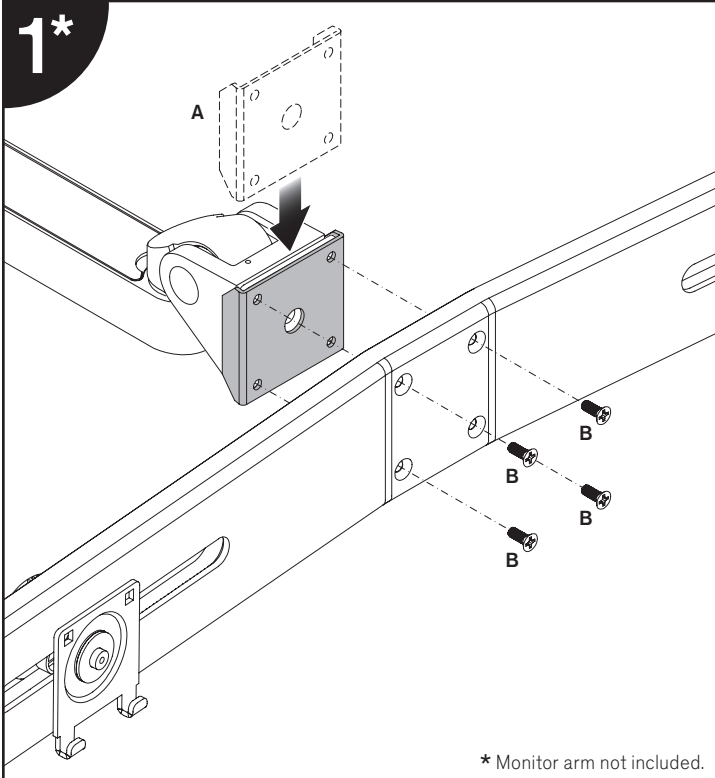
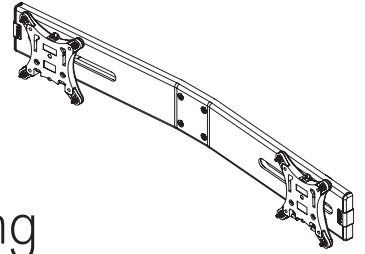


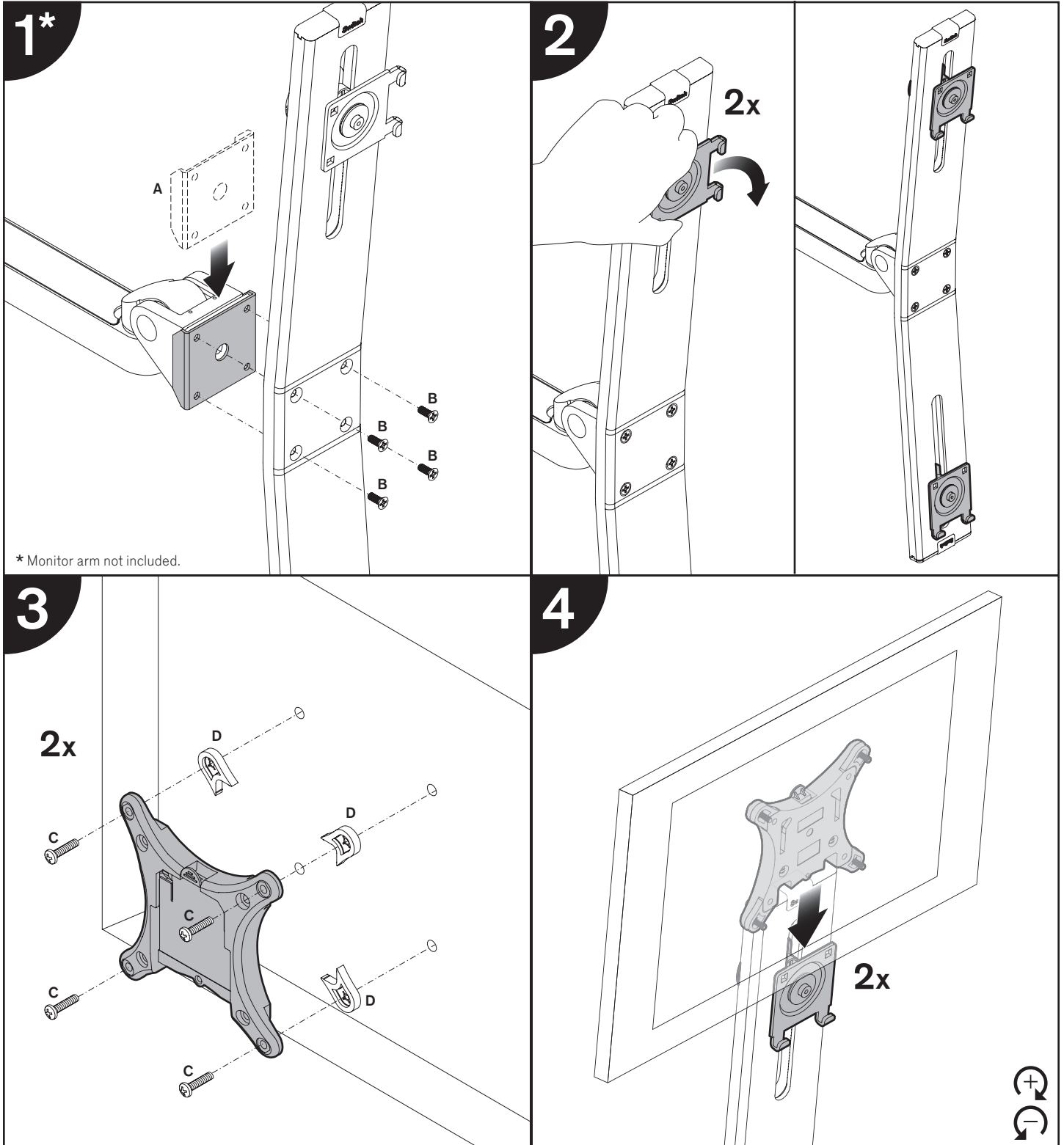
# SWITCH™

## Installation Instructions | Horizontal Positioning



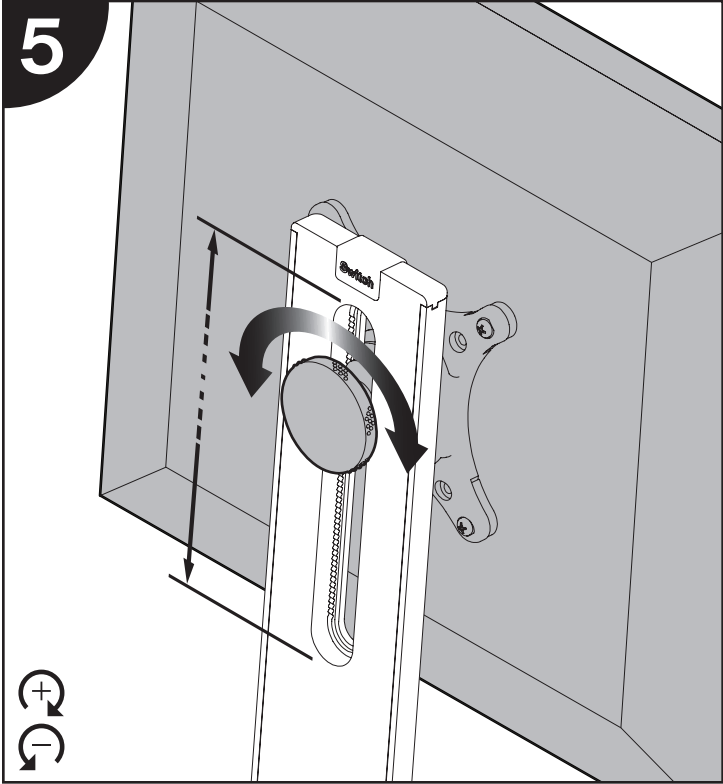
# SWITCH™

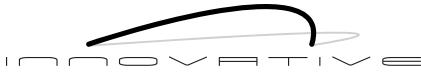
## Installation Instructions | Vertical Positioning



# SWITCH™

## Installation Instructions | Vertical Positioning





# SWITCH™

## Parts List

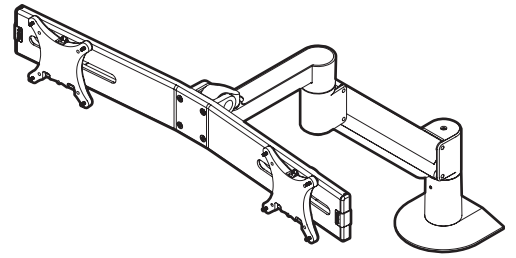
ITEM	DESCRIPTION / PART NO.	QUANTITY
A 	<b>Rotation Prevention Bracket</b> 106271	1
B 	<b>10-32 x 1/2" FPhMS</b> 709129	4
C 	<b>M4 x .7 x 18mm Screw</b> 704917	4
D 	<b>Spacer-Screw Retainer</b> 104887	4



www.thehumansolution.com  
info@thehumansolution.com  
800.531.3746

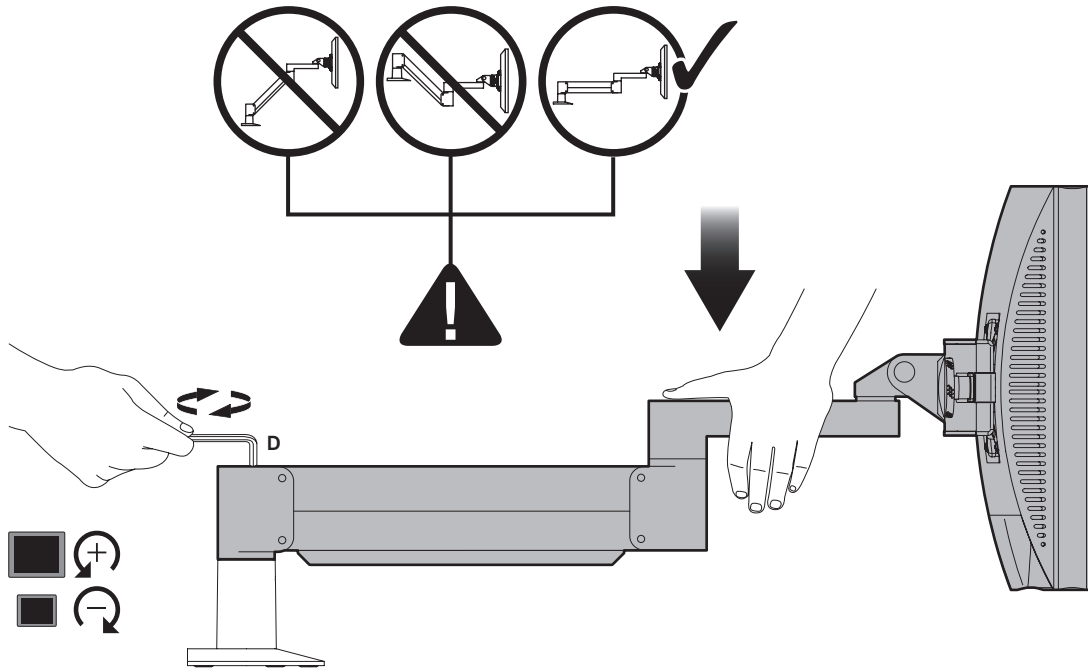
# MODEL 7500-WING

## Installation Instructions

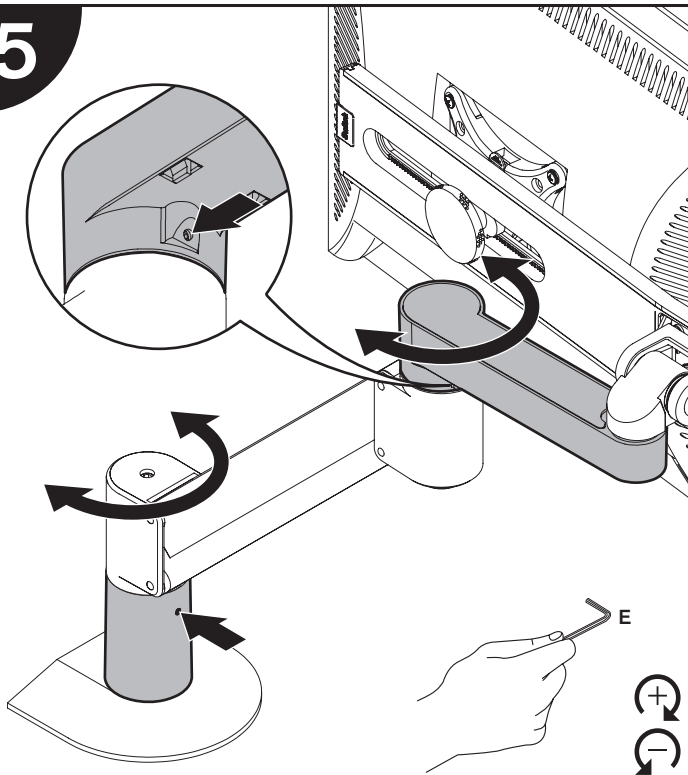


<p><b>1</b></p>	<p><b>2</b></p>
	<p><b>3</b></p>

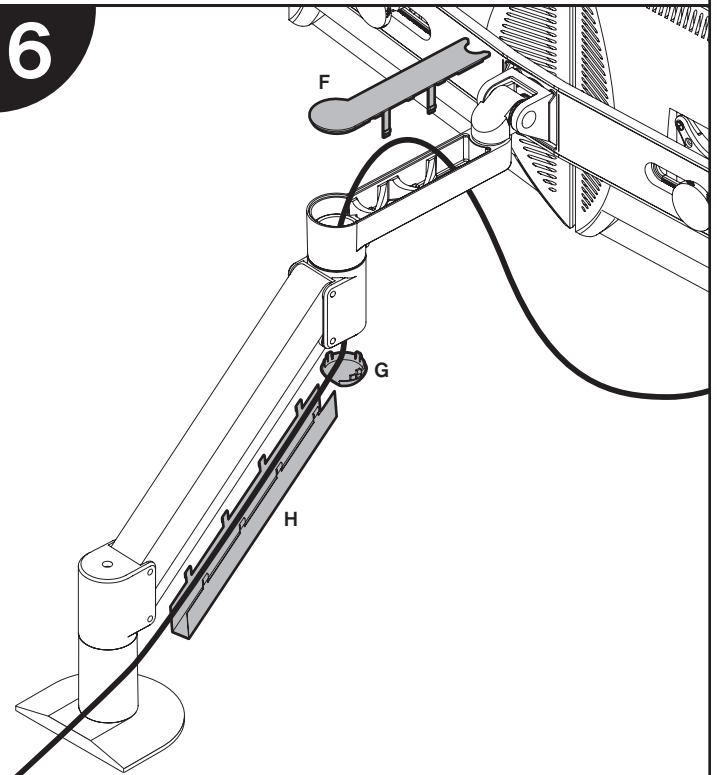
4

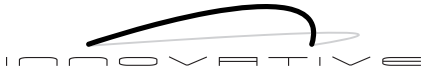


5



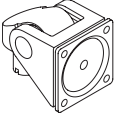


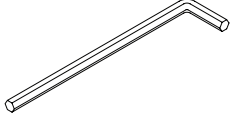
6


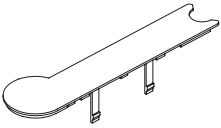

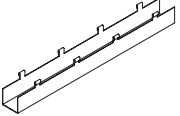




# MODEL 7500-WING

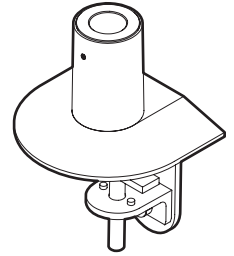
## Parts List

ITEM	DESCRIPTION / PART NO.	QUANTITY
A	 Spring-Assisted Monitor Tilter 407747	1
B	 Dog Washer 105189	1
C	 10-32 x 3/8" FPHMS w/Lock Patch 705198	1
D	 7/32" Allen Wrench 701127	1

ITEM	DESCRIPTION / PART NO.	QUANTITY
E	 3/32" Allen Wrench 700146	1
F	 Forearm Cap 702825	1
G	 Endcap Bumper 702829	1
H	 Cable Cap 106888	1

# FLEXMOUNT™ 8318

## Installation Instructions



### Desk Clamp

- 1
- 2
- 3

### Thru-Desk

8318-cup	8318-thru

### Wall Mount

- 1
- 2

\* Hardware not included.

### Reverse Wall Mount

- 1
- 2

\* Hardware not included.

### Grommet Hole

- 1
- 2
- 3

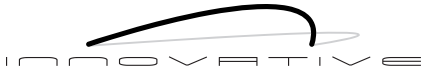
> 2.5"

### Side Bolt

- 1
- 2

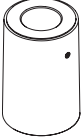
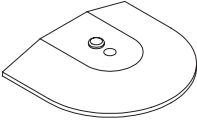
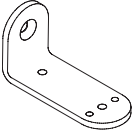
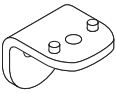
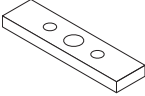
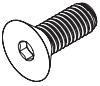
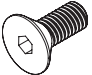
\* Hardware not included.


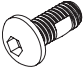
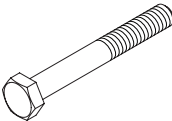
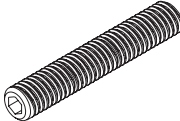
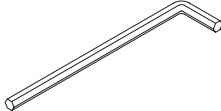





# FLEXMOUNT™ 8318

## Parts List

ITEM	DESCRIPTION / PART NO.	QUANTITY
A 	Mount Column 407602	1
B 	Base Plate 754220	1
C 	Large "L" Bracket 702828	1
D 	Small "L" Bracket 701116	1
E 	Rectangular Spacer 701544	1
F 	3/8-16 x 1-1/4" Flat Socket Cap Screw 701855	1
G 	3/8-16 x 7/8" Flat Socket Cap Screw 701799	1

ITEM	DESCRIPTION / PART NO.	QUANTITY
H 	3/8-16 Nylon Stop Nut 701418	1
I 	3/8-16 x 7/8" Button Socket Cap Screw 701122	1
J 	3/8-16 x 2-1/2" Hex Head Bolt 700268	1
K 	1/2-13 x 3" Socket Set Screw 701126	1
L 	7/32" Allen Wrench 701127	1
M 	3/32" Allen Wrench 700146	1