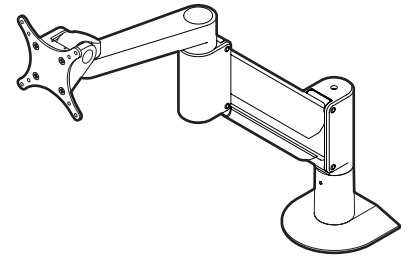
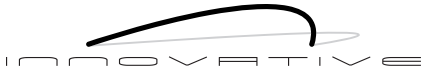


MODEL 9105

Installation Instructions

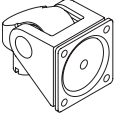


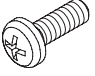




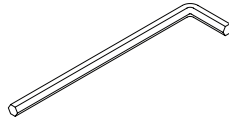

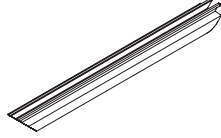
<p>1</p>	<p>2</p>	<p>3</p> <p><small>* Some monitors may require a spacer hardware kit. See page 2 for details.</small></p>
<p>4</p>	<p>5</p>	<p>6</p>
<p>7</p>	<p>8</p>	



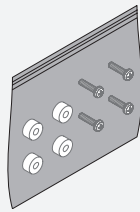
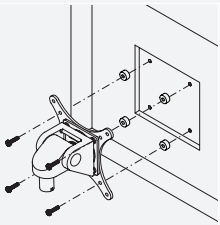
MODEL 9105

Parts List

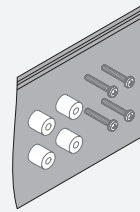
ITEM	DESCRIPTION / PART NO.	QUANTITY
A	 Spring-Assisted Monitor Tilter 407747	1
B	 75/100mm VESA® Adapter Plate 105587	1
C	 10-32 x 3/8" Phillips Flat Head Screw 702281	1 (4 pack)
D	 M4 x 12mm Phillips Pan Head Screw 702096	1 (4 pack)
E	 Dog Washer 105189	1

ITEM	DESCRIPTION / PART NO.	QUANTITY
F	 10-32 x 3/8" FPhMS w/Lock Patch 705198	1
G	 7/32" Allen Wrench 701127	1
H	 3/32" Allen Wrench 700146	1
I	 Cable Cap 102043-9.5	1

OPTIONAL SPACER KITS In some cases, the mounting surface on your monitor may be recessed further than permitted by VESA® standards. As a result, a spacer kit may be required.



.25" Spacer Hardware Kit
 (4) .25" Spacers
 (4) M4 x 18mm Phillips Pan Head Screws
 Order # P404923-B



.5" Spacer Hardware Kit
 (4) .5" Spacers
 (4) M4 x 25mm Phillips Pan Head Screws
 Order # P404923-C

available at:



800.531.3746
 info@thehumansolution.com
 thehumansolution.com