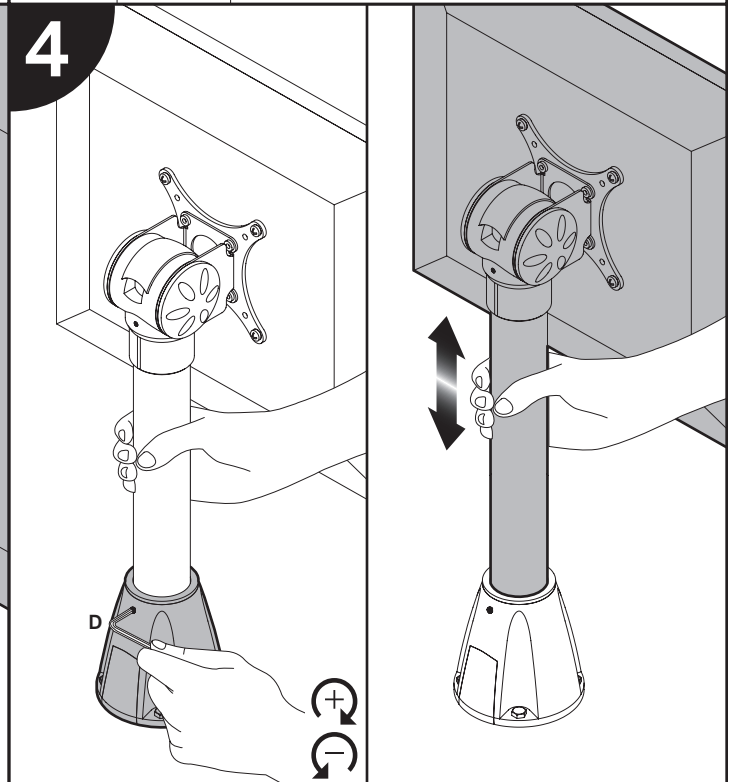
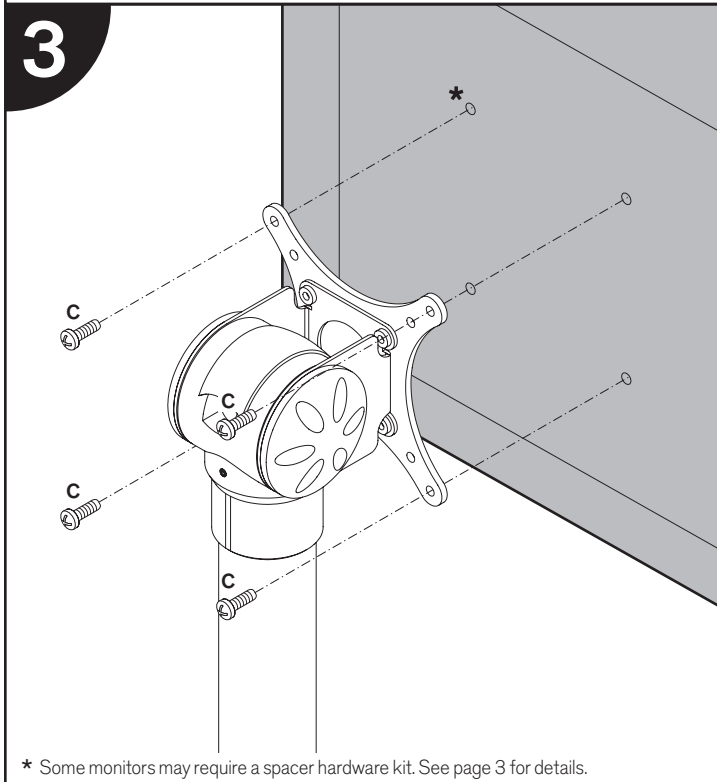
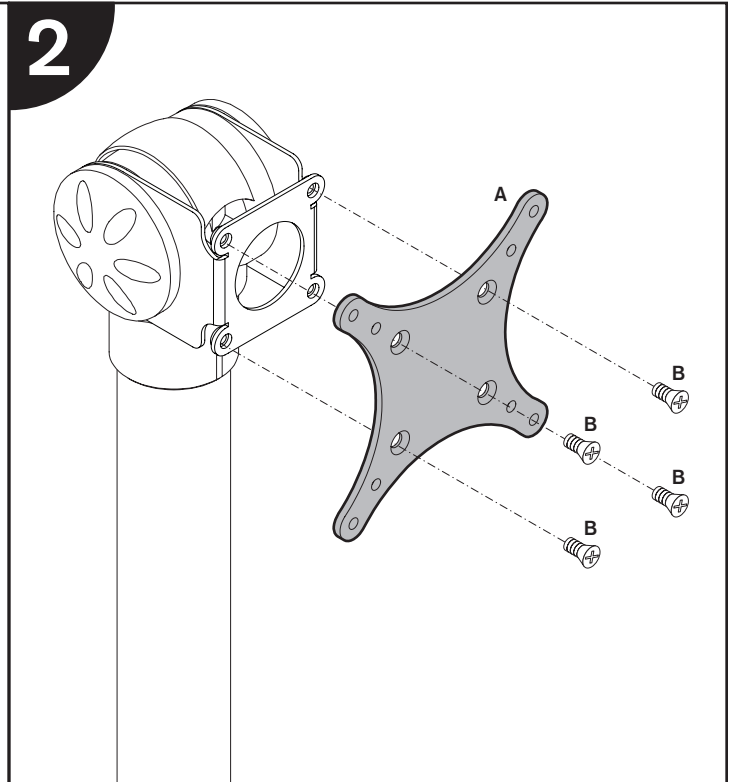
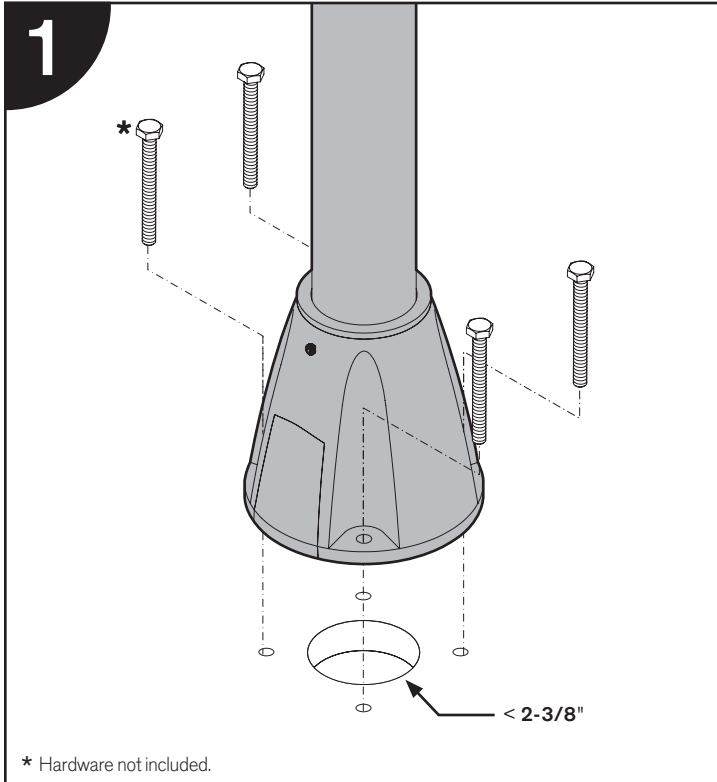
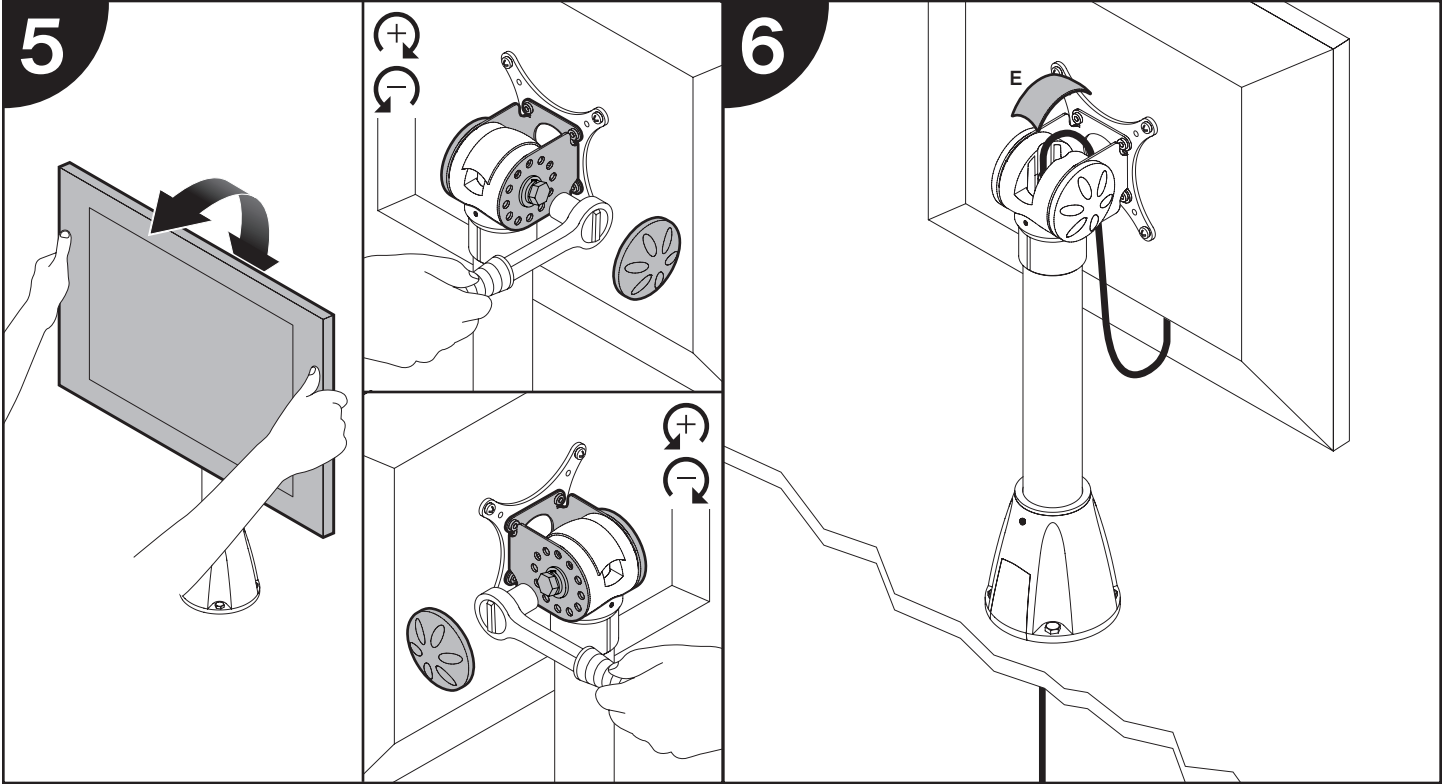


MODEL 9189

Installation Instructions



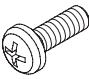





* Some monitors may require a spacer hardware kit. See page 3 for details.



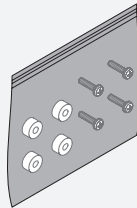
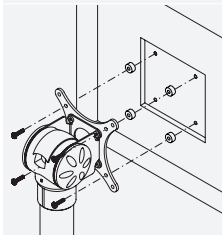
MODEL 9189

Parts List

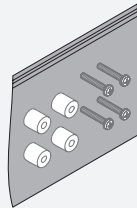
ITEM	DESCRIPTION / PART NO.	QUANTITY
A	 75/100mm VESA® Adapter Plate 1 105587	1
B	 10-32 x 3/8" Phillips Flat Head Screw 1 702281 (4-pack)	1
C	 M4 x 12mm Phillips Pan Head Screw 1 702096 (4-pack)	1

ITEM	DESCRIPTION / PART NO.	QUANTITY
D	 3/32" Allen Wrench 1 700146	1
E	 Tilter Cable Cover 1 105134	1
F	 Base Cable Cover 1 105134	1

OPTIONAL SPACER KITS In some cases, the mounting surface on your monitor may be recessed further than permitted by VESA® standards. As a result, a spacer kit may be required.



.25" Spacer Hardware Kit
 (4) .25" Spacers
 (4) M4 x 18mm Phillips Pan Head Screws
 Order # P404923-B



.5" Spacer Hardware Kit
 (4) .5" Spacers
 (4) M4 x 25mm Phillips Pan Head Screws
 Order # P404923-C

available at:



800.531.3746
 info@thehumansolution.com
 thehumansolution.com