

MODEL 9183

Installation Instructions

1

* Hardware not included. $< 2-3/8''$ (optional)

2

3

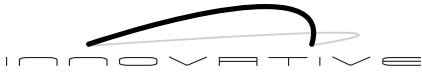
* Some monitors may require a spacer hardware kit. See page 2 for details.

4

5



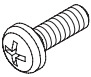
6



or



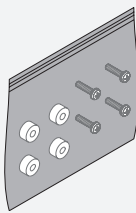
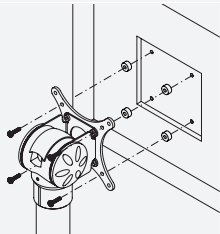
MODEL 9183

Parts List

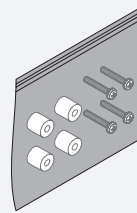
ITEM	DESCRIPTION / PART NO.	QUANTITY
A	 75/100mm VESA® Adapter Plate 105587	1
B	 10-32 x 3/8" Phillips Flat Head Screw 702281	1 (4-pack)
C	 M4 x 12mm Phillips Pan Head Screw 702096	1 (4-pack)

ITEM	DESCRIPTION / PART NO.	QUANTITY
D	 Tilter Cable Cover 105134	1
E	 Base Cable Cover 105134	1

OPTIONAL SPACER KITS In some cases, the mounting surface on your monitor may be recessed further than permitted by VESA® standards. As a result, a spacer kit may be required.



.25" Spacer Hardware Kit
(4) .25" Spacers
(4) M4 x 18mm Phillips Pan Head Screws
Order # P404923-B



.5" Spacer Hardware Kit
(4) .5" Spacers
(4) M4 x 25mm Phillips Pan Head Screws
Order # P404923-C

available at:



800.531.3746

info@thehumansolution.com
thehumansolution.com