

# Model 9183

Adjustable POS Countertop Mount



LIBERATE  
YOUR  
DESKTOP



Quickly adjust monitor or kiosk height and angle with this easy-to-use mount. Integrated cable management keeps cables safe and out of view; cables may exit above or below counter. Three sizes provide height adjustment ranging from 11" to 39".

## FEATURES

- ▲ Supports monitors, signature capture devices, kiosks and more
- ▲ Pivot and turn monitor – lock monitor in place if desired
- ▲ Internal cable routing – cables may pass through counter or exit behind mount
- ▲ Durable construction stands up to retail use and abuse
- ▲ Fast setup



Quickly adjust monitor height



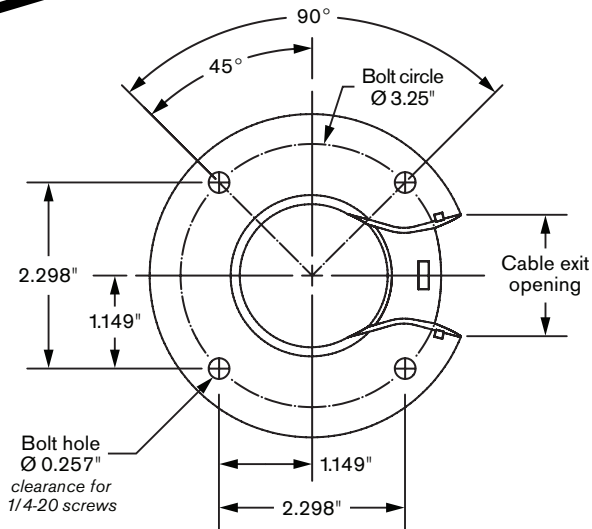
Easily tilt monitor to desired angle



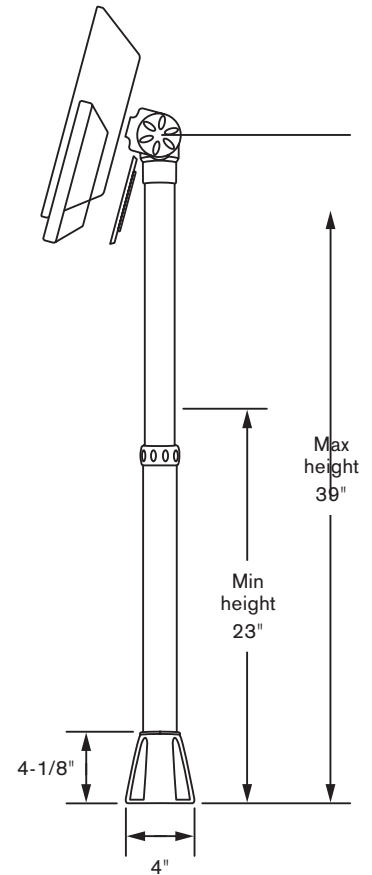
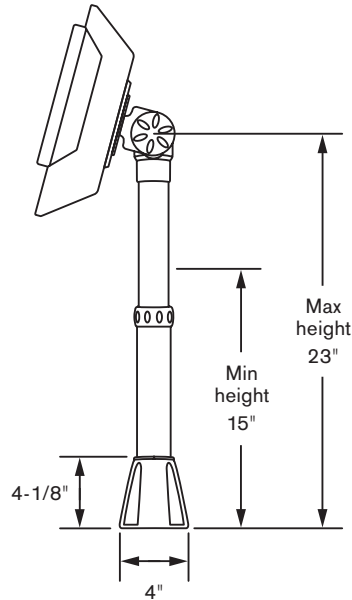
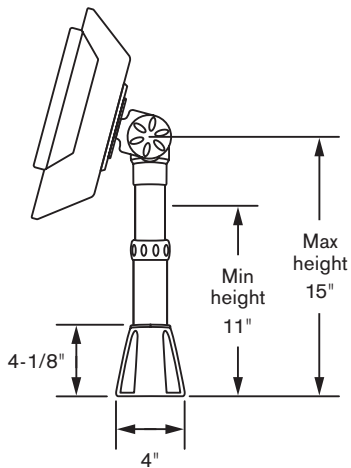
Cables may exit above or below counter

# Model 9183

## Specifications



**BOLT PATTERN**  
Bottom View of Mount



MODEL	9183-15	9183-23	9183-39
HEIGHT RANGE	11" - 15"	15" - 23"	23" - 39"
MONITOR WEIGHT	Up to 25 lbs	Up to 25 lbs	Up to 25 lbs

Reference dimensions; subject to change without notice. Consult IOP for latest information.

available at:



800.531.3746

info@thehumansolution.com

thehumansolution.com