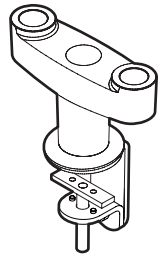
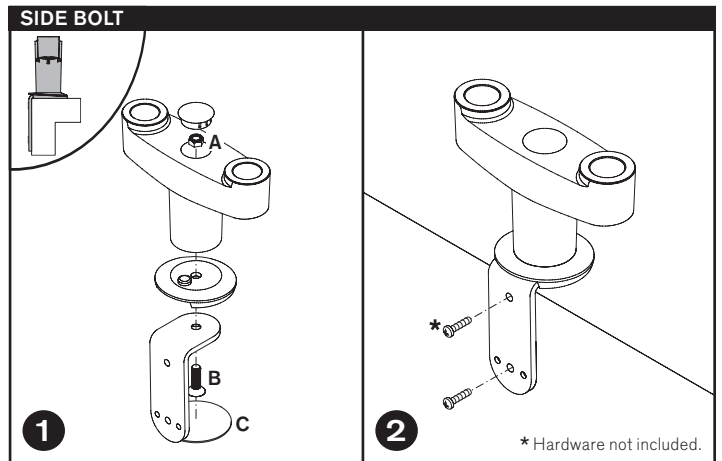
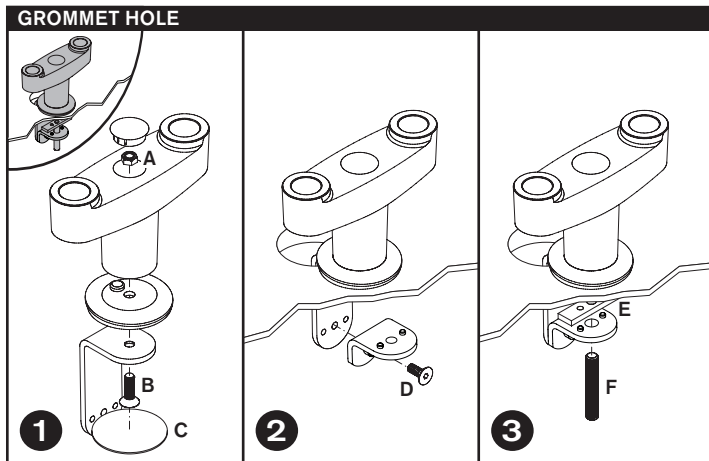
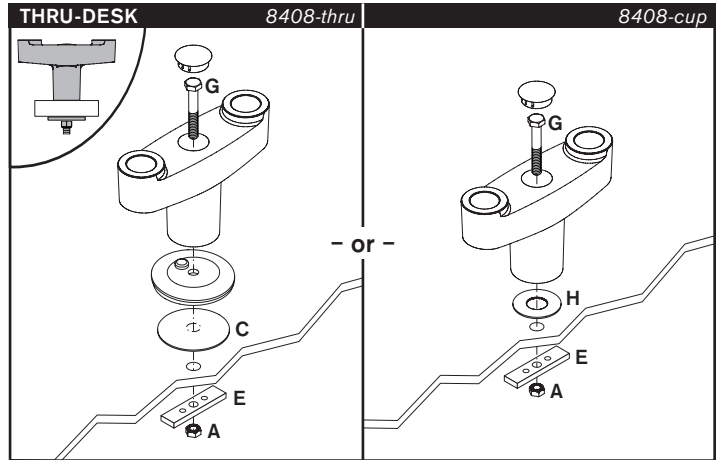
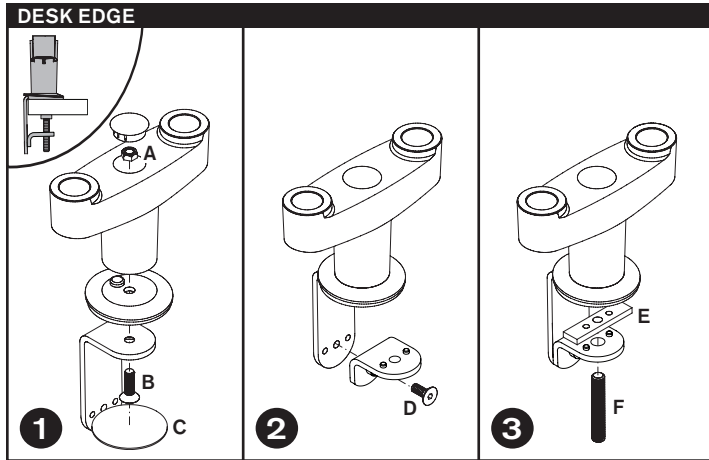


MODEL 8408

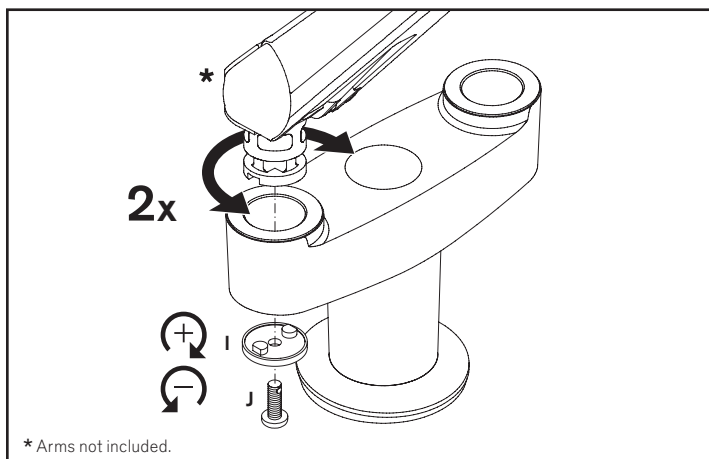
Installation Instructions



STEP 1 CHOOSE MOUNT CONFIGURATION



STEP 2 ADJUST ARM ROTATION FRICTION



MODEL 8408

Parts List

ITEM	DESCRIPTION / PART NO.	QUANTITY
A	3/8-16 Nylon Stop Nut 701418	1
B	3/8-16 x 1-1/4" Flat Socket Cap Screw 1 701855	
C	Foam Pad 1 701565 <i>Included with Model 8408 & 8408-thru only</i>	
D	3/8-16 x 7/8" Flat Socket Cap Screw 1 701799	
E	Rectangular Spacer 1 701544	
F	1/2-13 x 3" Socket Set Screw 1 701126	

ITEM	DESCRIPTION / PART NO.	QUANTITY
G	3/8-16 x 2-1/2" Hex Head Bolt 1 700268	
H	Foam Pad 1 701120 <i>Included with Model 8408 & 8408-cup only</i>	
I	End Cap Dog Washer 2 104989	
J	M6-1 x 18mm Phillips Pan Head Screw 2 105304	
K	7/32" Allen Wrench 1 701127	