



EVO®

Introducing the new EVO®

Meet the second generation of the award-winning EVO® LCD Arm... redesigned for a new decade, and reengineered for superior performance.

The evolution continues...





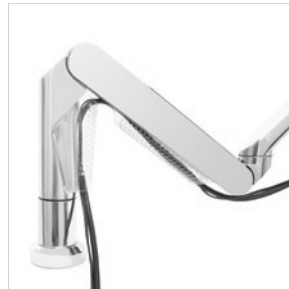
Effortless motion and adjustment courtesy of revolutionary spring-powered Better Balance™ technology.



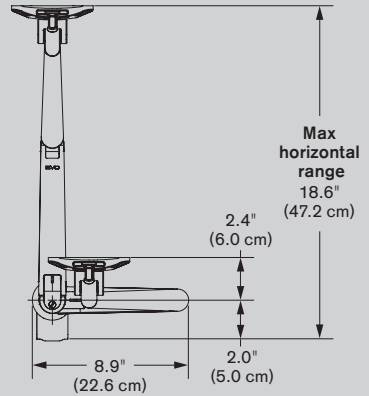
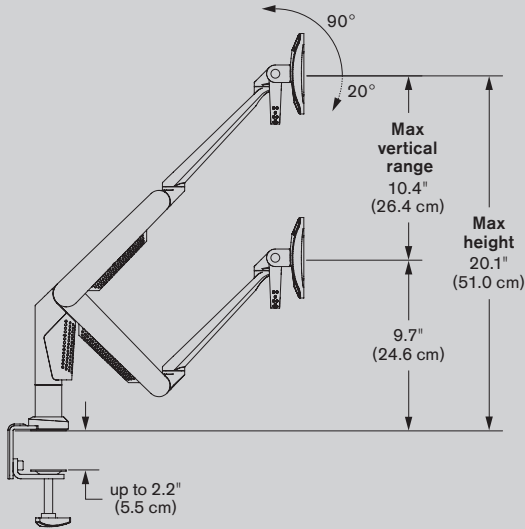
Reduced installation time:
a. Quick-install VESA® adapter
b. Desk mount with integrated handle



Environmentally-friendly manufacturing methods, and extensive use of recycled and recyclable components.



Integrated cable management keeps the desk organized.

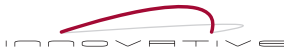


EVO® 5700-DC CAPABILITIES

Vertical range	+/- 5.2" (13.2 cm) from horizontal
Horizontal range	18.6" (47.2 cm)
Rotation	360° at three joints
Monitor tilt	90° up, 20° down from center
Monitor pivot	Landscape to portrait
Monitor compatibility	VESA® 75mm and 100mm
Cable management	Cables are clipped beneath arm
Mounting options	Desk Edge, Grommet, Through-Desk
Monitor weight <i>(at standard monitor depths)</i>	6 - 20 lbs (2.7 - 9.0 kg)







available at:



800.531.3746

info@thehumansolution.com
thehumansolution.com