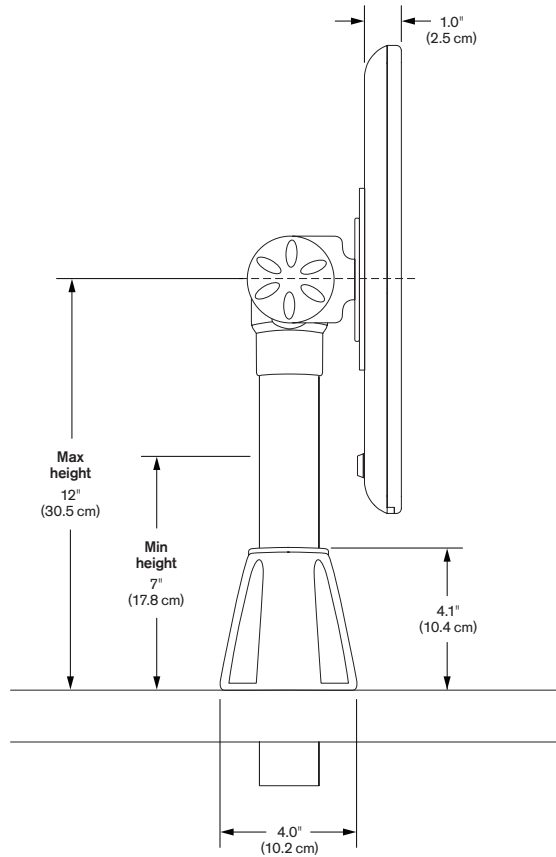


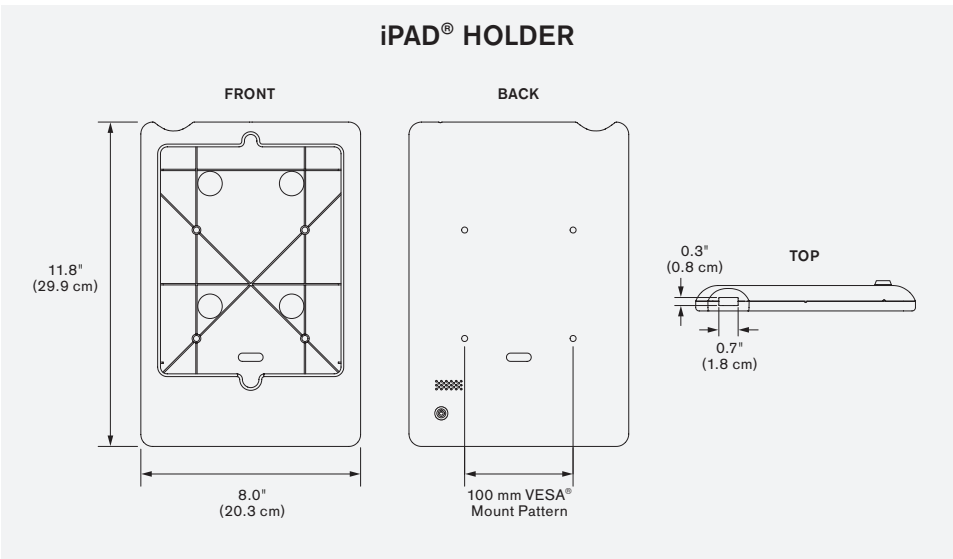
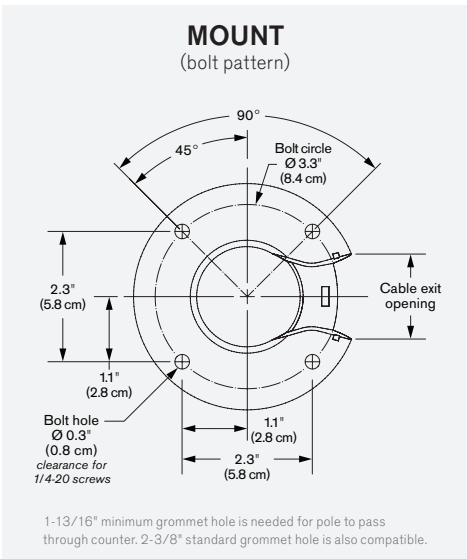
# Model 9189-8438

## Specifications

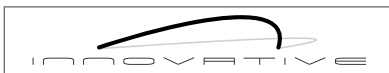


**COMPATIBILITY**

iPad 2<sup>nd</sup> generation      iPad 3<sup>rd</sup> generation



iPad is a registered trademark of Apple, Inc.



800.531.3746 • info@thehumansolution.com • thehumansolution.com