

Sapper Multiple Monitor Beam Easy Order Guide

Summer 2011

Knoll

available at:



800.531.3746

info@thehumansolution.com

thehumansolution.com

Sapper Multiple Monitor Beam Solutions allow for an unparalleled level of convenience and style in creating easily reconfigurable multiple monitor workstations. This guide provides an overview of the available kits complete with visual illustrations, pattern codes and suggested uses for mounting up to 8 monitors.

How to Use This Guide

This easy order guide should help identify the right multiple monitor beam solution and should simplify the specifying process. The Sapper multiple monitor beam kits can accommodate a variety of monitor configurations and make monitor reconfiguring easy. This guide is a straightforward tool to help clients find the right solutions for their needs.

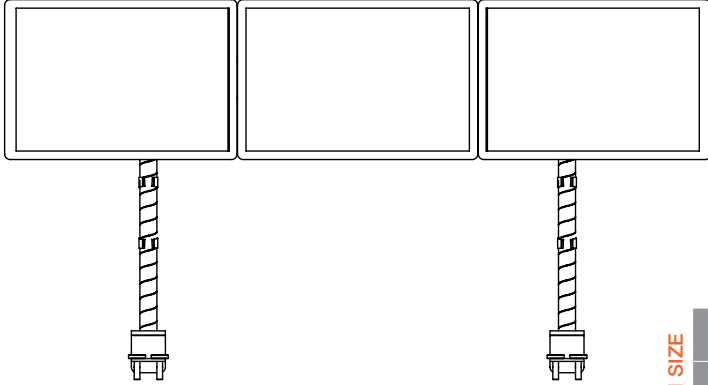
Because of variations in manufacturers' monitor measurements, in addition to knowing the diagonal screen measurement, it is critical to have your clients measure the outside dimensions of their monitors. If your client's monitors exceed the sample monitor sizes used in this guide, look to the monitor size immediately larger than your client's actual monitor.

After choosing a monitor configuration (size, number and orientation) use the chart on page 8 to see which page to flip to for suggested beam kits.



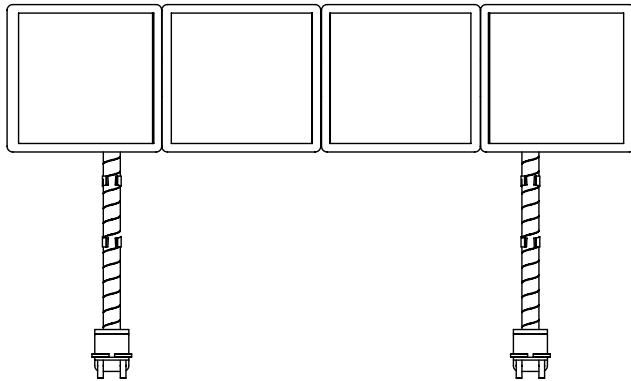
Single Monitor Beam Solutions

Three Monitor Solution on One Beam



MAXIMUM MONITOR SIZE		
	Portrait*	Landscape
B <small>EAM</small> S <small>IZE</small>		
Small (50")	31.6"	21.2"
Medium (64")	44"	28"
Large (76")	44"	34.2"

Four Monitor Solution on One Beam



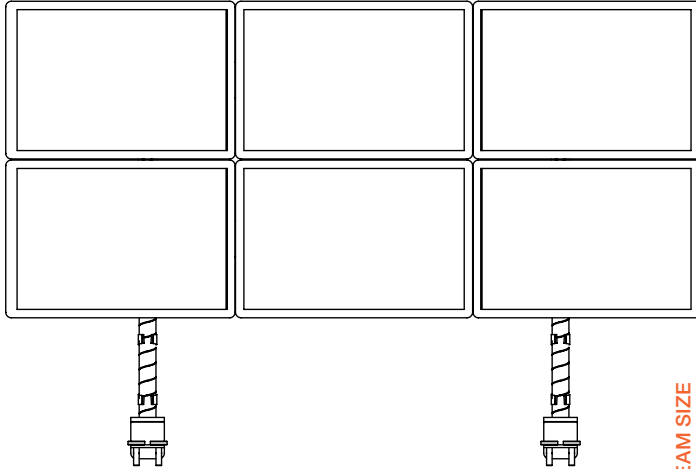
MAXIMUM MONITOR SIZE		
	Portrait*	Landscape
B <small>EAM</small> S <small>IZE</small>		
Small (50")	21.2"	14"
Medium (64")	26.4"	18.8"
Large (76")	44"	23"

*Assumes use of a 24" mast for additional clearance under monitors.

Note: The monitor measurements for these drawings are by width and height, not diagonal, and are based on actual monitor sizes. Actual monitor dimensions may vary.

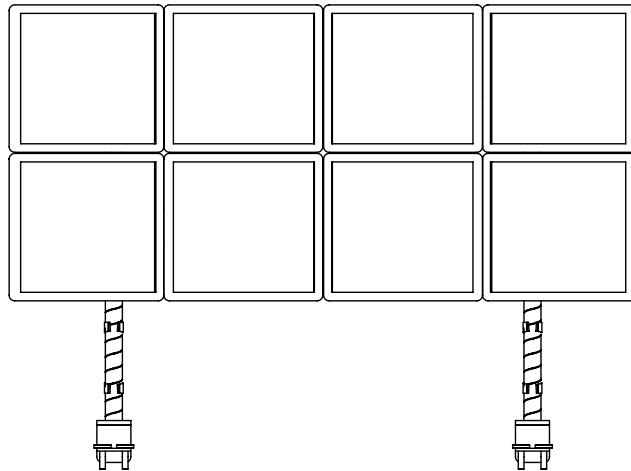
Double Monitor Beam Solutions

Six Monitor Solution on Two Beams



		MAXIMUM MONITOR SIZE	
		Portrait	Landscape
BEAM SIZE	Small (50")	19.9"	21.2"
	Medium (64")	19.9"	28"
	Large (76")	19.9"	34.2"

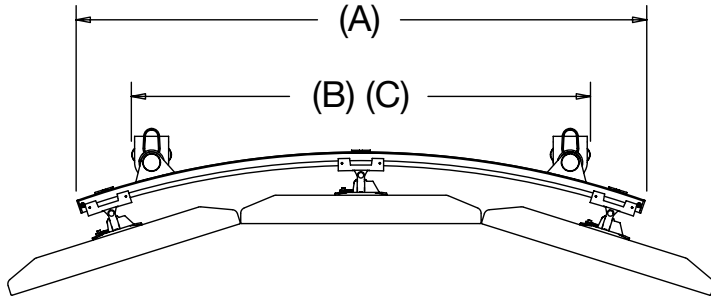
Eight Monitor Solution on Two Beams



		MAXIMUM MONITOR SIZE	
		Portrait	Landscape
BEAM SIZE	Small (50")	19.9"	14"
	Medium (64")	19.9"	18.8"
	Large (76")	19.9"	23"

Note: The monitor measurements for these drawings are by width and height, not diagonal, and are based on actual monitor sizes. Actual monitor dimensions may vary.

Worksurface Space Requirements for Multiple Monitor Beam Solutions



Worksurface Space Needed For:

MOUNTING OPTION

Beam Length (A)	Heavy-Duty Table Clamp (B)	Antenna Center Beam Side Mount (C)
50"	40"	43.5"
64"	44.5"	48"
76"	44.5"	48"

Multiple Monitor Beam Solutions: Examples

Here are some examples of how the Multiple Monitor Beam Solutions can meet your clients' needs.

Application: Trading floor at a hedge fund

Solution: Small (50") beams with 3 monitors mounted with Antenna Workspaces center beam side mounts.



Application: Security room at a university

Solution: Double large (76") beam with 8 monitors, mounted on AutoStrada with heavy duty table clamps.



How to Order a Multiple Monitor Beam Kit

Explanation of the Knoll order code, for example SAP B 16 M 6 ANT SIDE K

SAP	Sapper Monitor Arm Collection
B	Multiple Monitor Beam Solutions
16	Mast height – masts come in 16", 24" and 32"
M	Beam size – beams come in small (50"), medium (64") or large (76")
6	Number of movement joint slides needed for monitors – kits accommodate 3, 4, 6 or 8 monitors
ANT	The type of mount provided with the kit – the ANT SIDE K mount secures the beam to the side of the
SIDE K	Antenna center beam (clearing the flip door and screens), whereas the CLMP HD K (heavy-duty clamp) mount secures the beam to most other worksurfaces

**Note: All parts are also available 'a la carte' to accommodate additional monitors as well as changing needs.*

Monitor Beam Kit Ordering Options

SIZE OF MONITORS
(measured diagonally – actual dimensions of sample monitors listed below)

		19"	20"	22"	24"	28"	30"	32"
		12.4" x 17.8	12.4" x 19.2"	13.3" x 20.6"	17" x 22.9"	19.25" x 26.4"	19.4" x 27.6"	19.4" x 31.6"
NUMBER OF MONITORS	3	Landscape p. 9	Landscape p. 10	Landscape p. 11	Landscape p. 12	Landscape p. 13	Landscape p. 14	Landscape p. 15
		Portrait p. 16	Portrait p. 17	Portrait p. 18	Portrait p. 19	Portrait p. 20	Portrait p. 21	Portrait p. 22
	4	Landscape p. 23	Landscape p. 24	Landscape p. 25	Landscape p. 26	Landscape n/a	Landscape n/a	Landscape n/a
		Portrait p. 27	Portrait p. 28	Portrait p. 29	Portrait p. 30	Portrait p. 31	Portrait p. 32	Portrait p. 33
	6	Landscape p. 34	Landscape p. 35	Landscape p. 36	Landscape p. 37	Landscape p. 38	Landscape p. 39	Landscape p. 40
		Portrait p. 41	Portrait p. 42	Portrait 43	Portrait n/a	Portrait n/a	Portrait n/a	Portrait n/a
	8	Landscape p. 44	Landscape p. 45	Landscape p. 46	Landscape p. 47	Landscape n/a	Landscape n/a	Landscape n/a
		Portrait p. 48	Portrait p. 49	Portrait n/a	Portrait n/a	Portrait n/a	Portrait n/a	Portrait n/a

**Note: Suggested beam kit shown is minimum size beam and mast required for the number and size of monitors. Each option shown can also be accommodated by larger beams – they will take up additional worksurface space but will also provide additional flexibility.*

All parts are also available 'a la carte' to accommodate additional monitors as well as changing needs.

Three 19" Monitors in Landscape

Suggested beam kits

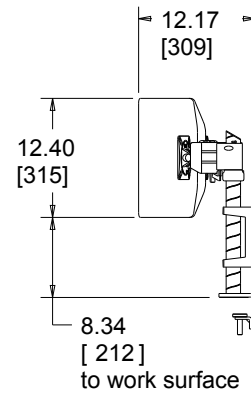
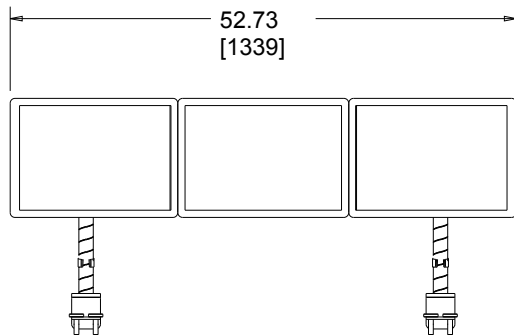
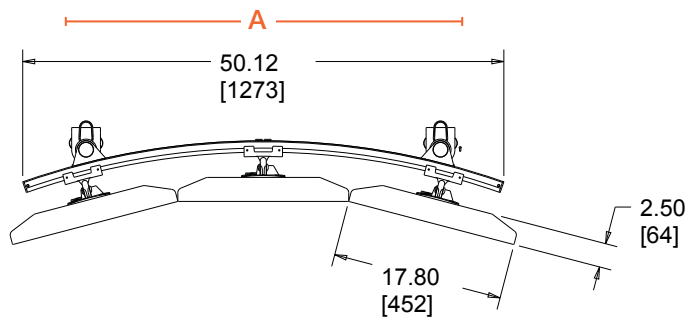
SAP B 16 S 3 ANT SIDE K
SAP B 16 S 3 CLMP HD K

Space requirements

- 50" of workspace
- (A) = amount of linear desk space needed from mount to mount (39.92" with heavy-duty clamps and 43.5" with Antenna center beam side mount)

Kits include

- Two 16" masts
- Three movement joint slides
- One 50" beam
- Two beam mast cable management clips
- Six beam cable management clips
- Two mounts (either Antenna center beam side mounts or heavy-duty table clamp mounts)



Actual dimensions of monitors can vary and depending on monitor choice, some may extend beyond either side of the beam assembly. Maximum weight for each monitor is 20 pounds. Actual monitor size used in drawings: 12.4"H by 17.8"W.

Three 20" Monitors in Landscape

Suggested beam kits

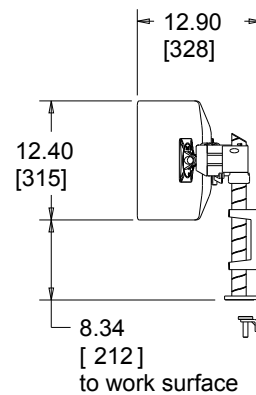
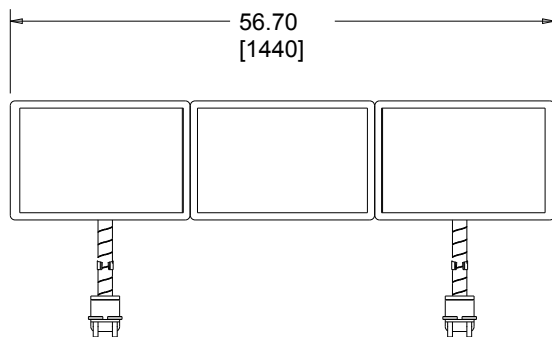
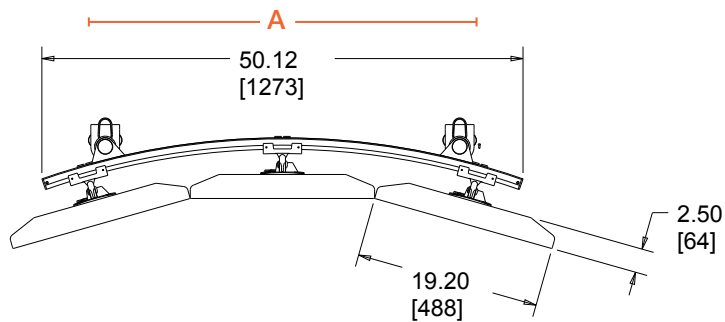
SAP B 16 S 3 ANT SIDE K
SAP B 16 S 3 CLMP HD K

Space requirements

- 50" of workspace
- (A) = amount of linear desk space needed from mount to mount (39.92" with heavy-duty clamps and 43.5" with Antenna center beam side mount)

Kits include

- Two 16" masts
- Three movement joint slides
- One 50" beam
- Two beam mast cable management clips
- Six beam cable management clips
- Two mounts (either Antenna center beam side mounts or heavy-duty table clamp mounts)



Actual dimensions of monitors can vary and depending on monitor choice, some may extend beyond either side of the beam assembly. Maximum weight for each monitor is 20 pounds. Actual monitor size used in drawings: 12.4"H by 19.2"W.

Sapper Multiple Monitor Beam Easy Order Guide

Summer 2011



Available from:

The Human Solution
Design For Human Use™

The Human Solution
2139 W Anderson Ln
Austin, TX 78757
T- 800.531.3746
F- 512.828.8000
www.thehumansolution.com
info@thehumansolution.com

Knoll

Three 24" Monitors in Landscape

Suggested beam kits

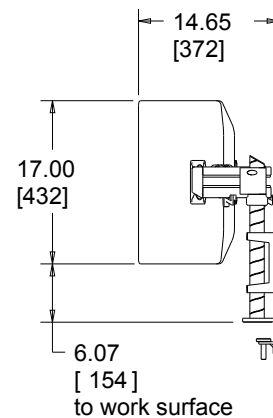
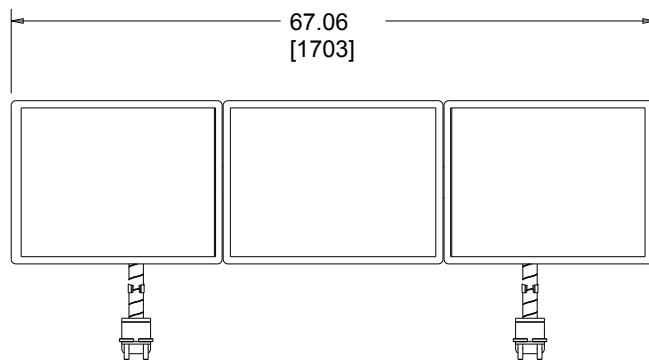
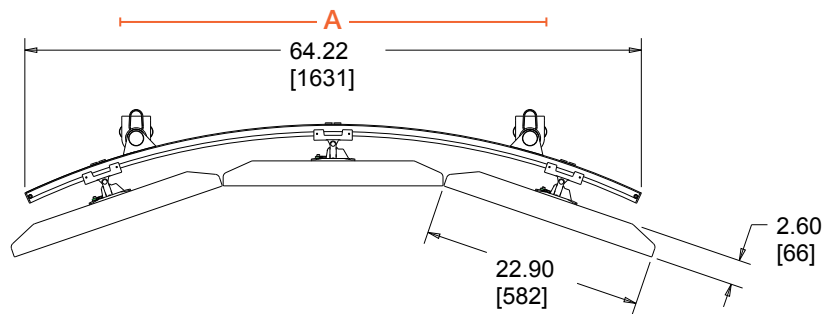
SAP B 16 M 3 ANT SIDE K
 SAP B 16 M 3 CLMP HD K

Space requirements

- 64" of workspace
- (A) = amount of linear desk space needed from mount to mount (44.02" with heavy-duty clamps and 47.27" with Antenna center beam side mount)

Kits include

- Two 16" masts
- Three movement joint slides
- One 64" beam
- Two beam mast cable management clips
- Eight beam cable management clips
- Two mounts (either Antenna center beam side mounts or heavy-duty table clamp mounts)



Actual dimensions of monitors can vary and depending on monitor choice, some may extend beyond either side of the beam assembly. Maximum weight for each monitor is 20 pounds. Actual monitor size used in drawings: 17"H by 22.9"W.

Three 28" Monitors in Landscape

Suggested beam kits

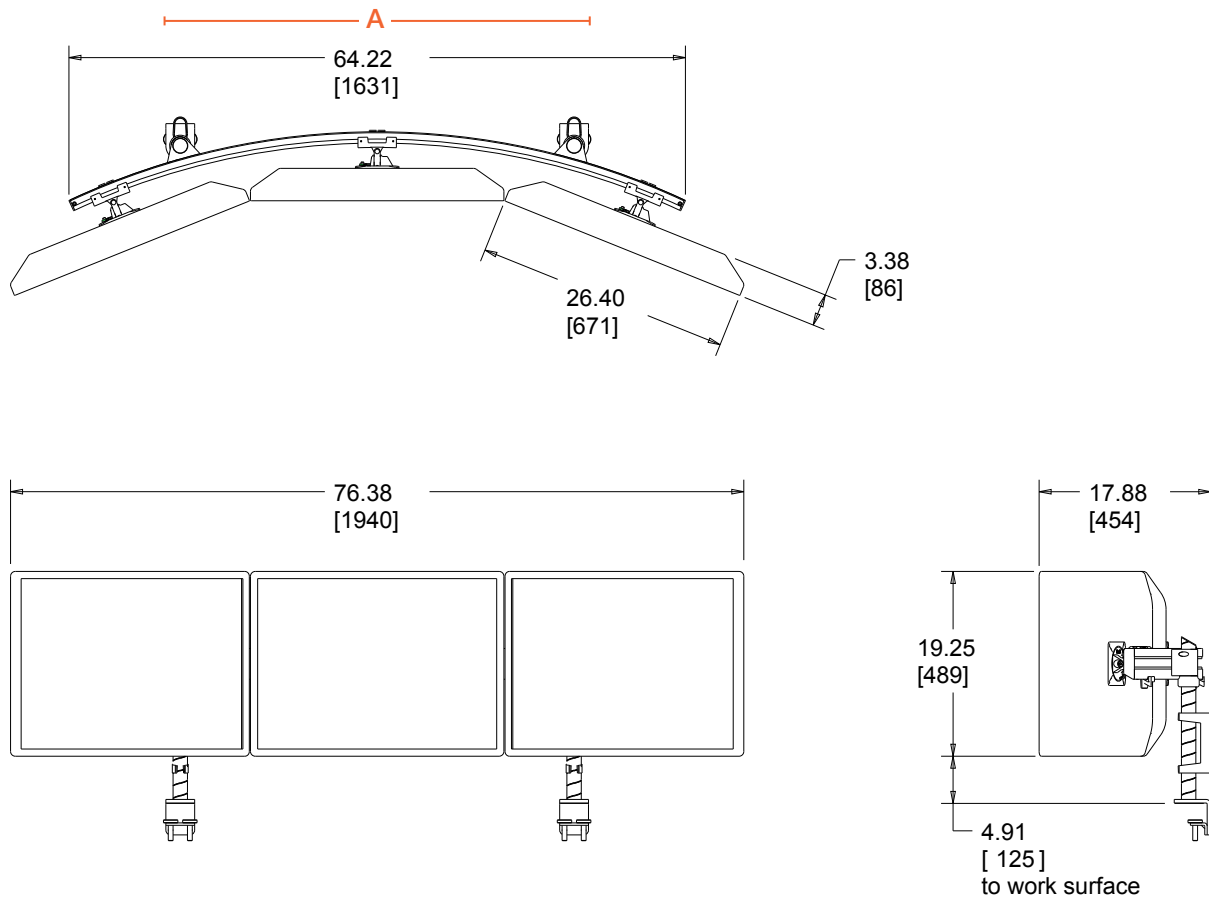
SAP B 16 M 3 ANT SIDE K
SAP B 16 M 3 CLMP HD K

Space requirements

- 64" of workspace
- (A) = amount of linear desk space needed from mount to mount (44.02" with heavy-duty clamps and 47.27" with Antenna center beam side mount)

Kits include

- Two 16" masts
- Three movement joint slides
- One 64" beam
- Two beam mast cable management clips
- Eight beam cable management clips
- Two mounts (either Antenna center beam side mounts or heavy-duty table clamp mounts)



Actual dimensions of monitors can vary and depending on monitor choice, some may extend beyond either side of the beam assembly. Maximum weight for each monitor is 20 pounds. Actual monitor size used in drawings: 19.25"H by 26.4"W.

Three 30" Monitors in Landscape

Suggested beam kits

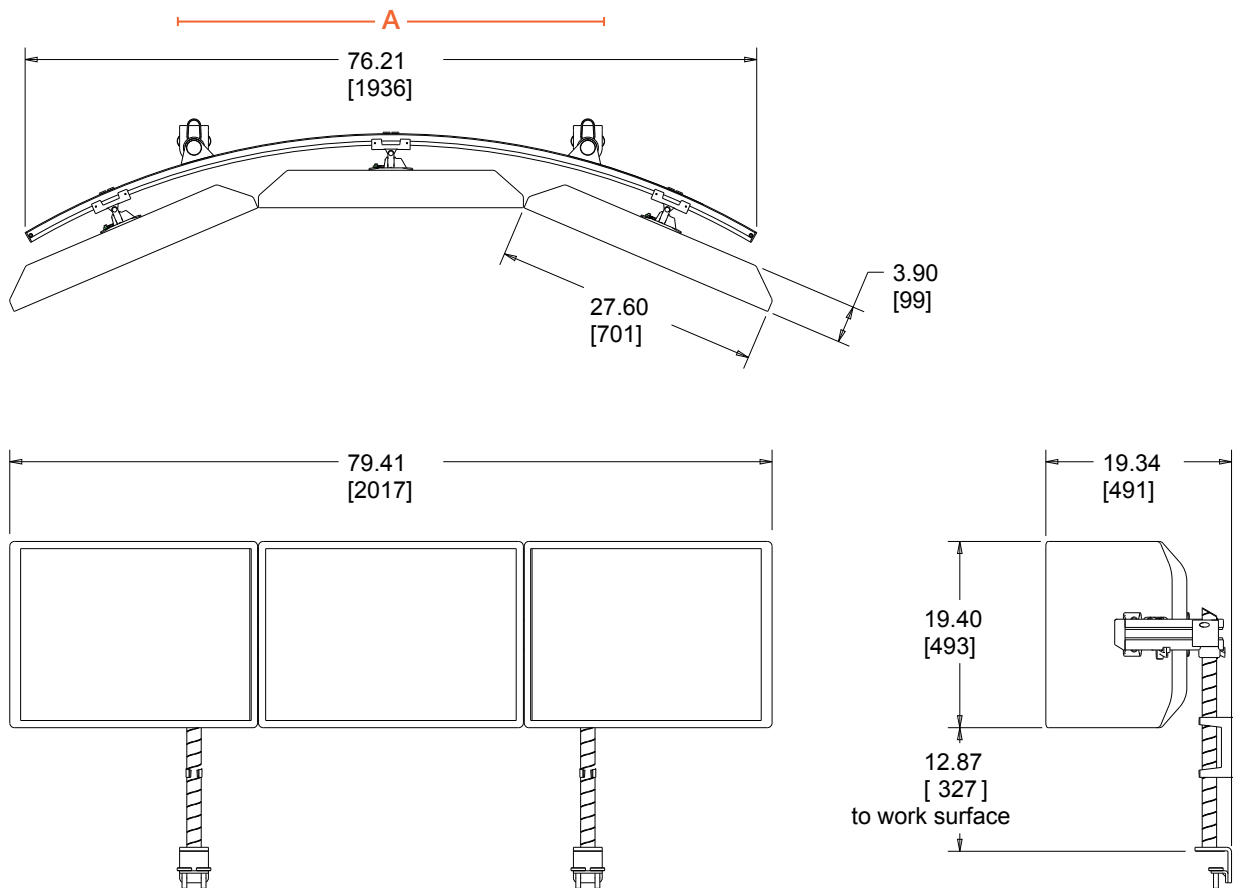
SAP B 16 L 3 ANT SIDE K
 SAP B 16 L 3 CLMP HD K

Space requirements

- 76" of workspace
- (A) = amount of linear desk space needed from mount to mount (44.02" with heavy-duty clamps and 47.27" with Antenna center beam side mount)

Kits include

- Two 16" masts
- Three movement joint slides
- One 76" beam
- Two beam mast cable management clips
- Ten beam cable management clips
- Two mounts (either Antenna center beam side mounts or heavy-duty table clamp mounts)



Actual dimensions of monitors can vary and depending on monitor choice, some may extend beyond either side of the beam assembly. Maximum weight for each monitor is 20 pounds. Actual monitor size used in drawings: 19.4"H by 27.6"W.

Three 32" Monitors in Landscape

Suggested beam kits

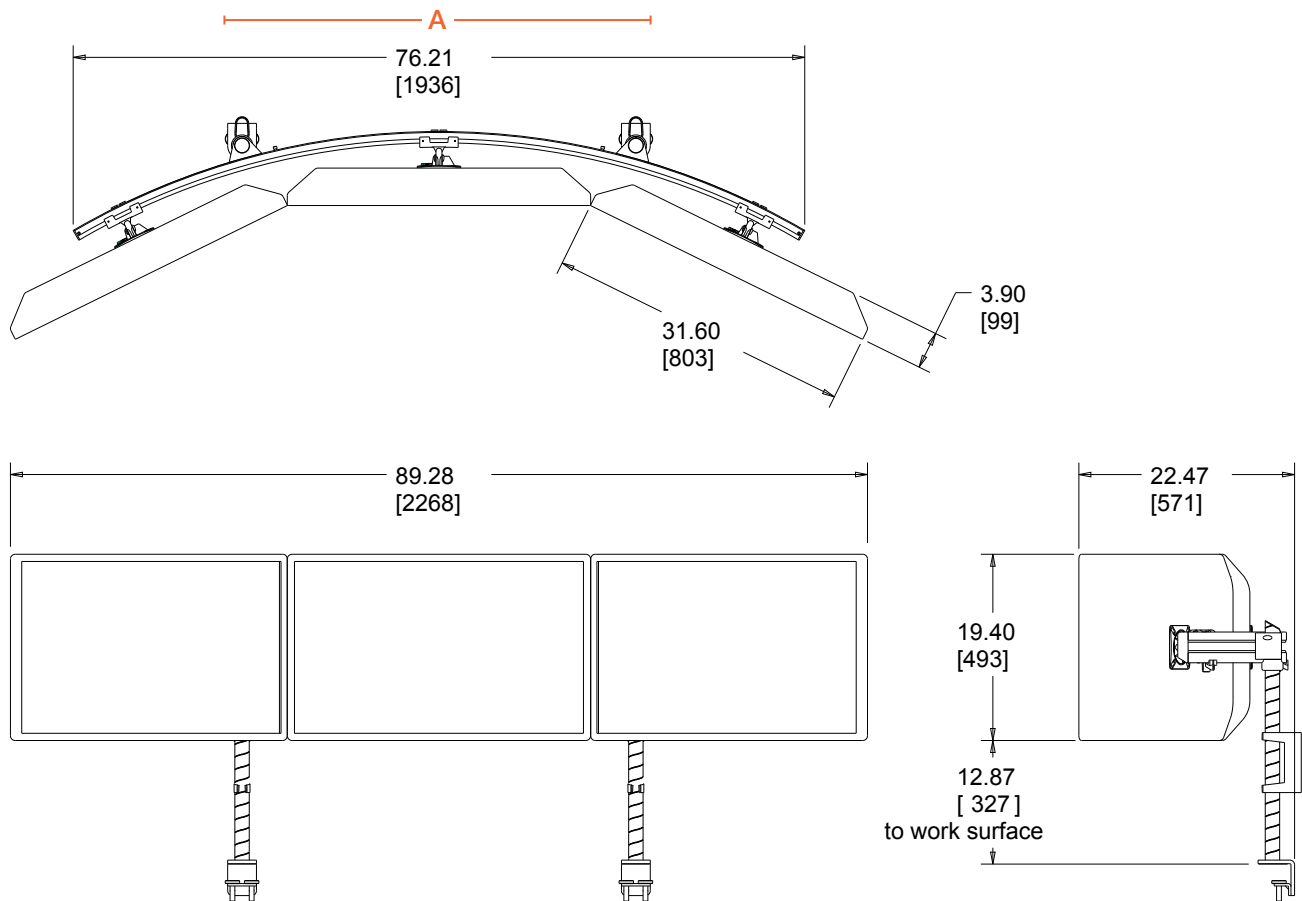
SAP B 24 L 3 ANT SIDE K
SAP B 24 L 3 CLMP HD K

Space requirements

- 76" of workspace
- (A) = amount of linear desk space needed from mount to mount (44.02" with heavy-duty clamps and 47.27" with Antenna center beam side mount)

Kits include

- Two 24" masts
- Three movement joint slides
- One 76" beam
- Two beam mast cable management clips
- Ten beam cable management clips
- Two mounts (either Antenna center beam side mounts or heavy-duty table clamp mounts)



Actual dimensions of monitors can vary and depending on monitor choice, some may extend beyond either side of the beam assembly. Maximum weight for each monitor is 20 pounds. Actual monitor size used in drawings: 19.4"H by 31.6"W.

Three 19" Monitors in Portrait

Suggested beam kits

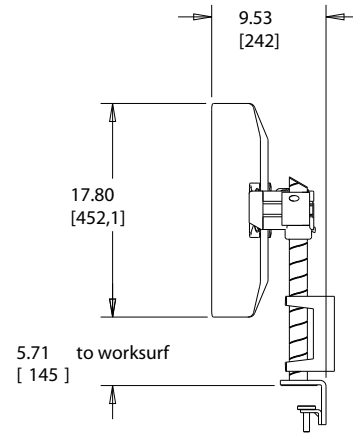
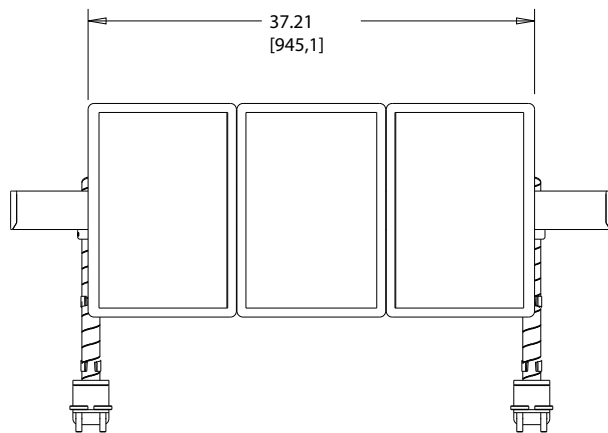
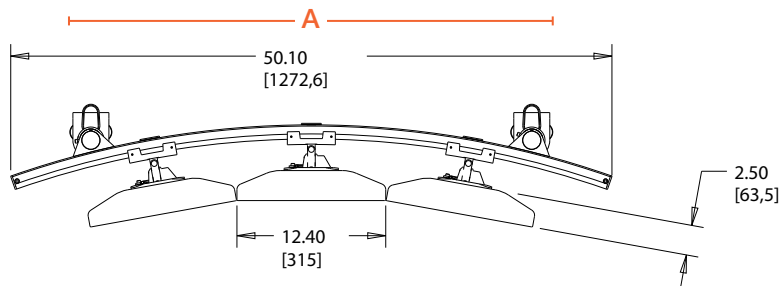
SAP B 16 S 3 ANT SIDE K
SAP B 16 S 3 CLMP HD K

Space requirements

- 50" of workspace
- (A) = amount of linear desk space needed from mount to mount (39.92" with heavy-duty clamps and 43.5" with Antenna center beam side mount)

Kits include

- Two 16" masts
- Three movement joint slides
- One 50" beam
- Two beam mast cable management clips
- Six beam cable management clips
- Two mounts (either Antenna center beam side mounts or heavy-duty table clamp mounts)



Actual dimensions of monitors can vary and depending on monitor choice, some may extend beyond either side of the beam assembly. Maximum weight for each monitor is 20 pounds. Actual monitor size used in drawings: 17.8"H by 12.4"W.

Three 20" Monitors in Portrait

Suggested beam kits

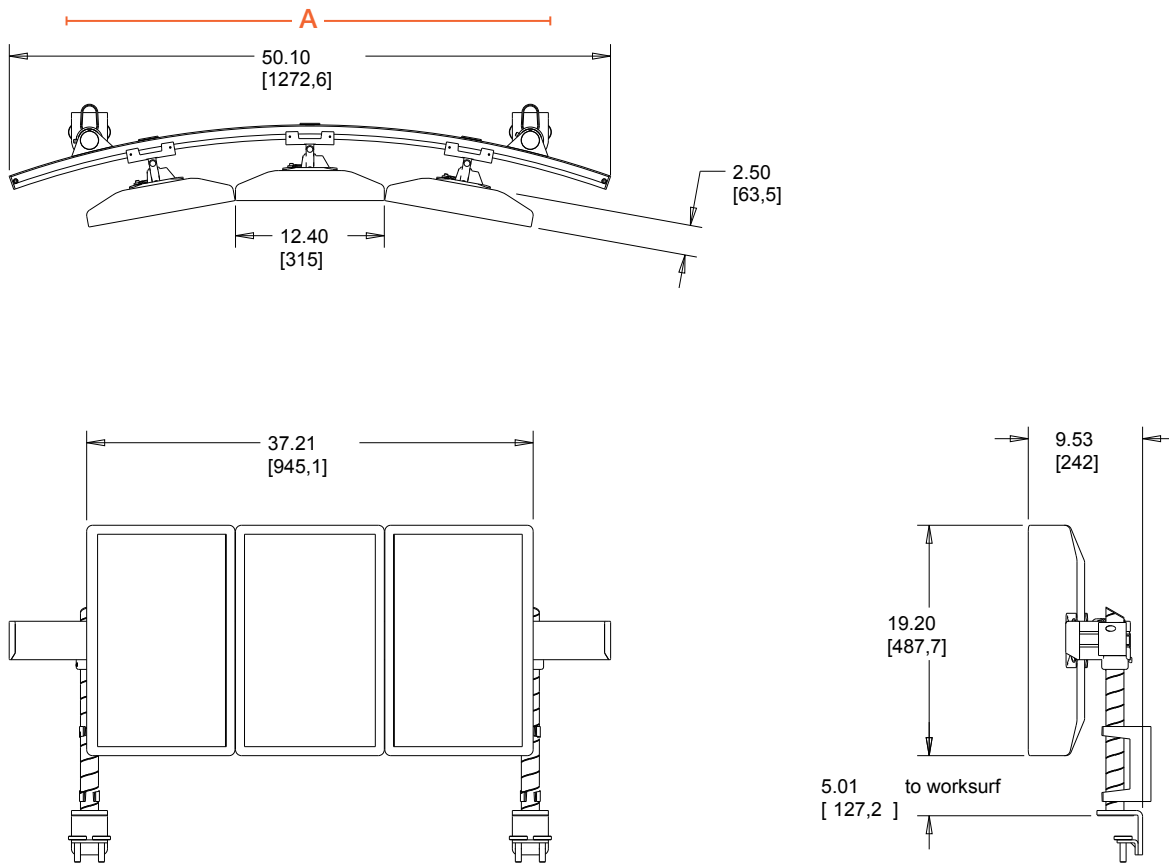
SAP B 16 S 3 ANT SIDE K
SAP B 16 S 3 CLMP HD K

Space requirements

- 50" of workspace
- (A) = amount of linear desk space needed from mount to mount (39.92" with heavy-duty clamps and 43.5" with Antenna center beam side mount)

Kits include

- Two 16" masts
- Three movement joint slides
- One 50" beam
- Two beam mast cable management clips
- Six beam cable management clips
- Two mounts (either Antenna center beam side mounts or heavy-duty table clamp mounts)



Actual dimensions of monitors can vary and depending on monitor choice, some may extend beyond either side of the beam assembly. Maximum weight for each monitor is 20 pounds. Actual monitor size used in drawings: 19.2"H by 12.4"W.

Three 22" Monitors in Portrait

Suggested beam kits

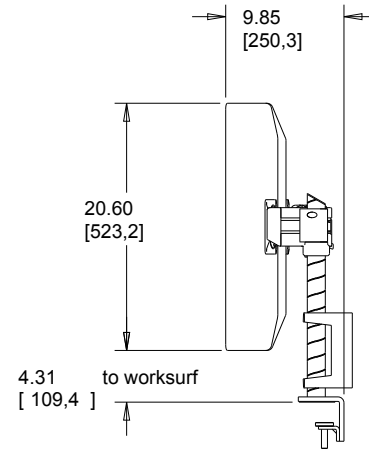
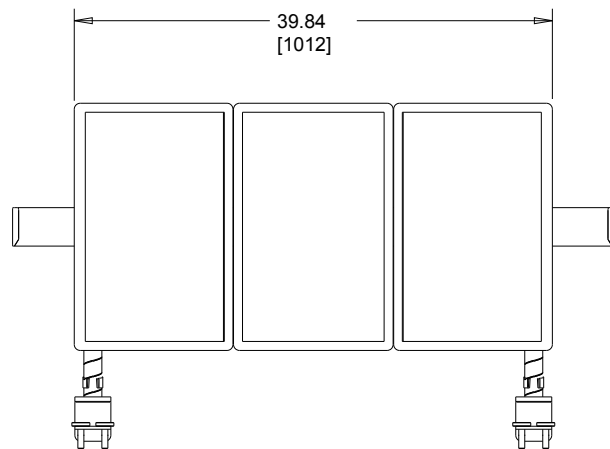
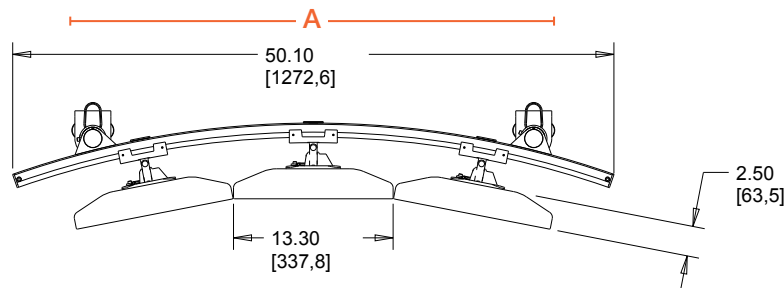
SAP B 16 S 3 ANT SIDE K
SAP B 16 S 3 CLMP HD K

Space requirements

- 50" of workspace
- (A) = amount of linear desk space needed from mount to mount (39.92" with heavy-duty clamps and 43.5" with Antenna center beam side mount)

Kits include

- Two 16" masts
- Three movement joint slides
- One 50" beam
- Two beam mast cable management clips
- Six beam cable management clips
- Two mounts (either Antenna center beam side mounts or heavy-duty table clamp mounts)



Actual dimensions of monitors can vary and depending on monitor choice, some may extend beyond either side of the beam assembly. Maximum weight for each monitor is 20 pounds. Actual monitor size used in drawings: 20.6"H by 13.3"W.

Three 24" Monitors in Portrait

Suggested beam kits

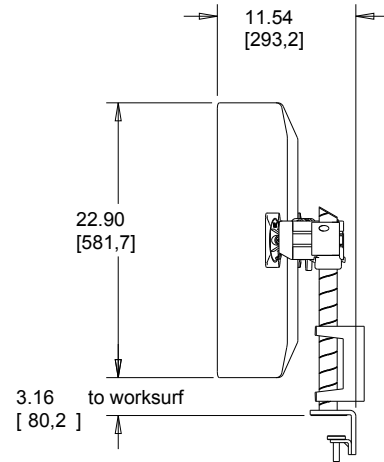
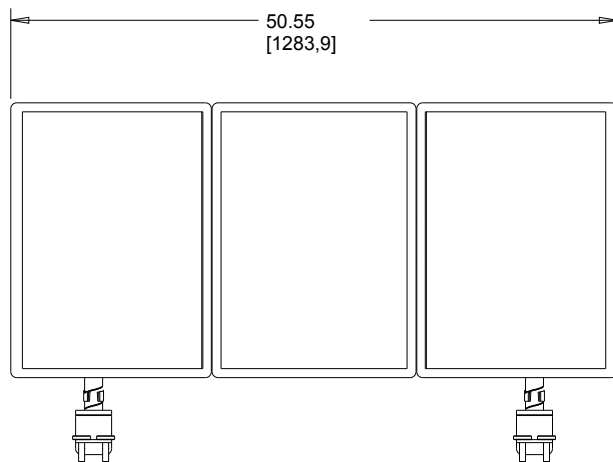
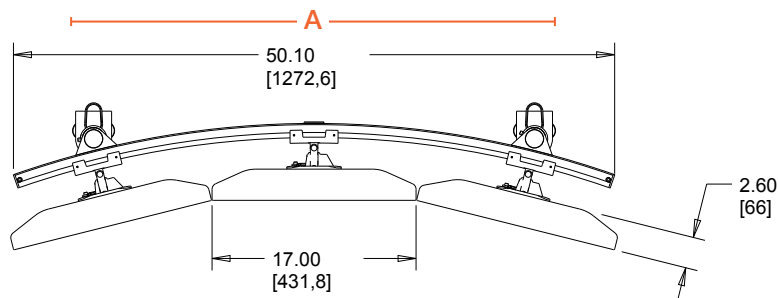
SAP B 16 S 3 ANT SIDE K
SAP B 16 S 3 CLMP HD K

Space requirements

- 50" of workspace
- (A) = amount of linear desk space needed from mount to mount (39.92" with heavy-duty clamps and 43.5" with Antenna center beam side mount)

Kits include

- Two 16" masts
- Three movement joint slides
- One 50" beam
- Two beam mast cable management clips
- Six beam cable management clips
- Two mounts (either Antenna center beam side mounts or heavy-duty table clamp mounts)



Actual dimensions of monitors can vary and depending on monitor choice, some may extend beyond either side of the beam assembly. Maximum weight for each monitor is 20 pounds. Actual monitor size used in drawings: 22.9"H by 17"W.

Three 28" Monitors in Portrait

Suggested beam kits

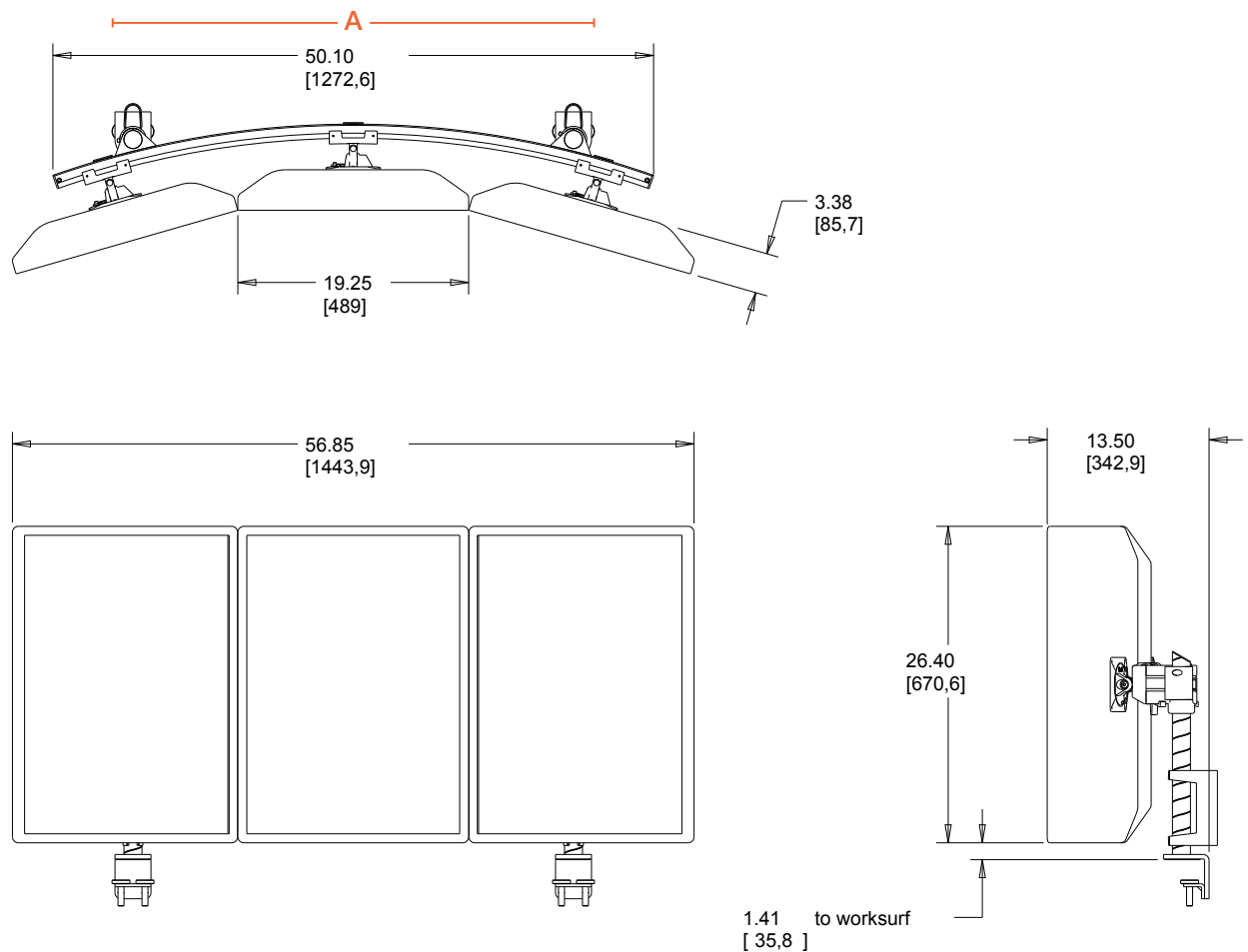
SAP B 16 S 3 ANT SIDE K
SAP B 16 S 3 CLMP HD K

Space requirements

- 50" of workspace
- (A) = amount of linear desk space needed from mount to mount (39.92" with heavy-duty clamps and 43.5" with Antenna center beam side mount)

Kits include

- Two 16" masts
- Three movement joint slides
- One 50" beam
- Two beam mast cable management clips
- Six beam cable management clips
- Two mounts (either Antenna center beam side mounts or heavy-duty table clamp mounts)



Actual dimensions of monitors can vary and depending on monitor choice, some may extend beyond either side of the beam assembly. Maximum weight for each monitor is 20 pounds. Actual monitor size used in drawings: 26.4"H by 19.25"W.

Three 30" Monitors in Portrait

Suggested beam kits

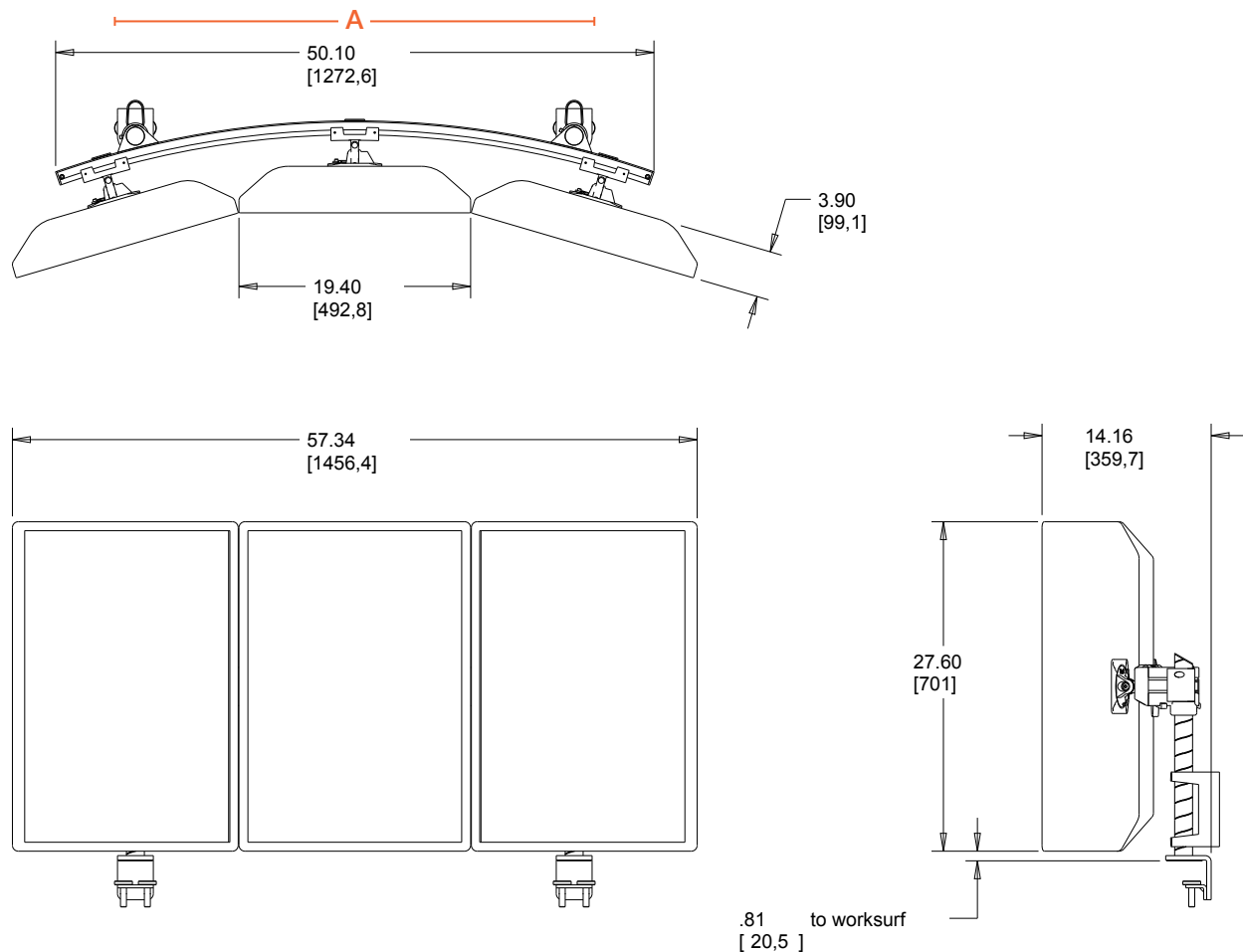
SAP B 16 S 3 ANT SIDE K
 SAP B 16 S 3 CLMP HD K

Space requirements

- 50" of workspace
- (A) = amount of linear desk space needed from mount to mount (39.92" with heavy-duty clamps and 43.5" with Antenna center beam side mount)

Kits include

- Two 16" masts
- Three movement joint slides
- One 50" beam
- Two beam mast cable management clips
- Six beam cable management clips
- Two mounts (either Antenna center beam side mounts or heavy-duty table clamp mounts)



Actual dimensions of monitors can vary and depending on monitor choice, some may extend beyond either side of the beam assembly. Maximum weight for each monitor is 20 pounds. Actual monitor size used in drawings: 27.6"H by 19.4"W.

Three 32" Monitors in Portrait

Suggested beam kits

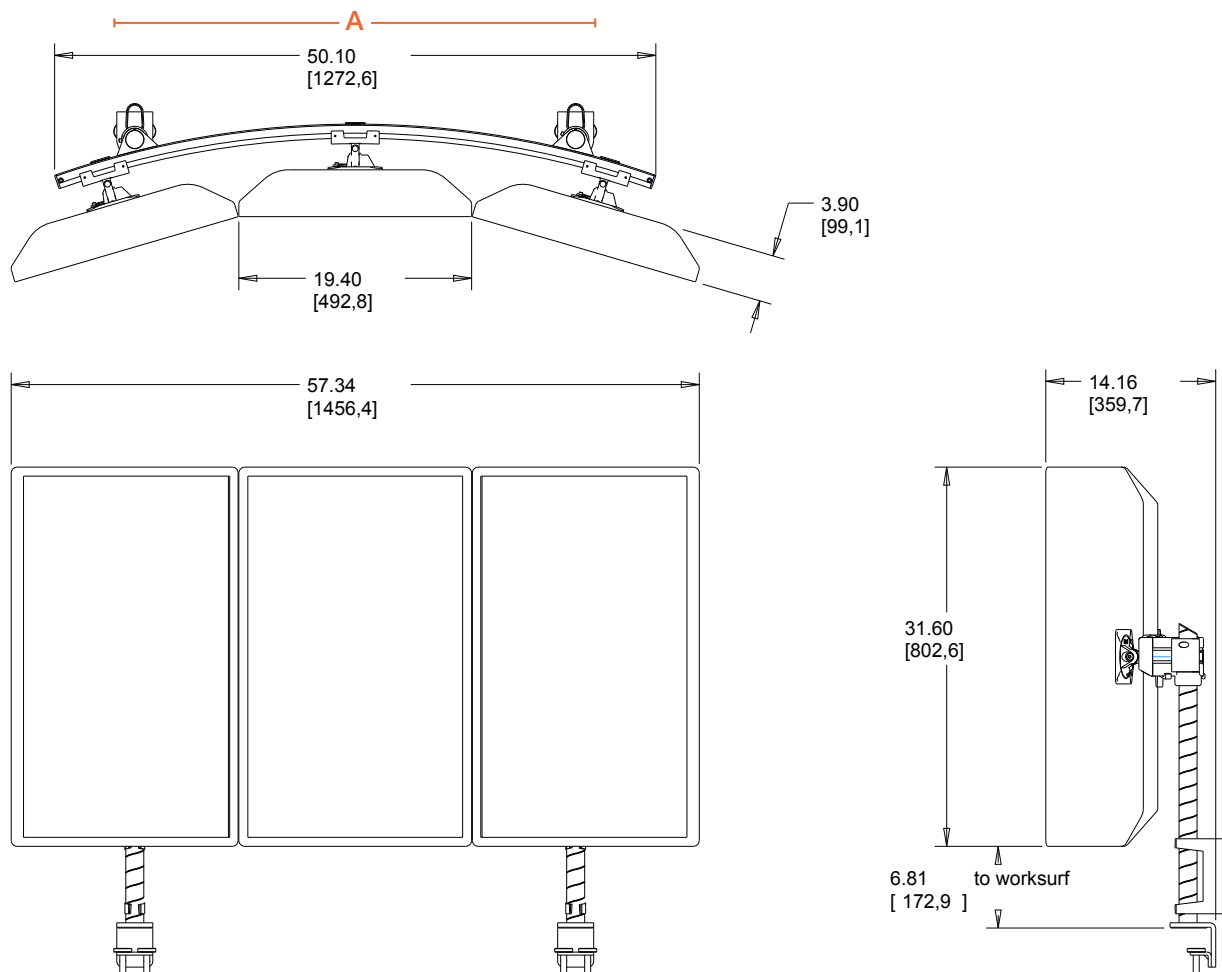
SAP B 24 S 3 ANT SIDE K
 SAP B 24 S 3 CLMP HD K

Space requirements

- 50" of workspace
- (A) = amount of linear desk space needed from mount to mount (39.92" with heavy-duty clamps and 43.5" with Antenna center beam side mount)

Kits include

- Two 24" masts
- Three movement joint slides
- One 50" beam
- Two beam mast cable management clips
- Six beam cable management clips
- Two mounts (either Antenna center beam side mounts or heavy-duty table clamp mounts)



Actual dimensions of monitors can vary and depending on monitor choice, some may extend beyond either side of the beam assembly. Maximum weight for each monitor is 20 pounds. Actual monitor size used in drawings: 31.6"H by 19.4"W.

Four 19" Monitors in Landscape

Suggested beam kits

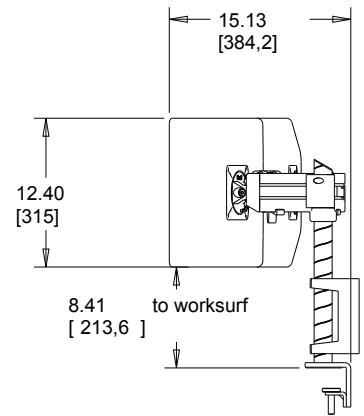
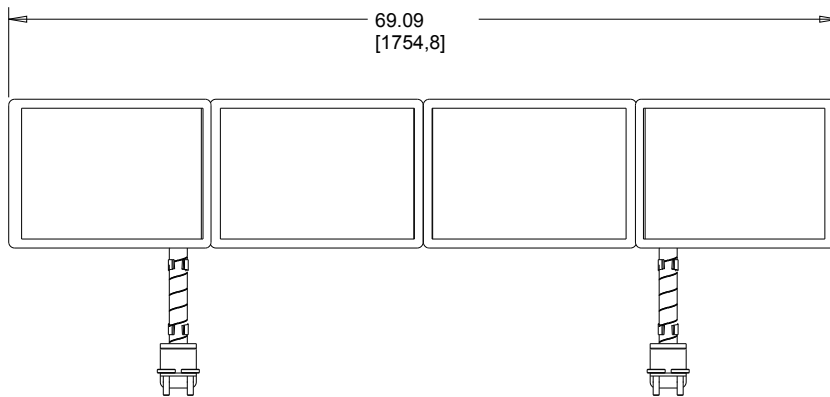
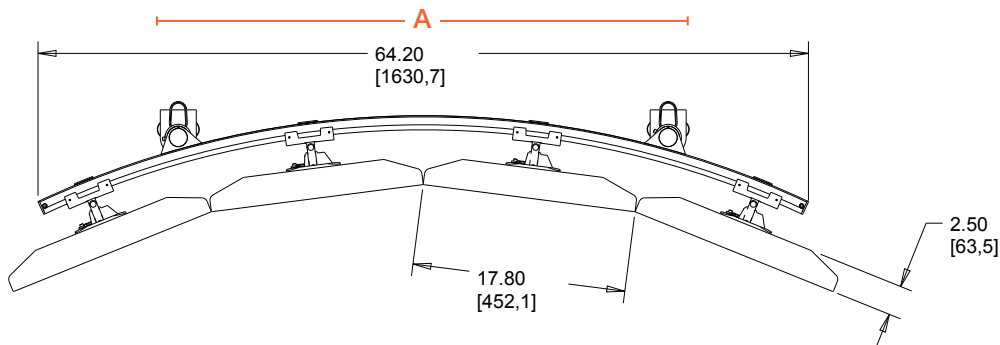
SAP B 16 M 4 ANT SIDE K
 SAP B 16 M 4 CLMP HD K

Space requirements

- 64" of workspace
- (A) = amount of linear desk space needed from mount to mount (44.02" with heavy-duty clamps and 47.27" with Antenna center beam side mount)

Kits include

- Two 16" masts
- Four movement joint slides
- One 64" beam
- Two beam mast cable management clips
- Eight beam cable management clips
- Two mounts (either Antenna center beam side mounts or heavy-duty table clamp mounts)



Actual dimensions of monitors can vary and depending on monitor choice, some may extend beyond either side of the beam assembly. Maximum weight for each monitor is 20 pounds. Actual monitor size used in drawings: 12.4"H by 17.8"W.

Four 20" Monitors in Landscape

Suggested beam kits

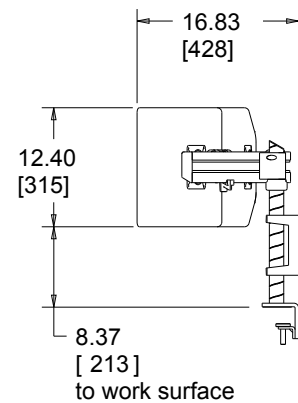
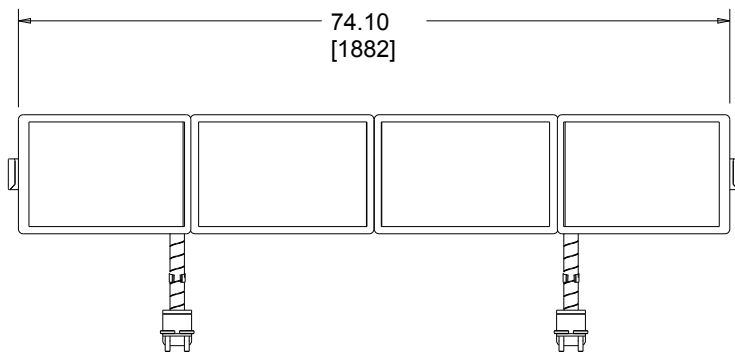
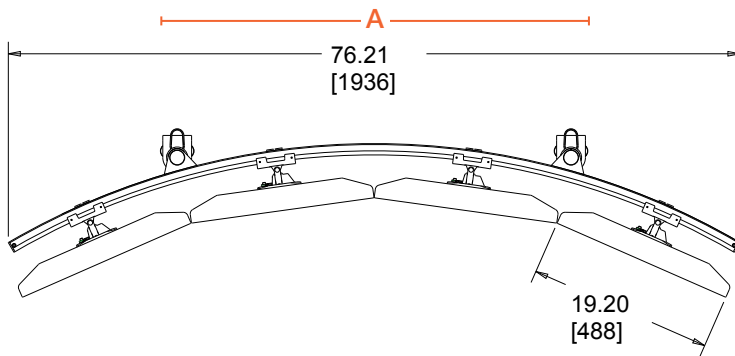
SAP B 16 L 4 ANT SIDE K
 SAP B 16 L 4 CLMP HD K

Space requirements

- 76" of workspace
- (A) = amount of linear desk space needed from mount to mount (44.02" with heavy-duty clamps and 47.27" with Antenna center beam side mount)

Kits include

- Two 16" masts
- Four movement joint slides
- One 76" beam
- Two beam mast cable management clips
- Ten beam cable management clips
- Two mounts (either Antenna center beam side mounts or heavy-duty table clamp mounts)



Actual dimensions of monitors can vary and depending on monitor choice, some may extend beyond either side of the beam assembly. Maximum weight for each monitor is 20 pounds. Actual monitor size used in drawings: 12.4"H by 19.2"W.

Four 22" Monitors in Landscape

Suggested beam kits

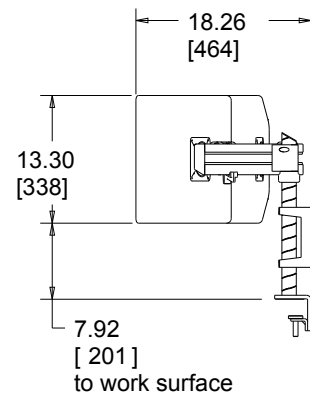
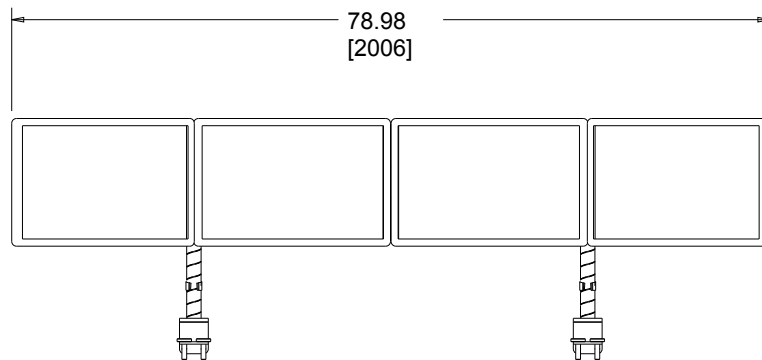
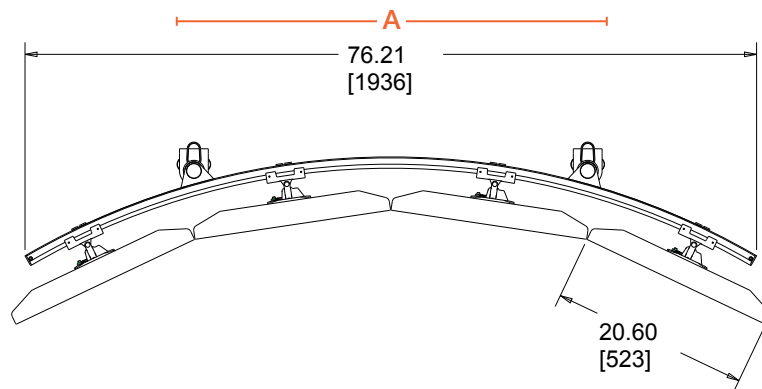
SAP B 16 L 4 ANT SIDE K
SAP B 16 L 4 CLMP HD K

Space requirements

- 76" of workspace
- (A) = amount of linear desk space needed from mount to mount (44.02" with heavy-duty clamps and 47.27" with Antenna center beam side mount)

Kits include

- Two 16" masts
- Four movement joint slides
- One 76" beam
- Two beam mast cable management clips
- Ten beam cable management clips
- Two mounts (either Antenna center beam side mounts or heavy-duty table clamp mounts)



Actual dimensions of monitors can vary and depending on monitor choice, some may extend beyond either side of the beam assembly. Maximum weight for each monitor is 20 pounds. Actual monitor size used in drawings: 13.3"H by 20.6"W.

Four 24" Monitors in Landscape

Suggested beam kits

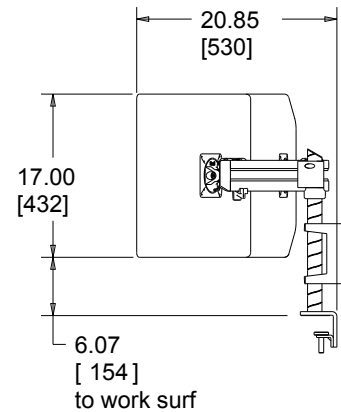
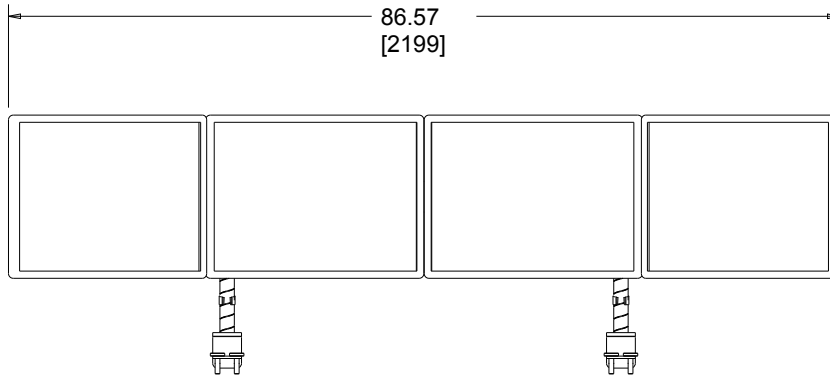
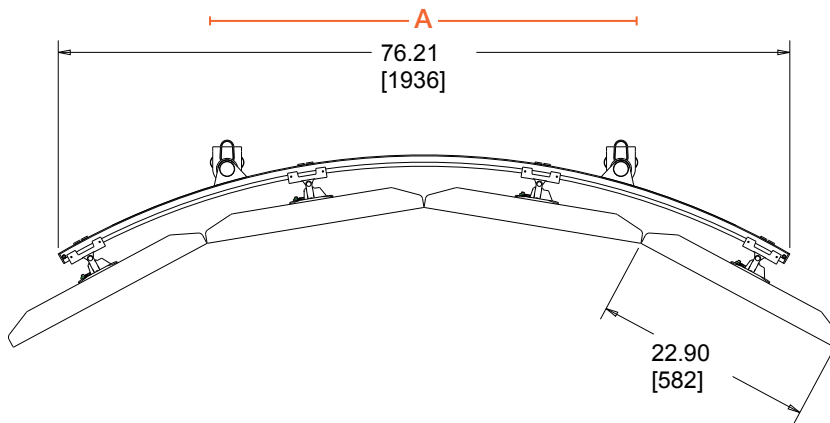
SAP B 16 L 4 ANT SIDE K
SAP B 16 L 4 CLMP HD K

Space requirements

- 76" of workspace
- (A) = amount of linear desk space needed from mount to mount (44.02" with heavy-duty clamps and 47.27" with Antenna center beam side mount)

Kits include

- Two 16" masts
- Four movement joint slides
- One 76" beam
- Two beam mast cable management clips
- Ten beam cable management clips
- Two mounts (either Antenna center beam side mounts or heavy-duty table clamp mounts)



Actual dimensions of monitors can vary and depending on monitor choice, some may extend beyond either side of the beam assembly. Maximum weight for each monitor is 20 pounds. Actual monitor size used in drawings: 17"H by 22.9"W.

Four 19" Monitors in Portrait

Suggested beam kits

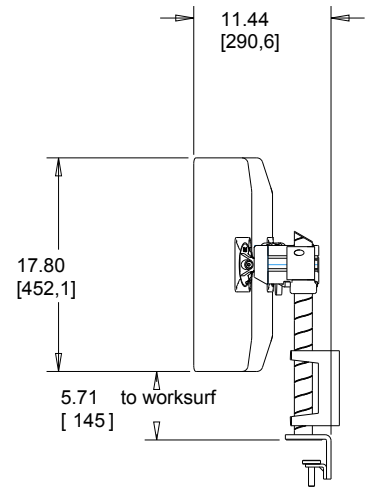
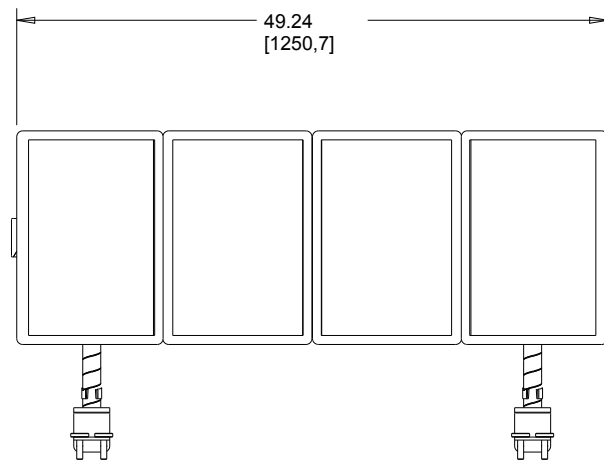
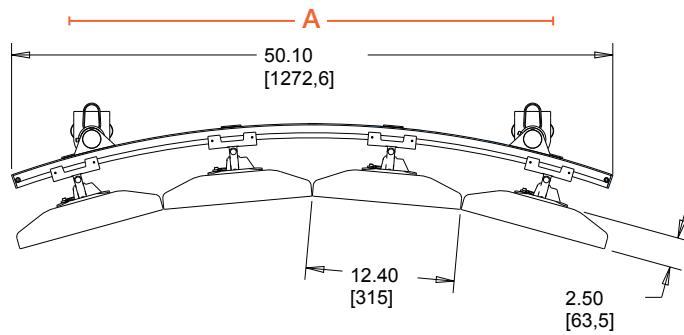
SAP B 16 S 4 ANT SIDE K
SAP B 16 S 4 CLMP HD K

Space requirements

- 50" of workspace
- (A) = amount of linear desk space needed from mount to mount (39.92" with heavy-duty clamps and 43.5" with Antenna center beam side mount)

Kits include

- Two 16" masts
- Four movement joint slides
- One 50" beam
- Two beam mast cable management clips
- Six beam cable management clips
- Two mounts (either Antenna center beam side mounts or heavy-duty table clamp mounts)



Actual dimensions of monitors can vary and depending on monitor choice, some may extend beyond either side of the beam assembly. Maximum weight for each monitor is 20 pounds. Actual monitor size used in drawings: 17.8"H by 12.4"W.

Four 20" Monitors in Portrait

Suggested beam kits

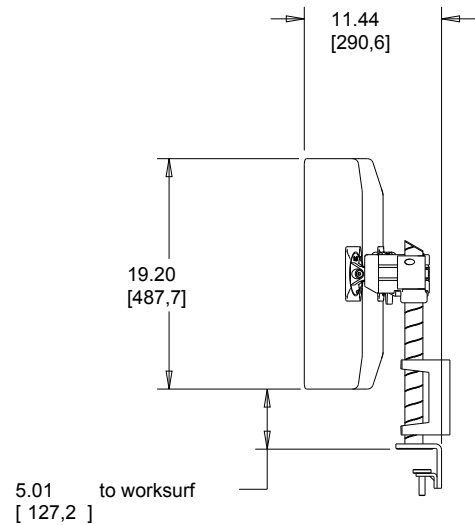
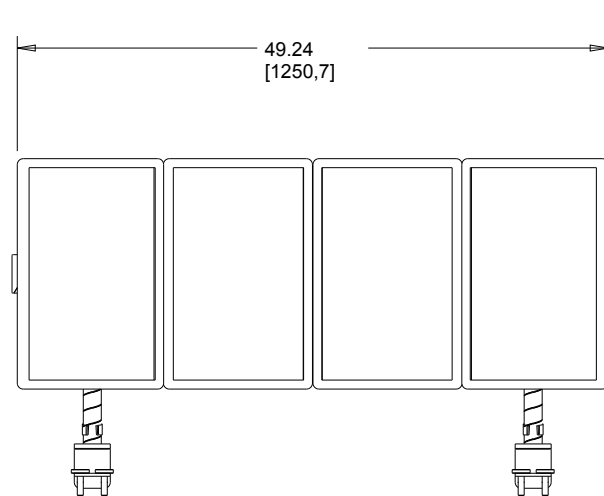
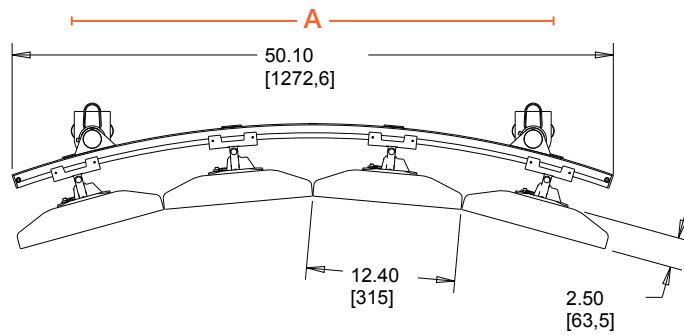
SAP B 16 S 4 ANT SIDE K
SAP B 16 S 4 CLMP HD K

Space requirements

- 50" of workspace
- (A) = amount of linear desk space needed from mount to mount (39.92" with heavy-duty clamps and 43.5" with Antenna center beam side mount)

Kits include

- Two 16" masts
- Four movement joint slides
- One 50" beam
- Two beam mast cable management clips
- Six beam cable management clips
- Two mounts (either Antenna center beam side mounts or heavy-duty table clamp mounts)



Actual dimensions of monitors can vary and depending on monitor choice, some may extend beyond either side of the beam assembly. Maximum weight for each monitor is 20 pounds. Actual monitor size used in drawings: 19.2"H by 12.4"W.

Four 22" Monitors in Portrait

Suggested beam kits

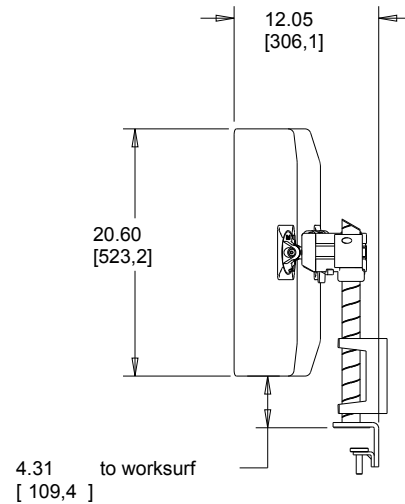
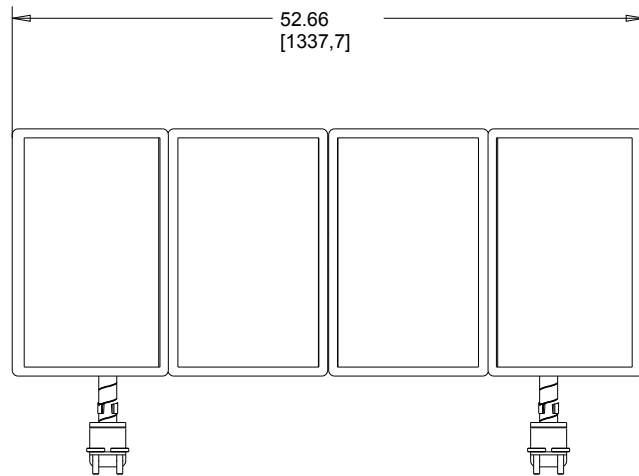
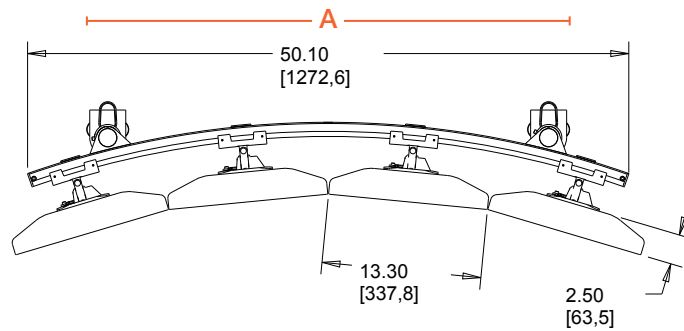
SAP B 16 S 4 ANT SIDE K
 SAP B 16 S 4 CLMP HD K

Space requirements

- 50" of workspace
- (A) = amount of linear desk space needed from mount to mount (39.92" with heavy-duty clamps and 43.5" with Antenna center beam side mount)

Kits include

- Two 16" masts
- Four movement joint slides
- One 50" beam
- Two beam mast cable management clips
- Six beam cable management clips
- Two mounts (either Antenna center beam side mounts or heavy-duty table clamp mounts)



Actual dimensions of monitors can vary and depending on monitor choice, some may extend beyond either side of the beam assembly. Maximum weight for each monitor is 20 pounds. Actual monitor size used in drawings: 20.6"H by 13.3"W.

Four 24" Monitors in Portrait

Suggested beam kits

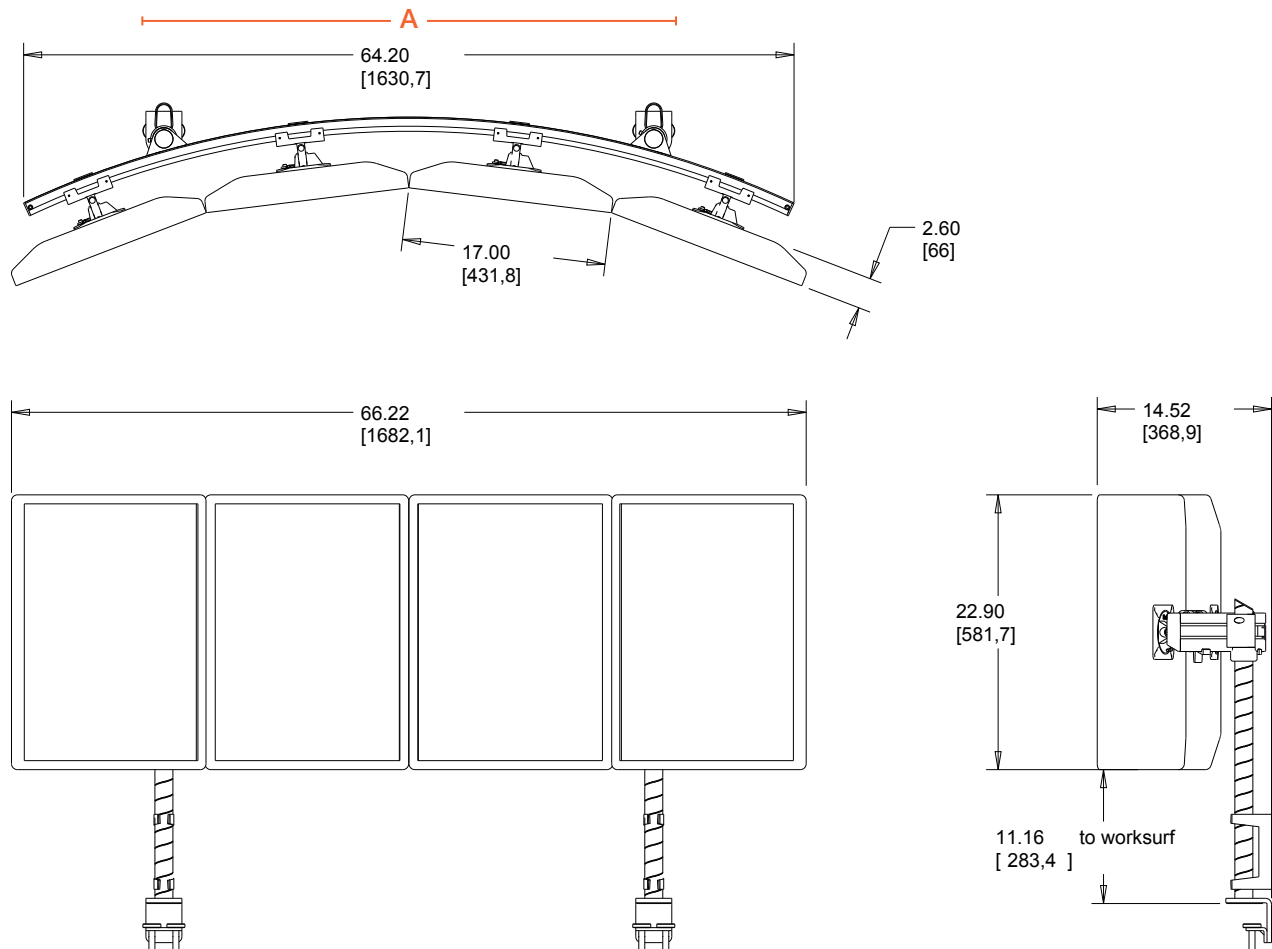
SAP B 24 M 4 ANT SIDE K
 SAP B 24 M 4 CLMP HD K

Space requirements

- 64" of workspace
- (A) = amount of linear desk space needed from mount to mount (44.02" with heavy-duty clamps and 47.27" with Antenna center beam side mount)

Kits include

- Two 24" masts
- Four movement joint slides
- One 64" beam
- Two beam mast cable management clips
- Eight beam cable management clips
- Two mounts (either Antenna center beam side mounts or heavy-duty table clamp mounts)



Actual dimensions of monitors can vary and depending on monitor choice, some may extend beyond either side of the beam assembly. Maximum weight for each monitor is 20 pounds. Actual monitor size used in drawings: 22.9"H by 17"W.

Four 28" Monitors in Portrait

Suggested beam kits

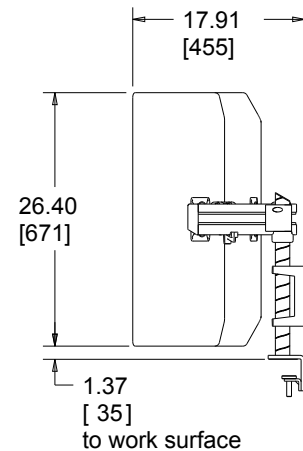
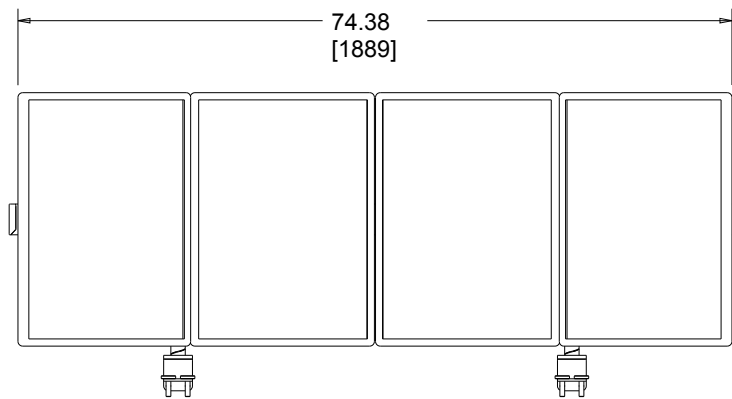
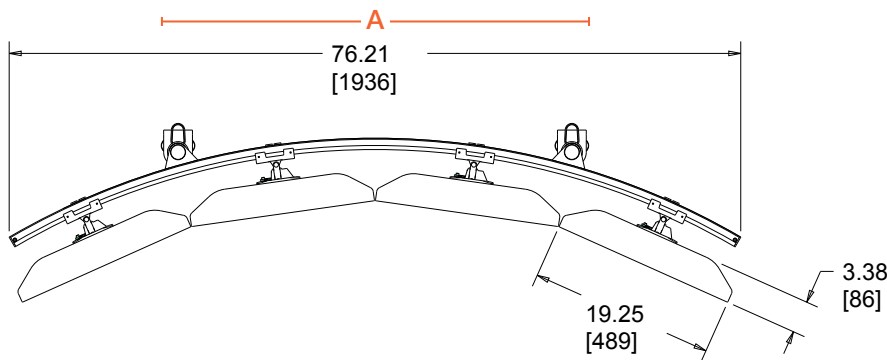
SAP B 16 L 4 ANT SIDE K
 SAP B 16 L 4 CLMP HD K

Space requirements

- 76" of workspace
- (A) = amount of linear desk space needed from mount to mount (44.02" with heavy-duty clamps and 47.27" with Antenna center beam side mount)

Kits include

- Two 16" masts
- Four movement joint slides
- One 76" beam
- Two beam mast cable management clips
- Ten beam cable management clips
- Two mounts (either Antenna center beam side mounts or heavy-duty table clamp mounts)



Actual dimensions of monitors can vary and depending on monitor choice, some may extend beyond either side of the beam assembly. Maximum weight for each monitor is 20 pounds. Actual monitor size used in drawings: 26.4"H by 19.25"W.

Four 30" Monitors in Portrait

Suggested beam kits

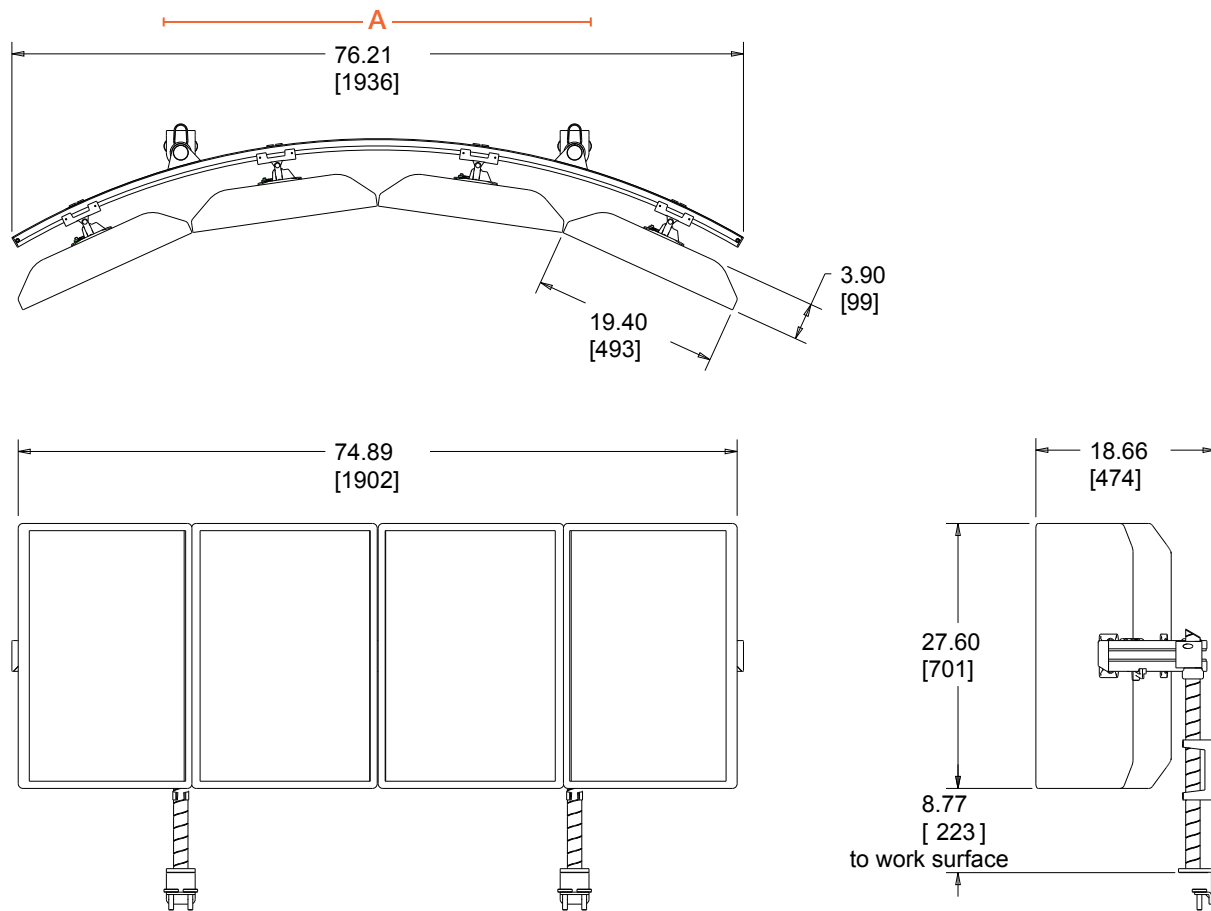
SAP B 24 L 4 ANT SIDE K
 SAP B 24 L 4 CLMP HD K

Space requirements

- 76" of workspace
- (A) = amount of linear desk space needed from mount to mount (44.02" with heavy-duty clamps and 47.27" with Antenna center beam side mount)

Kits include

- Two 24" masts
- Four movement joint slides
- One 76" beam
- Two beam mast cable management clips
- Ten beam cable management clips
- Two mounts (either Antenna center beam side mounts or heavy-duty table clamp mounts)



Actual dimensions of monitors can vary and depending on monitor choice, some may extend beyond either side of the beam assembly. Maximum weight for each monitor is 20 pounds. Actual monitor size used in drawings: 27.6"H by 19.4"W.

Four 32" Monitors in Portrait

Suggested beam kits

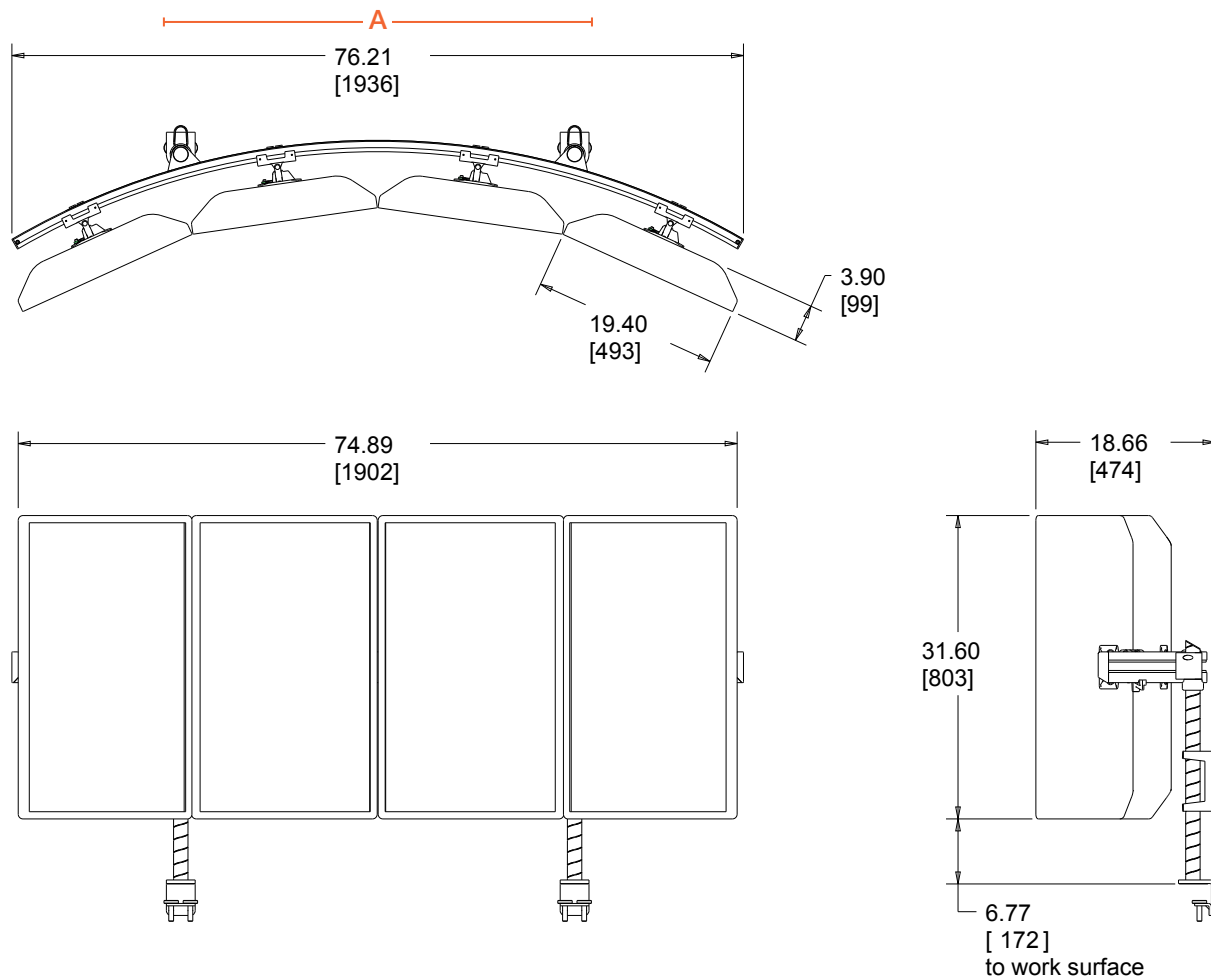
SAP B 24 L 4 ANT SIDE K
 SAP B 24 L 4 CLMP HD K

Space requirements

- 76" of workspace
- (A) = amount of linear desk space needed from mount to mount (44.02" with heavy-duty clamps and 47.27" with Antenna center beam side mount)

Kits include

- Two 24" masts
- Four movement joint slides
- One 76" beam
- Two beam mast cable management clips
- Ten beam cable management clips
- Two mounts (either Antenna center beam side mounts or heavy-duty table clamp mounts)



Actual dimensions of monitors can vary and depending on monitor choice, some may extend beyond either side of the beam assembly. Maximum weight for each monitor is 20 pounds. Actual monitor size used in drawings: 31.6"H by 19.4"W.

Six 19" Monitors in Landscape

Suggested beam kits

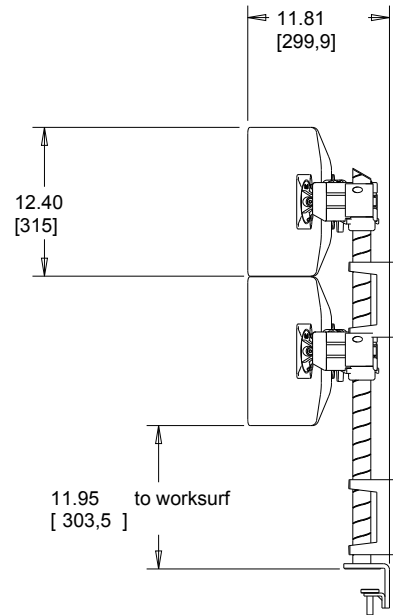
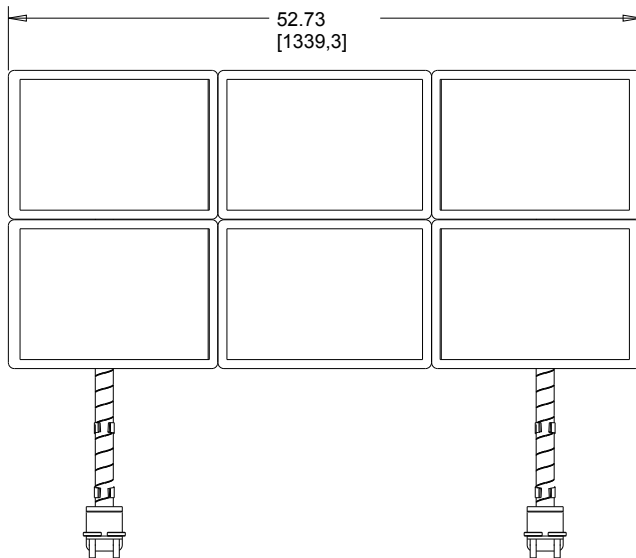
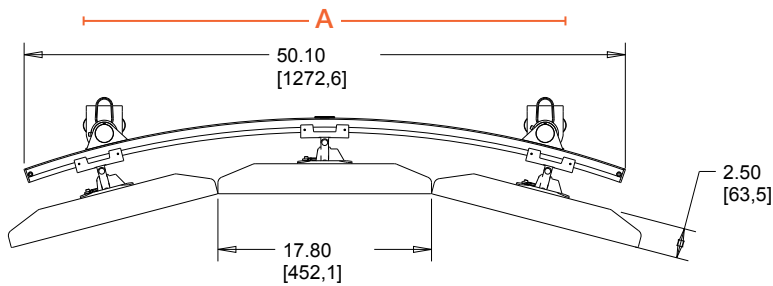
SAP B 32 S 6 ANT SIDE K
 SAP B 32 S 6 CLMP HD K

Space requirements

- 50" of workspace
- (A) = amount of linear desk space needed from mount to mount (39.92" with heavy-duty clamps and 43.5" with Antenna center beam side mount)

Kits include

- Two 32" masts
- Six movement joint slides
- Two 50" beams
- Four beam mast cable management clips
- Twelve beam cable management clips
- Two mounts (either Antenna center beam side mounts or heavy-duty table clamp mounts)



Actual dimensions of monitors can vary and depending on monitor choice, some may extend beyond either side of the beam assembly. Maximum weight for each monitor is 20 pounds. Actual monitor size used in drawings: 12.4"H by 17.8"W.

Six 20" Monitors in Landscape

Suggested beam kits

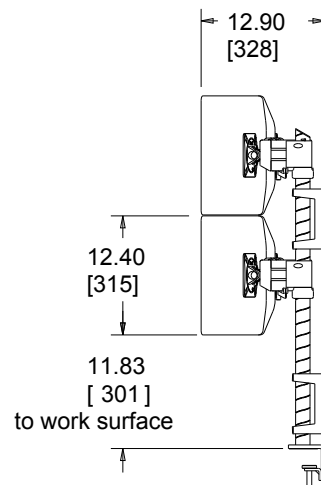
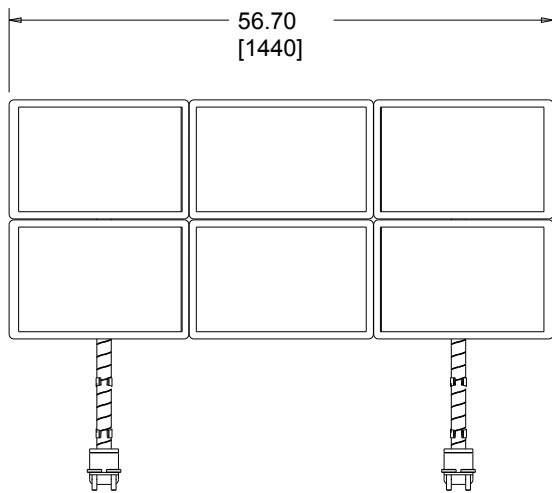
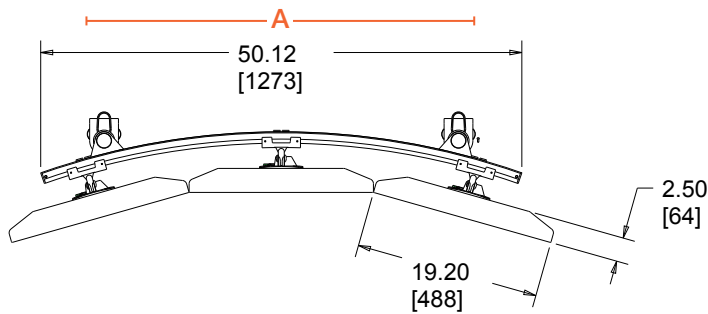
SAP B 32 S 6 ANT SIDE K
 SAP B 32 S 6 CLMP HD K

Space requirements

- 50" of workspace
- (A) = amount of linear desk space needed from mount to mount (39.92" with heavy-duty clamps and 43.5" with Antenna center beam side mount)

Kits include

- Two 32" masts
- Six movement joint slides
- Two 50" beams
- Four beam mast cable management clips
- Twelve beam cable management clips
- Two mounts (either Antenna center beam side mounts or heavy-duty table clamp mounts)



Actual dimensions of monitors can vary and depending on monitor choice, some may extend beyond either side of the beam assembly. Maximum weight for each monitor is 20 pounds. Actual monitor size used in drawings: 12.4"H by 19.2"W.

Six 22" Monitors in Landscape

Suggested beam kits

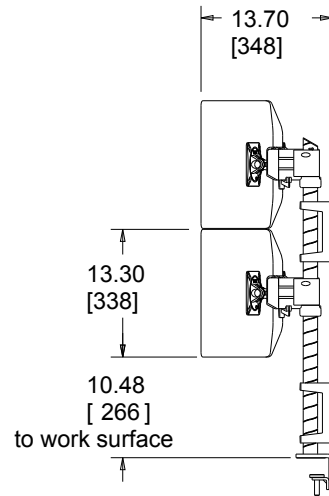
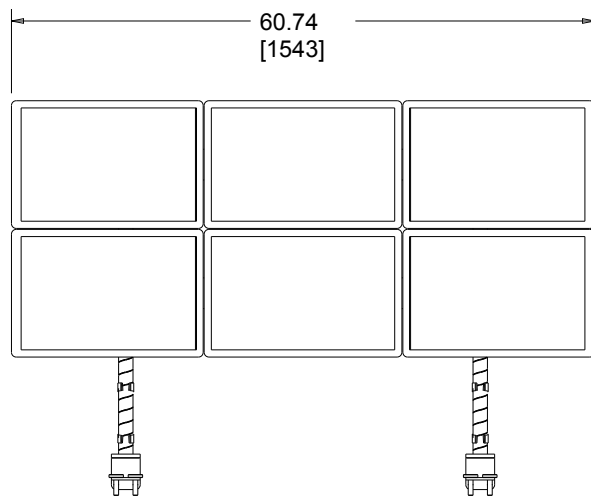
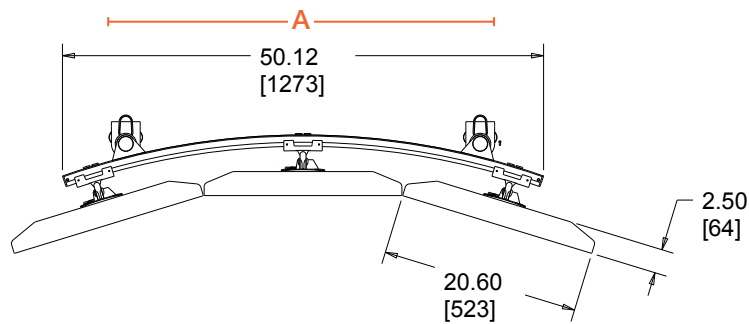
SAP B 32 S 6 ANT SIDE K
 SAP B 32 S 6 CLMP HD K

Space requirements

- 50" of workspace
- (A) = amount of linear desk space needed from mount to mount (39.92" with heavy-duty clamps and 43.5" with Antenna center beam side mount)

Kits include

- Two 32" masts
- Six movement joint slides
- Two 50" beams
- Four beam mast cable management clips
- Twelve beam cable management clips
- Two mounts (either Antenna center beam side mounts or heavy-duty table clamp mounts)



Actual dimensions of monitors can vary and depending on monitor choice, some may extend beyond either side of the beam assembly. Maximum weight for each monitor is 20 pounds. Actual monitor size used in drawings: 13.3"H by 20.6"W.

Six 24" Monitors in Landscape

Suggested beam kits

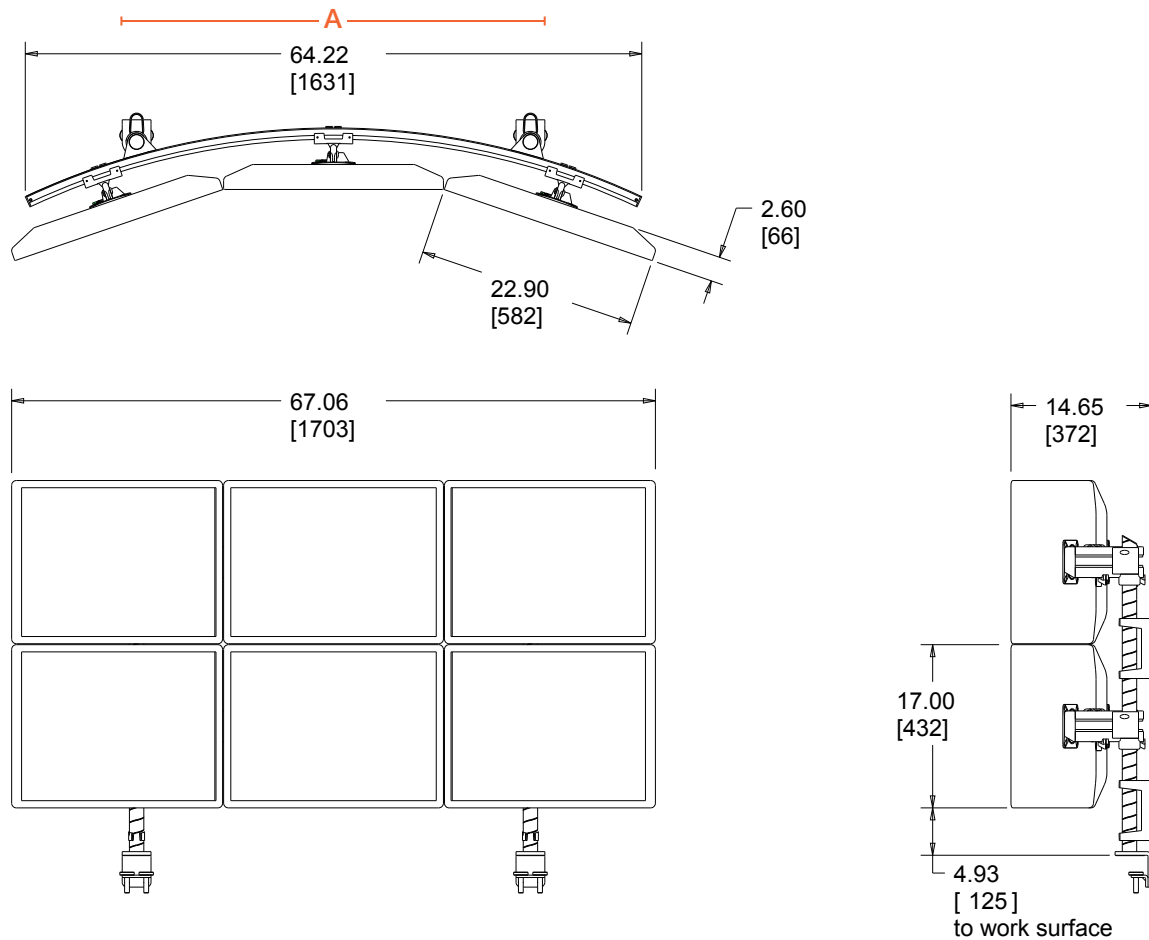
SAP B 32 M 6 ANT SIDE K
 SAP B 32 M 6 CLMP HD K

Space requirements

- 64" of workspace
- (A) = amount of linear desk space needed from mount to mount (44.02" with heavy-duty clamps and 47.27" with Antenna center beam side mount)

Kits include

- Two 32" masts
- Six movement joint slides
- Two 64" beams
- Four beam mast cable management clips
- Sixteen beam cable management clips
- Two mounts (either Antenna center beam side mounts or heavy-duty table clamp mounts)



Actual dimensions of monitors can vary and depending on monitor choice, some may extend beyond either side of the beam assembly. Maximum weight for each monitor is 20 pounds. Actual monitor size used in drawings: 17"H by 22.9"W.

Six 28" Monitors in Landscape

Suggested beam kits

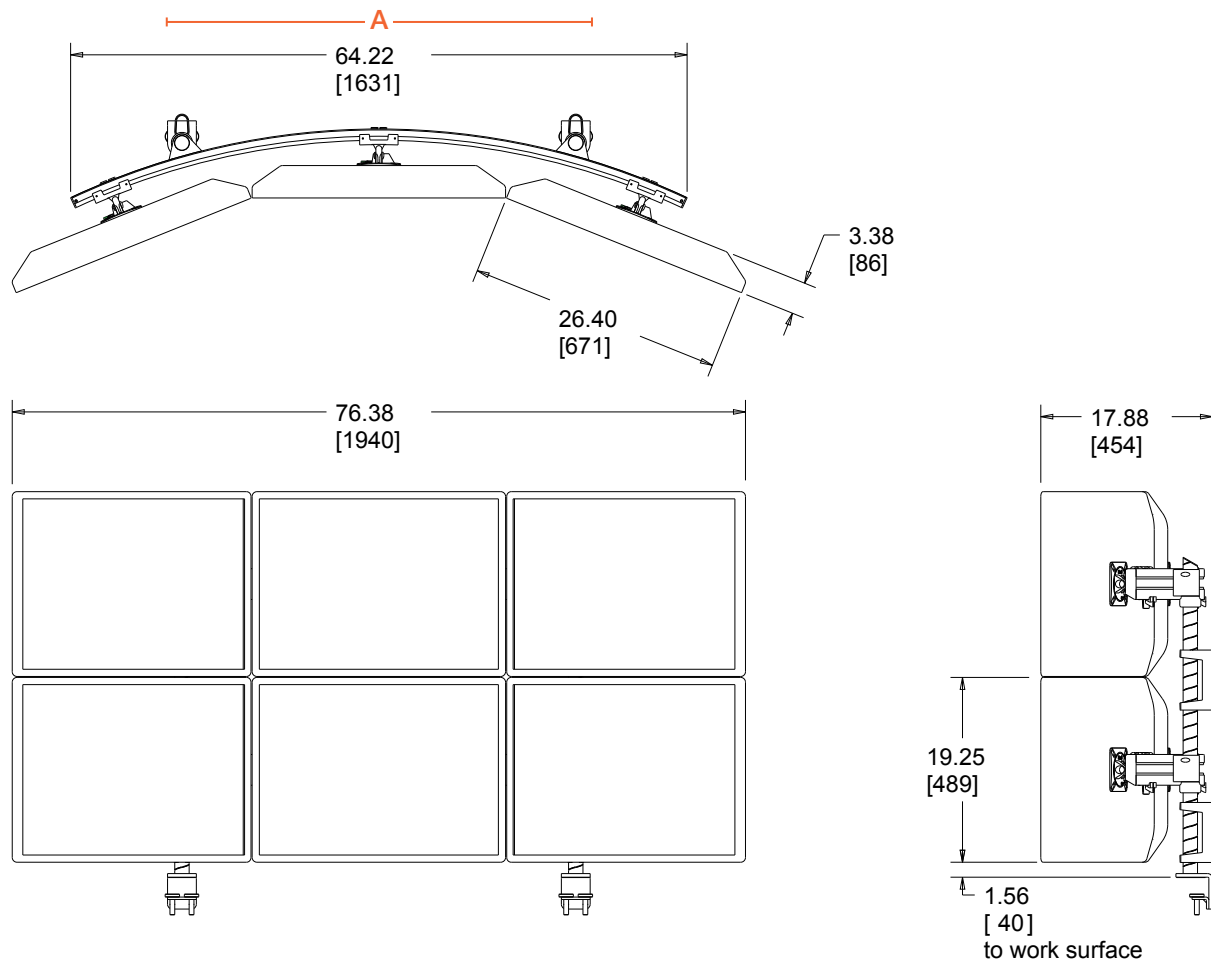
SAP B 32 M 6 ANT SIDE K
 SAP B 32 M 6 CLMP HD K

Space requirements

- 64" of workspace
- (A) = amount of linear desk space needed from mount to mount (44.02" with heavy-duty clamps and 47.27" with Antenna center beam side mount)

Kits include

- Two 32" masts
- Six movement joint slides
- Two 64" beams
- Four beam mast cable management clips
- Sixteen beam cable management clips
- Two mounts (either Antenna center beam side mounts or heavy-duty table clamp mounts)



Actual dimensions of monitors can vary and depending on monitor choice, some may extend beyond either side of the beam assembly. Maximum weight for each monitor is 20 pounds. Actual monitor size used in drawings: 19.25"H by 26.4"W.

Six 30" Monitors in Landscape

Suggested beam kits

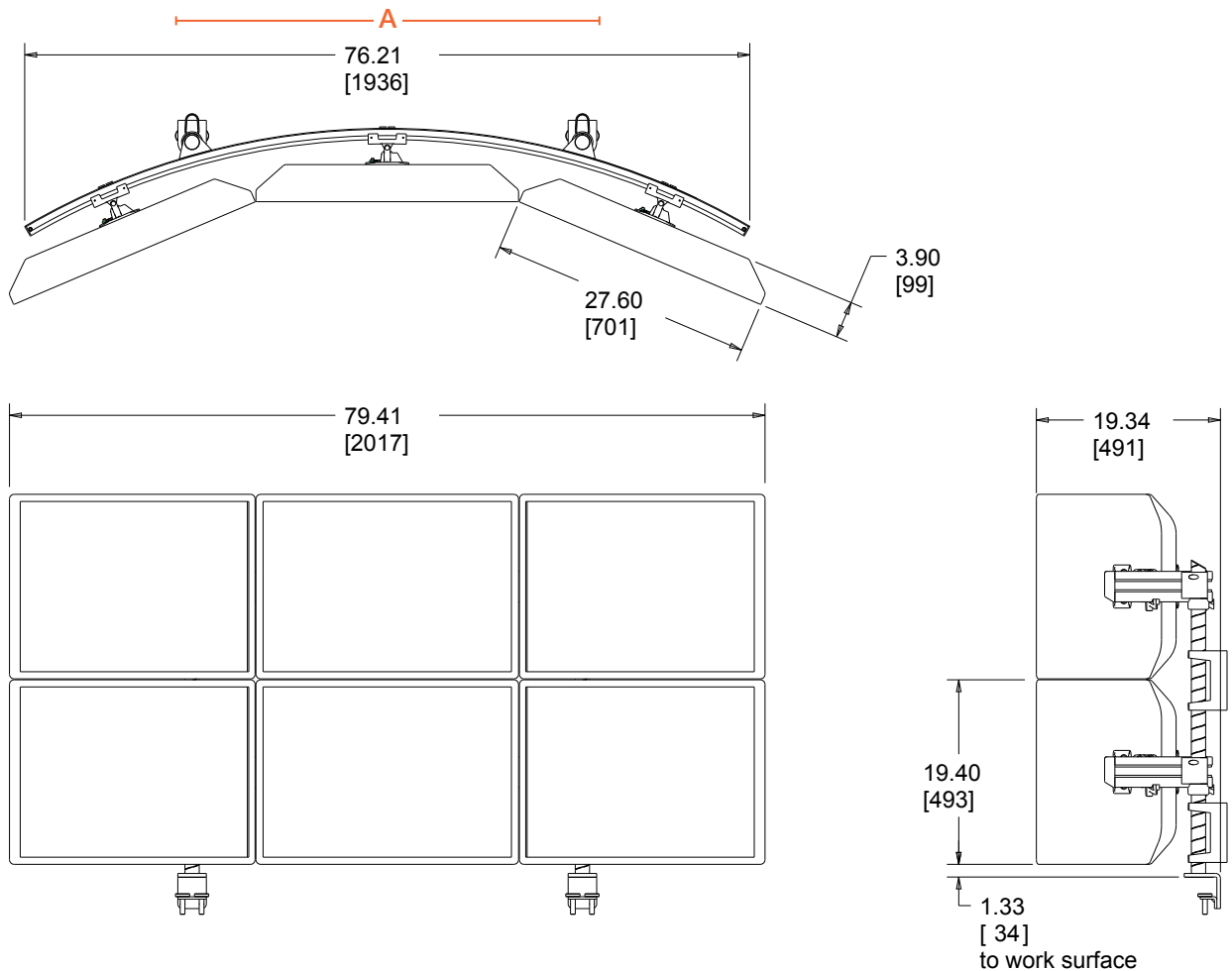
SAP B 32 L 6 ANT SIDE K
 SAP B 32 L 6 CLMP HD K

Space requirements

- 76" of workspace
- (A) = amount of linear desk space needed from mount to mount (44.02" with heavy-duty clamps and 47.27" with Antenna center beam side mount)

Kits include

- Two 32" masts
- Six movement joint slides
- Two 76" beams
- Four beam mast cable management clips
- Twenty beam cable management clips
- Two mounts (either Antenna center beam side mounts or heavy-duty table clamp mounts)



Actual dimensions of monitors can vary and depending on monitor choice, some may extend beyond either side of the beam assembly. Maximum weight for each monitor is 20 pounds. Actual monitor size used in drawings: 19.4"H by 27.6"W.

Six 32" Monitors in Landscape

Suggested beam kits

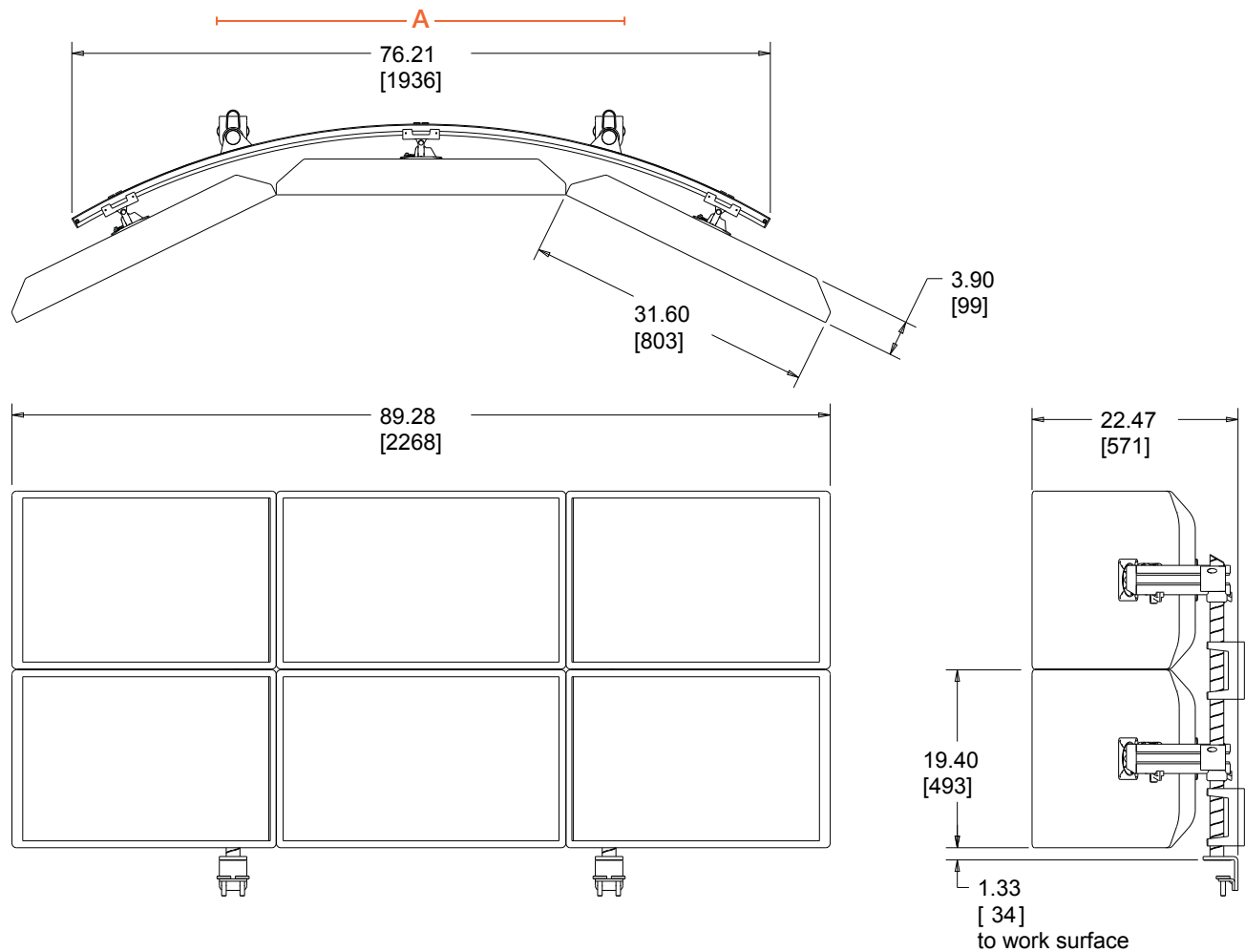
SAP B 32 L 6 ANT SIDE K
 SAP B 32 L 6 CLMP HD K

Space requirements

- 76" of workspace
- (A) = amount of linear desk space needed from mount to mount (44.02" with heavy-duty clamps and 47.27" with Antenna center beam side mount)

Kits include

- Two 32" masts
- Six movement joint slides
- Two 76" beams
- Four beam mast cable management clips
- Twenty beam cable management clips
- Two mounts (either Antenna center beam side mounts or heavy-duty table clamp mounts)



Actual dimensions of monitors can vary and depending on monitor choice, some may extend beyond either side of the beam assembly. Maximum weight for each monitor is 20 pounds. Actual monitor size used in drawings: 19.4"H by 31.6"W.

Six 19" Monitors in Portrait

Suggested beam kits

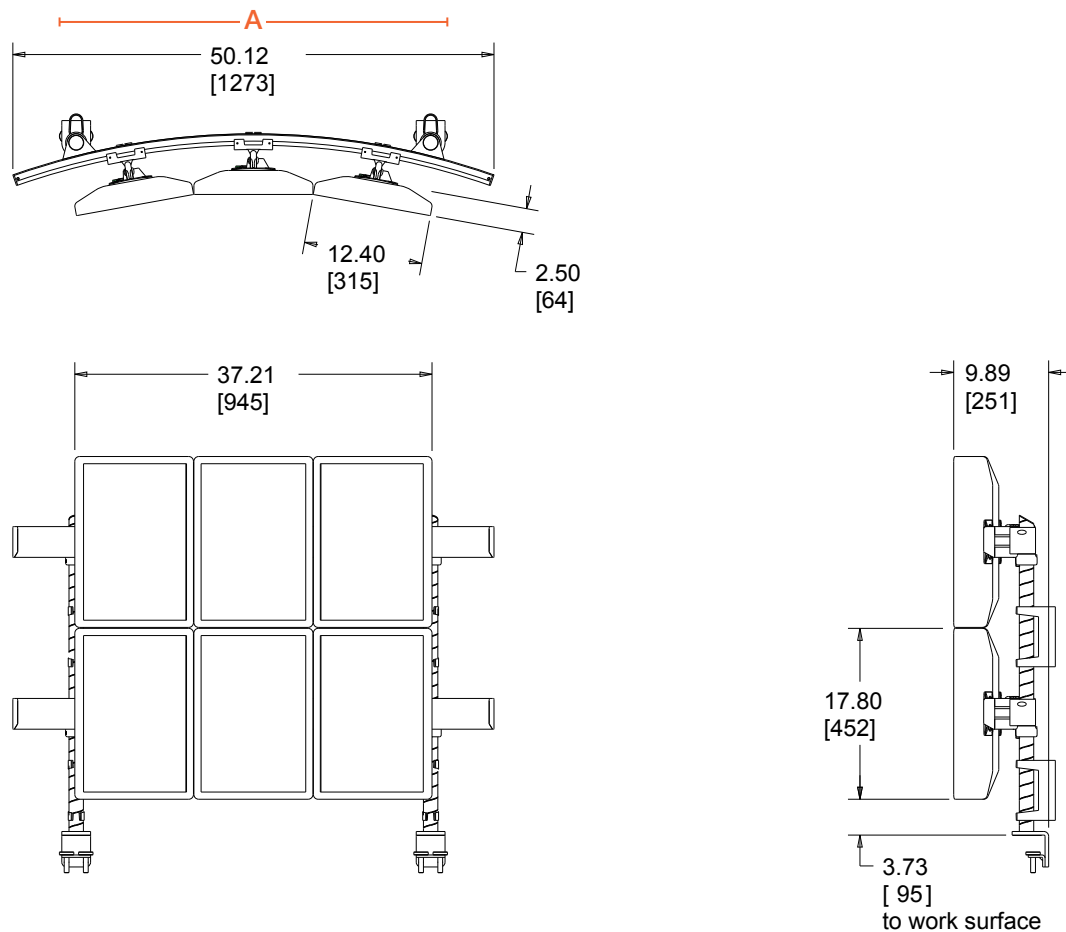
SAP B 32 S 6 ANT SIDE K
SAP B 32 S 6 CLMP HD K

Space requirements

- 50" of workspace
- (A) = amount of linear desk space needed from mount to mount (39.92" with heavy-duty clamps and 43.5" with Antenna center beam side mount)

Kits include

- Two 32" masts
- Six movement joint slides
- Two 50" beams
- Four beam mast cable management clips
- Twelve beam cable management clips
- Two mounts (either Antenna center beam side mounts or heavy-duty table clamp mounts)



Actual dimensions of monitors can vary and depending on monitor choice, some may extend beyond either side of the beam assembly. Maximum weight for each monitor is 20 pounds. Actual monitor size used in drawings: 17.8"H by 12.4"W.

Six 20" Monitors in Portrait

Suggested beam kits

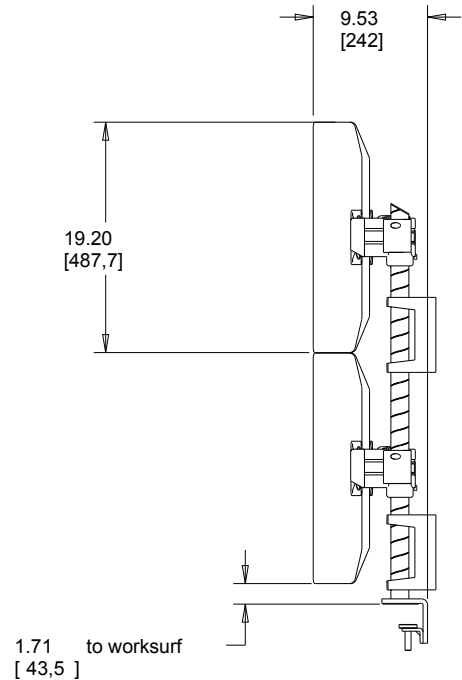
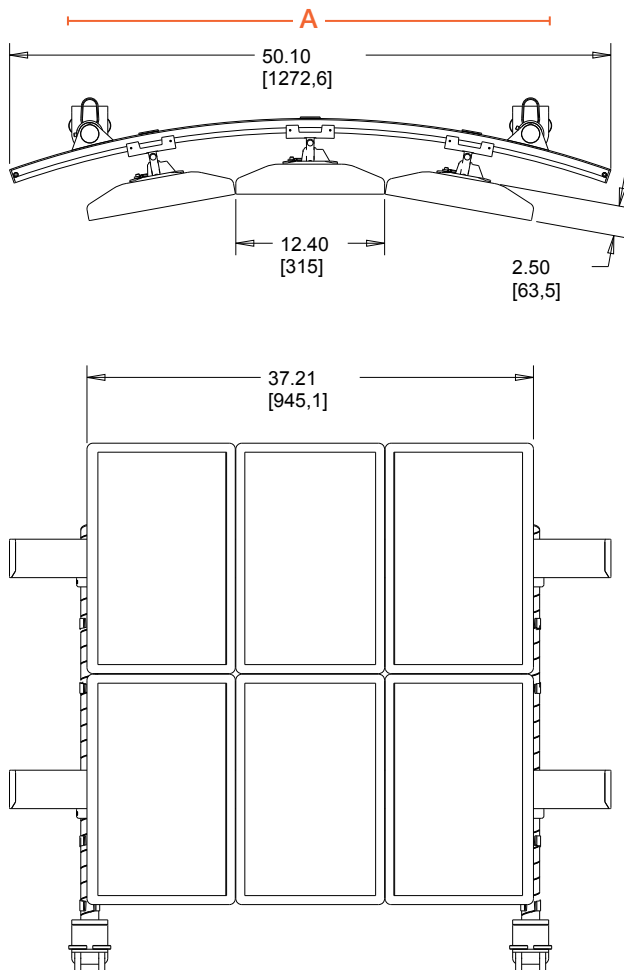
SAP B 32 S 6 ANT SIDE K
 SAP B 32 S 6 CLMP HD K

Space requirements

- 50" of workspace
- (A) = amount of linear desk space needed from mount to mount (39.92" with heavy-duty clamps and 43.5" with Antenna center beam side mount)

Kits include

- Two 32" masts
- Six movement joint slides
- Two 50" beams
- Four beam mast cable management clips
- Twelve beam cable management clips
- Two mounts (either Antenna center beam side mounts or heavy-duty table clamp mounts)



Actual dimensions of monitors can vary and depending on monitor choice, some may extend beyond either side of the beam assembly. Maximum weight for each monitor is 20 pounds. Actual monitor size used in drawings: 19.2"H by 12.4"W.

Six 22" Monitors in Portrait

Suggested beam kits

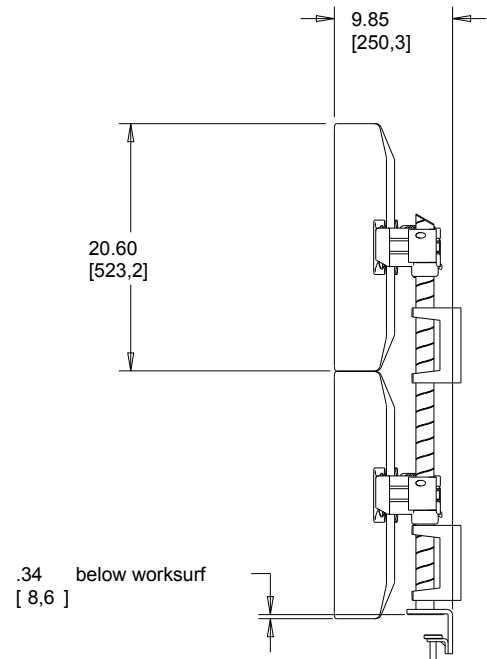
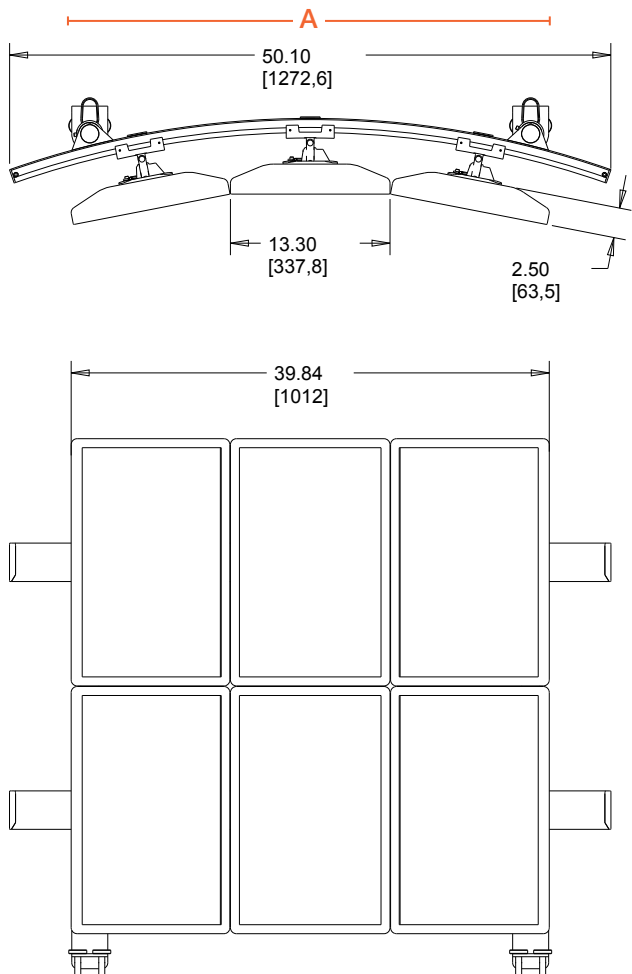
SAP B 32 S 6 ANT SIDE K
 SAP B 32 S 6 CLMP HD K

Space requirements

- 50" of workspace
- (A) = amount of linear desk space needed from mount to mount (39.92" with heavy-duty clamps and 43.5" with Antenna center beam side mount)

Kits include

- Two 32" masts
- Six movement joint slides
- Two 50" beams
- Four beam mast cable management clips
- Twelve beam cable management clips
- Two mounts (either Antenna center beam side mounts or heavy-duty table clamp mounts)



Actual dimensions of monitors can vary and depending on monitor choice, some may extend beyond either side of the beam assembly. Maximum weight for each monitor is 20 pounds. Actual monitor size used in drawings: 20.6"H by 13.3"W.

Eight 19" Monitors in Landscape

Suggested beam kits

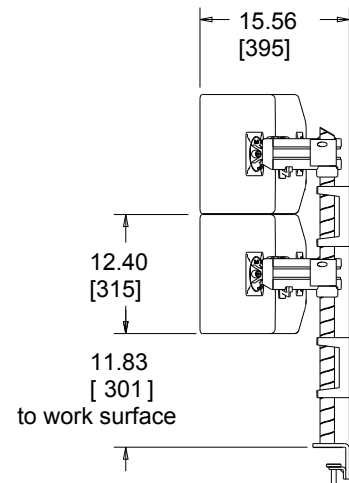
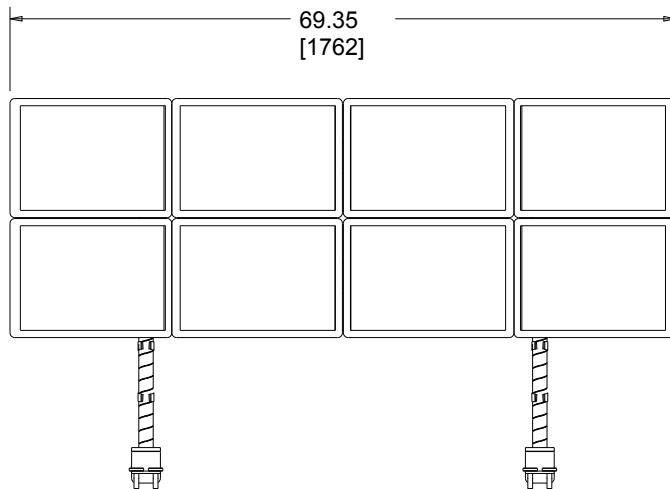
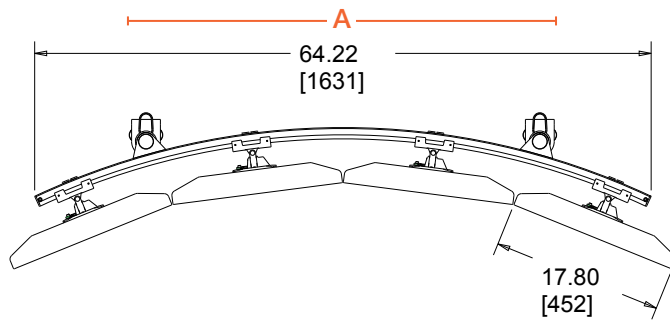
SAP B 32 M 8 ANT SIDE K
SAP B 32 M 8 CLMP HD K

Space requirements

- 64" of workspace
- (A) = amount of linear desk space needed from mount to mount (44.02" with heavy-duty clamps and 47.27" with Antenna center beam side mount)

Kits include

- Two 32" masts
- Eight movement joint slides
- Two 64" beams
- Four beam mast cable management clips
- Sixteen beam cable management clips
- Two mounts (either Antenna center beam side mounts or heavy-duty table clamp mounts)



Actual dimensions of monitors can vary and depending on monitor choice, some may extend beyond either side of the beam assembly. Maximum weight for each monitor is 20 pounds. Actual monitor size used in drawings: 12.4"H by 17.8"W.

Eight 20" Monitors in Landscape

Suggested beam kits

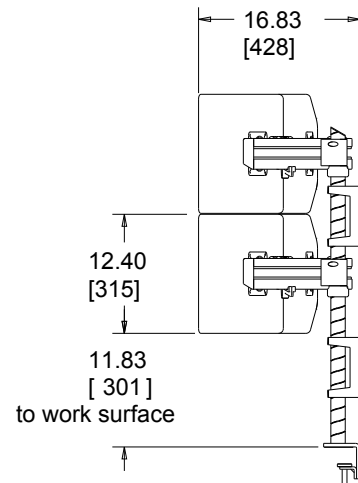
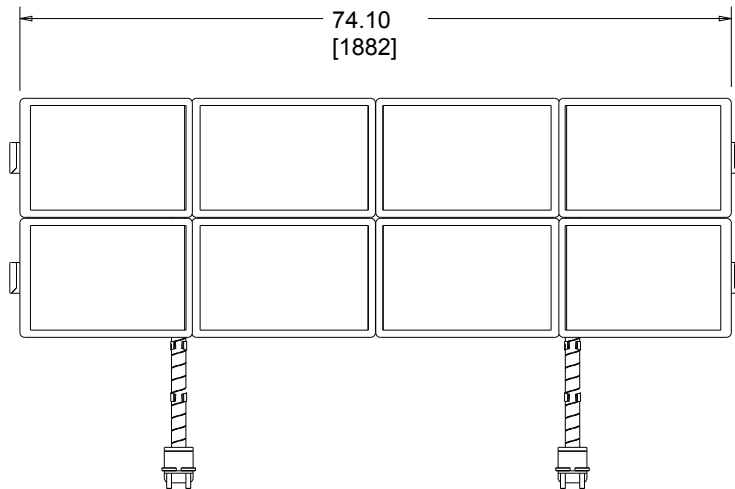
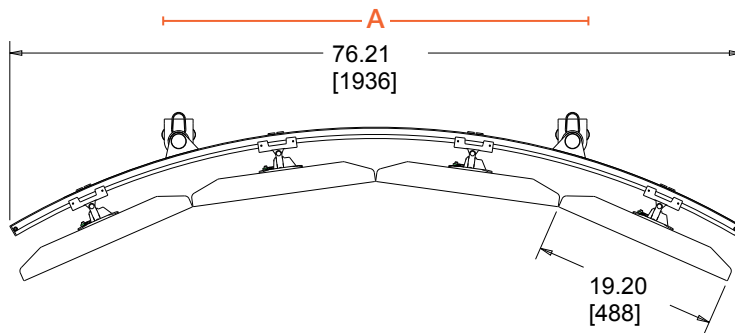
SAP B 32 L 8 ANT SIDE K
 SAP B 32 L 8 CLMP HD K

Space requirements

- 76" of workspace
- (A) = amount of linear desk space needed from mount to mount (44.02" with heavy-duty clamps and 47.27" with Antenna center beam side mount)

Kits include

- Two 32" masts
- Eight movement joint slides
- Two 76" beams
- Four beam mast cable management clips
- Twenty beam cable management clips
- Two mounts (either Antenna center beam side mounts or heavy-duty table clamp mounts)



Actual dimensions of monitors can vary and depending on monitor choice, some may extend beyond either side of the beam assembly. Maximum weight for each monitor is 20 pounds. Actual monitor size used in drawings: 12.4"H by 19.2"W.

Eight 22" Monitors in Landscape

Suggested beam kits

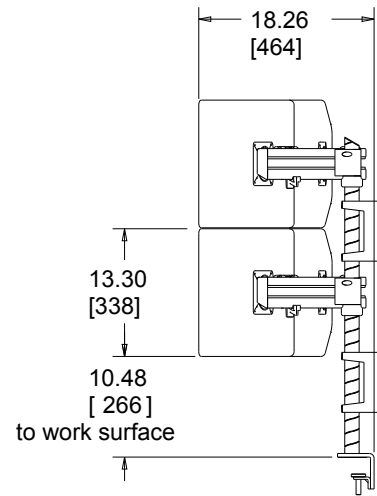
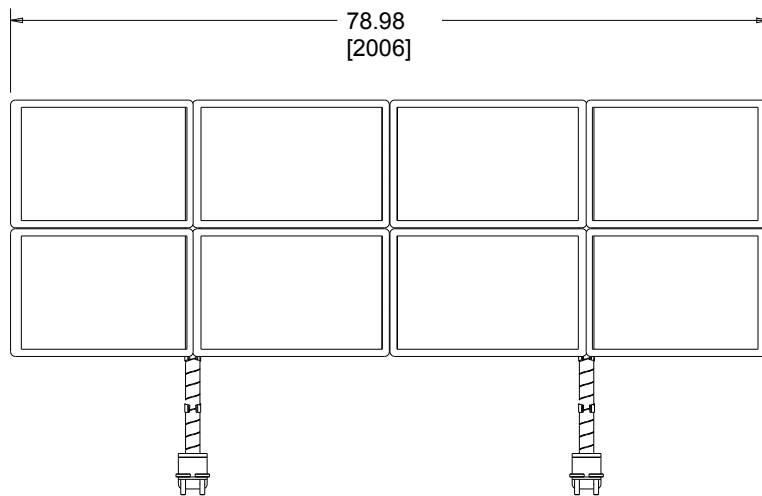
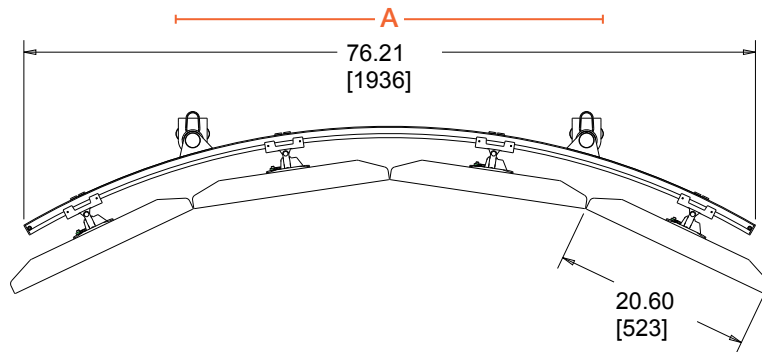
SAP B 32 L 8 ANT SIDE K
 SAP B 32 L 8 CLMP HD K

Space requirements

- 76" of workspace
- (A) = amount of linear desk space needed from mount to mount (44.02" with heavy-duty clamps and 47.27" with Antenna center beam side mount)

Kits include

- Two 32" masts
- Eight movement joint slides
- Two 76" beams
- Four beam mast cable management clips
- Twenty beam cable management clips
- Two mounts (either Antenna center beam side mounts or heavy-duty table clamp mounts)



Actual dimensions of monitors can vary and depending on monitor choice, some may extend beyond either side of the beam assembly. Maximum weight for each monitor is 20 pounds. Actual monitor size used in drawings: 13.3"H by 20.6"W.

Eight 24" Monitors in Landscape

Suggested beam kits

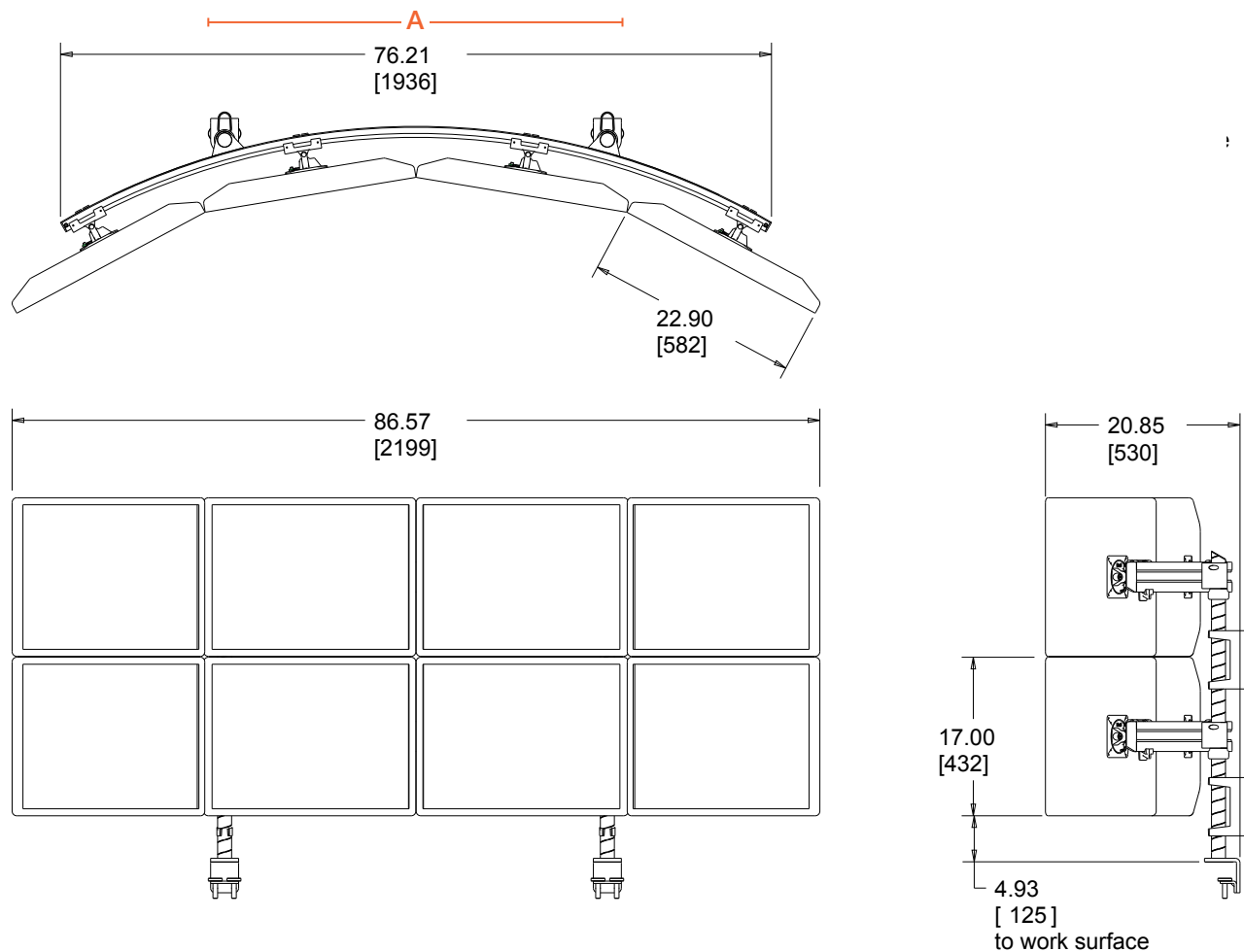
SAP B 32 L 8 ANT SIDE K
 SAP B 32 L 8 CLMP HD K

Space requirements

- 76" of workspace
- (A) = amount of linear desk space needed from mount to mount (44.02" with heavy-duty clamps and 47.27" with Antenna center beam side mount)

Kits include

- Two 32" masts
- Eight movement joint slides
- Two 76" beams
- Four beam mast cable management clips
- Twenty beam cable management clips
- Two mounts (either Antenna center beam side mounts or heavy-duty table clamp mounts)



Actual dimensions of monitors can vary and depending on monitor choice, some may extend beyond either side of the beam assembly. Maximum weight for each monitor is 20 pounds. Actual monitor size used in drawings: 17"H by 22.9"W.

Eight 19" Monitors in Portrait

Suggested beam kits

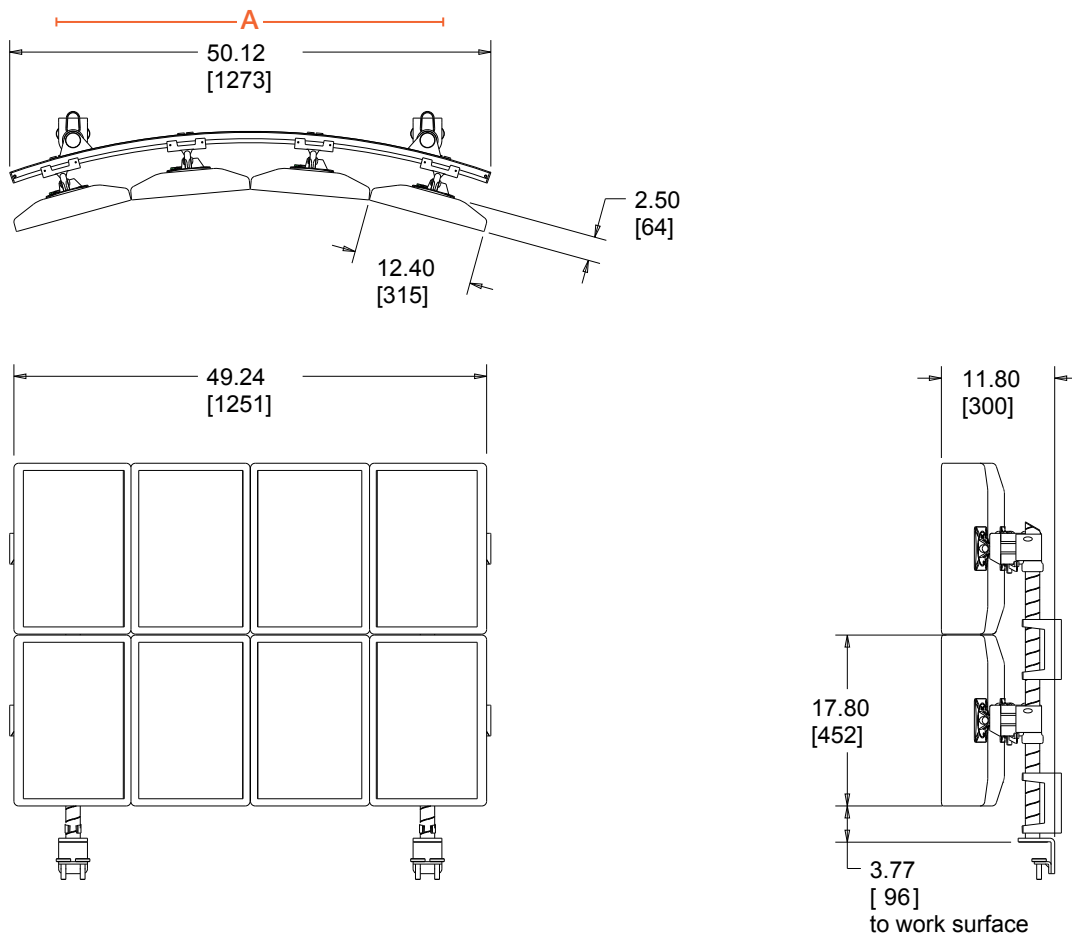
SAP B 32 S 8 ANT SIDE K
SAP B 32 S 8 CLMP HD K

Space requirements

- 50" of workspace
- (A) = amount of linear desk space needed from mount to mount (39.92" with heavy-duty clamps and 43.5" with Antenna center beam side mount)

Kits include

- Two 32" masts
- Eight movement joint slides
- Two 50" beams
- Four beam mast cable management clips
- Twelve beam cable management clips
- Two mounts (either Antenna center beam side mounts or heavy-duty table clamp mounts)



Actual dimensions of monitors can vary and depending on monitor choice, some may extend beyond either side of the beam assembly. Maximum weight for each monitor is 20 pounds. Actual monitor size used in drawings: 17.8"H by 12.4"W.

Eight 20" Monitors in Portrait

Suggested beam kits

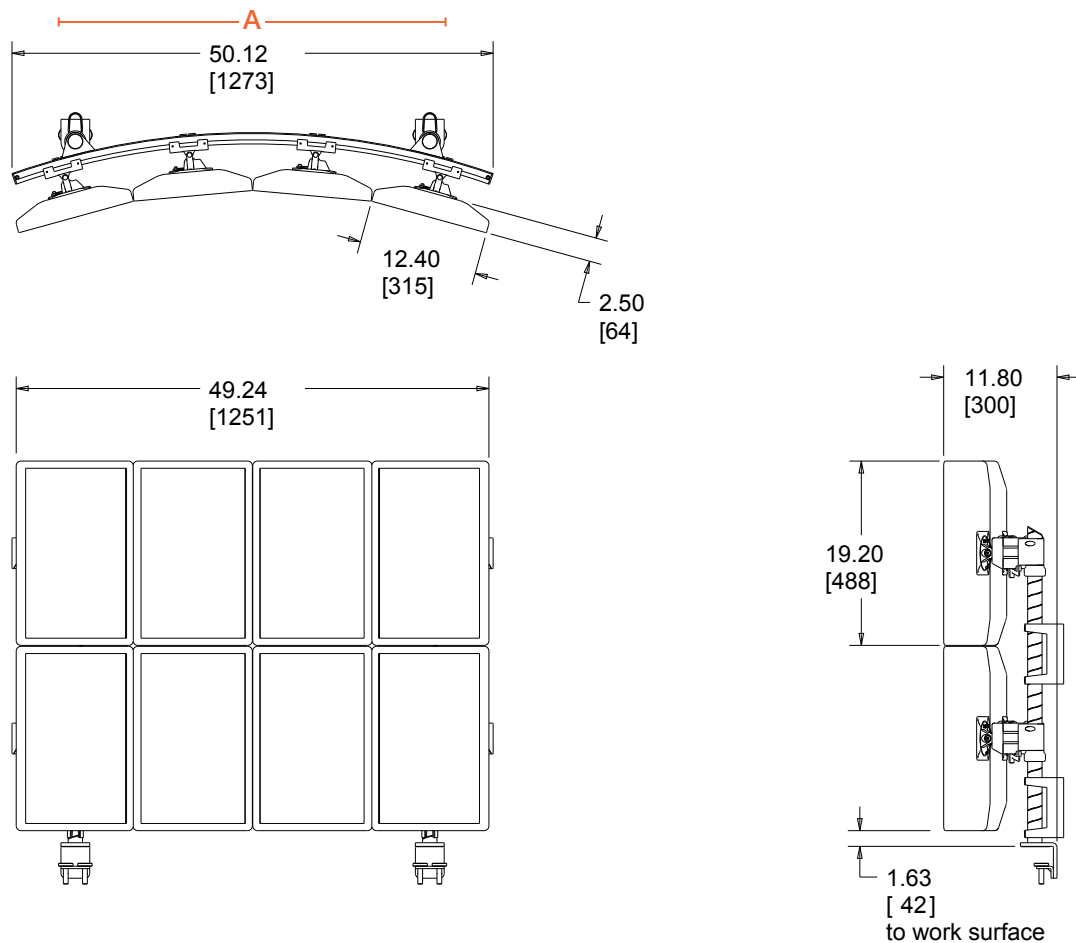
SAP B 32 S 8 ANT SIDE K
 SAP B 32 S 8 CLMP HD K

Space requirements

- 50" of workspace
- (A) = amount of linear desk space needed from mount to mount (39.92" with heavy-duty clamps and 43.5" with Antenna center beam side mount)

Kits include

- Two 32" masts
- Eight movement joint slides
- Two 50" beams
- Four beam mast cable management clips
- Twelve beam cable management clips
- Two mounts (either Antenna center beam side mounts or heavy-duty table clamp mounts)



Actual dimensions of monitors can vary and depending on monitor choice, some may extend beyond either side of the beam assembly. Maximum weight for each monitor is 20 pounds. Actual monitor size used in drawings: 19.2"H by 12.4"W.