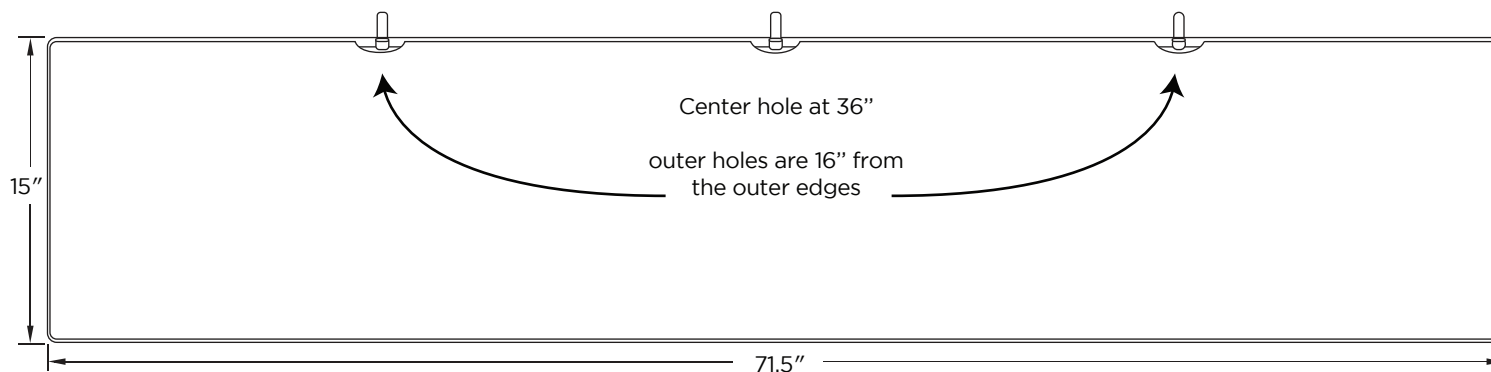
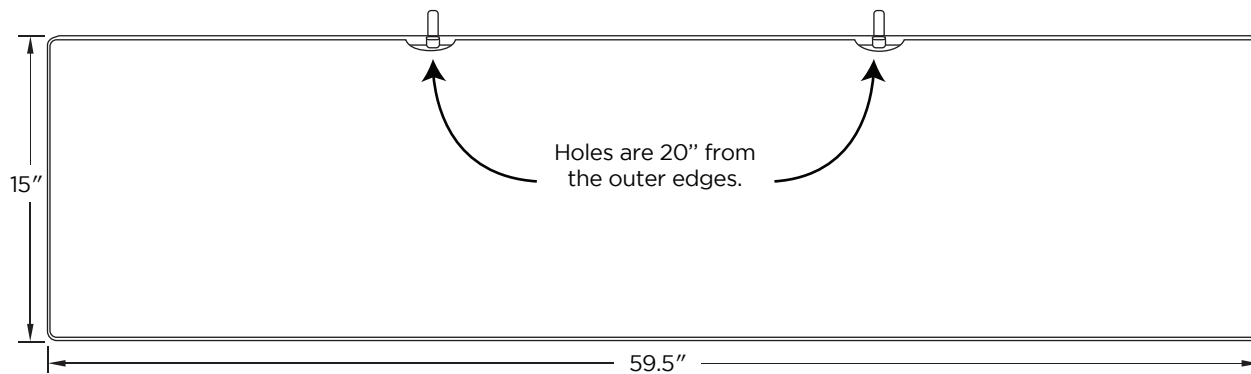
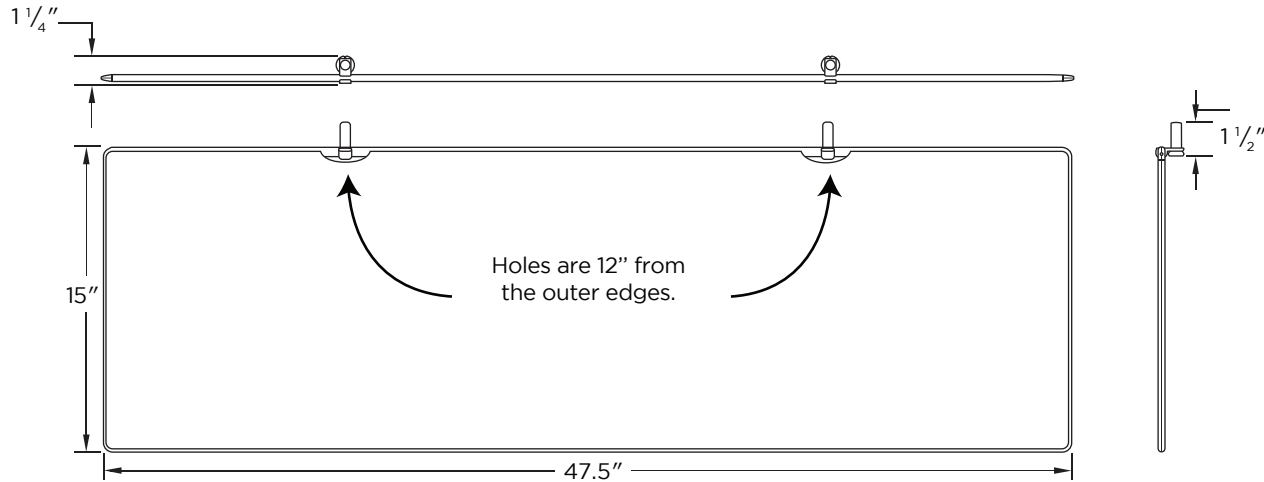


UPLIFT DESK

UPL027 Modesty Panel Dimensions



The UPLIFT Modesty Panels come in three widths 47.5, 59.5 and 71.5 inches; and are all 15 inches high.

1. Place a plastic mounting clip in the center of each exposed portion of the steel bar on the modesty panel. Make sure the wire management flap on the panel is facing up.

2. Center the mesh modesty panel on the worksurface about 1" in from the back edge*. Make sure the wire management flap on the panel is facing up.

***NOTE:** If you are clamping anything to the back edge of the desk, position the modesty panel farther away from the edge to leave room.

3. Depending on the material of the surface you are attaching the modesty panel to, you may need to pre-drill the hole for the fastener. Use wood screws to attach plastic mounting clips to worksurface.