

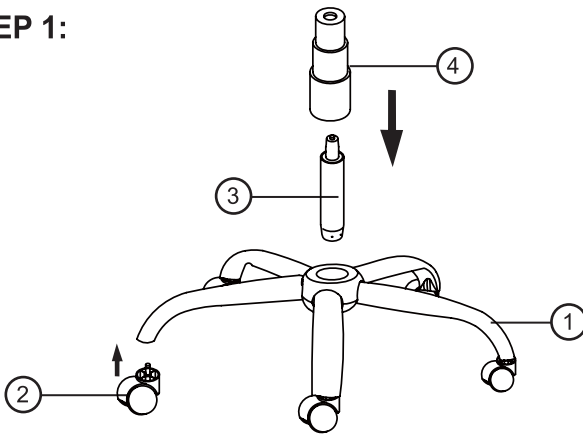
ASSEMBLY INSTRUCTIONS

Remove all items from the carton. Verify all pieces before assembly

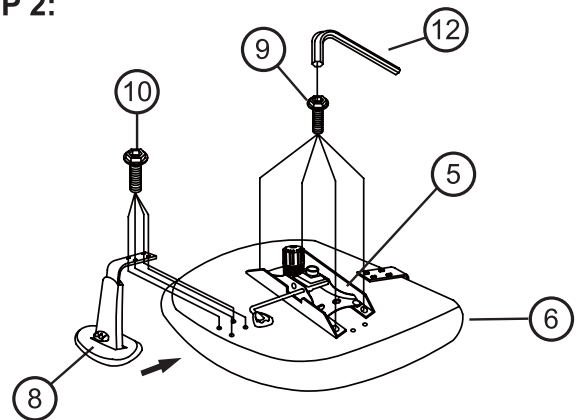
PARTS LIST

KEY	QTY	DESCRIPTION	KEY	QTY	DESCRIPTION	KEY	QTY	DESCRIPTION
1	1	5-Star Base	⑨	4	Mechanism Screws (5/16"x1")	⑪	4	Bracket Screws (3/8"x1-1/2)
2	5	Caster						
3	1	Gas Lift						
4	1	Gas Lift Cover						
5	1	Mechanism						
6	1	Seat Cushion	⑩	8	Armrest Screws (5/16"x1-1/2")	NOTICE: FOR EASY ASSEMBLY, FIRST ATTACH ALL SCREWS BY HAND; THEN USE THE ALLEN WRENCH TO TIGHTEN ALL SCREWS.		
7	1	Back Cushion						
8	2	Armrest						
12	1	Allen Wrench						

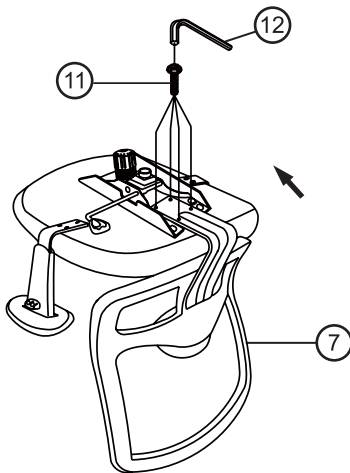
STEP 1:



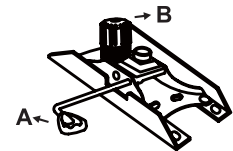
STEP 2:



STEP 3:



STEP 4:



MECHANISM OPERATION INSTRUCTION WHILE SEATED:

- (A) SEAT HEIGHT ADJUSTMENT: Pull lever up. Release lever when desired position is reached.
- (A) BACK TILT ADJUSTMENT: Pull lever outward to allow backward tilt; Push lever inward to lock back in vertical position.
- (B) TILT TENSION ADJUSTMENT KNOB: Rotate knob clockwise/counterclockwise to adjust tilt tension based on body weight.

PREVENTIVE MAINTENANCE AND WARNING!

- USE THIS PRODUCT ONLY FOR SEATING ONE PERSON AT A TIME.
- DO NOT USE THIS CHAIR AS A STEP STOOL/LADDER.
- DO NOT SIT ON ANY PART OF THE CHAIR EXCEPT THE SEAT.
- DO NOT USE CHAIR ON UNEVEN FLOOR SURFACES.
- DO NOT USE CHAIR UNLESS ALL BOLTS, SCREWS AND KNOBS ARE TIGHT.
- AT LEAST EVERY SIX MONTHS, CHECK ALL BOLTS, SCREWS AND KNOBS TO BE SURE THEY ARE TIGHT.
- IF ANY PARTS ARE MISSING, BROKEN, DAMAGED OR WORN, STOP USE OF THE PRODUCT UNTIL REPAIRS ARE MADE USING FACTORY AUTHORIZED PARTS.
- DISPOSE OF PACKAGING PROPERLY, PLASTIC BAG IS NOT A TOY. DO NOT USE PLASTIC BAG AS HEAD COVERING. IT MAY CAUSE SUFFOCATION.
- FAILURE TO FOLLOW THESE WARNINGS COULD RESULT IN SERIOUS INJURY.