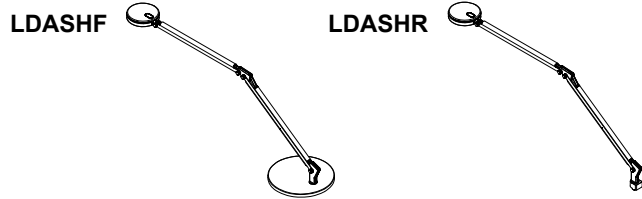


# dash™ LED Light

Installation Instructions 19590601 Rev B

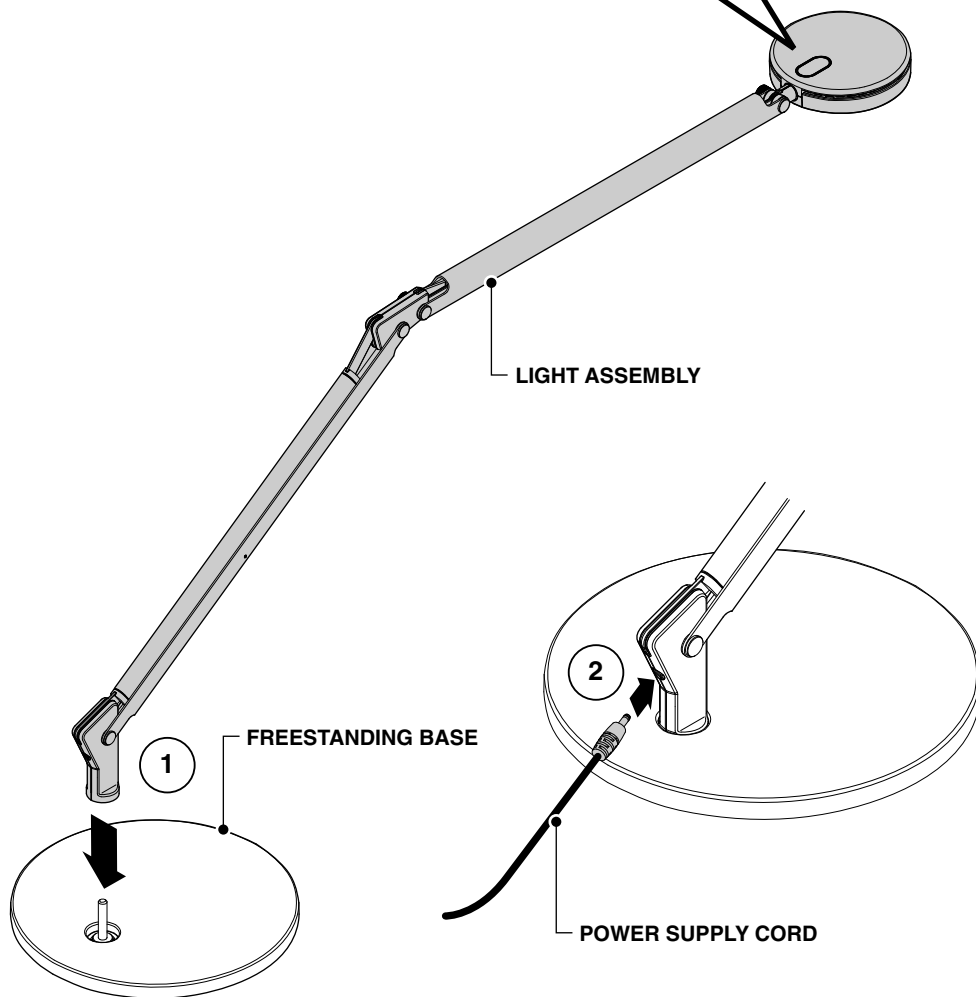


## Freestanding Mount

1. Slide light assembly onto post of freestanding base.
2. Plug power supply cord into back of light assembly.

**Operating sequence for light switch**

- TAP switch - Light is on.
- TAP switch again - Light is off.
- HOLD switch - Light is dimmed to off.



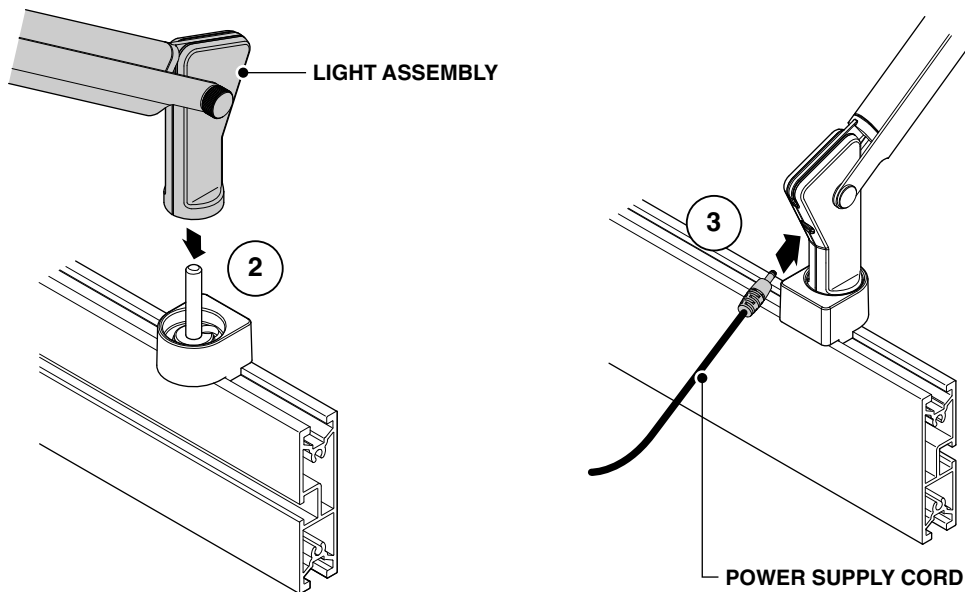
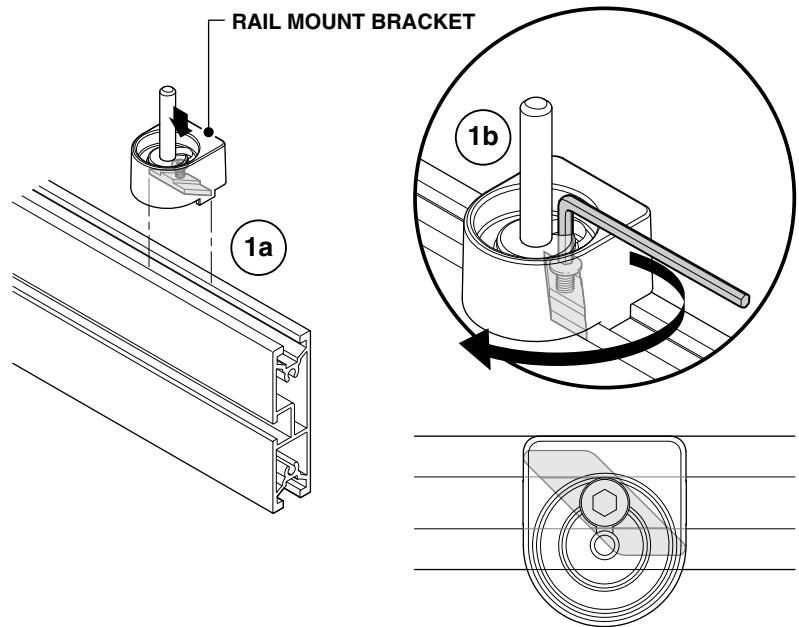
19590601 Rev B

## Rail Mount

**1.** Place dash rail mount bracket onto a SOTO or c:scape rail as shown (1a). Rotate t-nut as shown to engage t-nut into rail and tighten screw (1b) with 1/8" allen wrench.

**2.** Slide light assembly onto post of rail mount base.

**3.** Plug power supply cord into back of light assembly.



available at:



800.531.3746

info@thehumansolution.com

thehumansolution.com