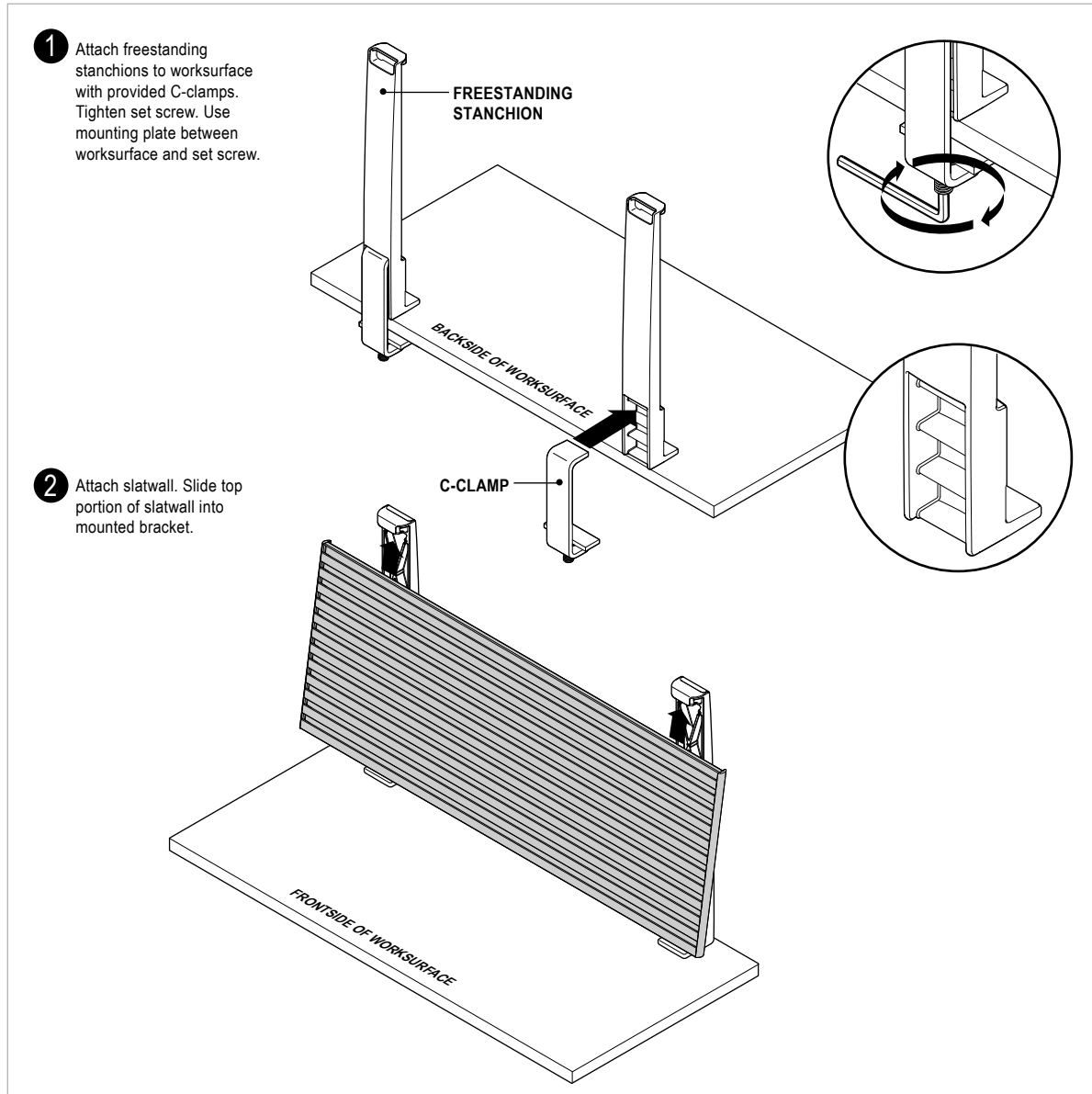


# Slatwall Stanchion Assembly

## Installation Instructions

WFCS

005549D Rev B Page 1 of 2



For a better day at work.™

# details®

A STEELCASE COMPANY

available at:

 **humansolution®**

800.531.3746

info@thehumansolution.com  
thehumansolution.com

details®

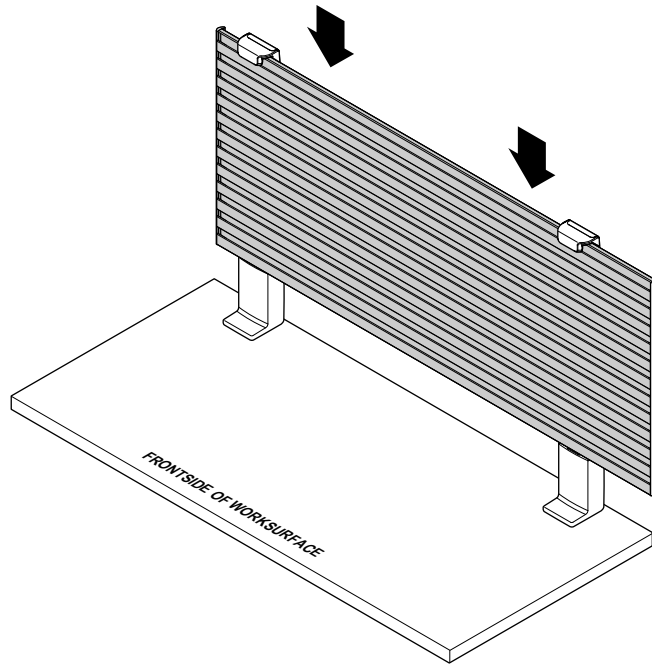
# Slatwall Stanchion Assembly

## Installation Instructions

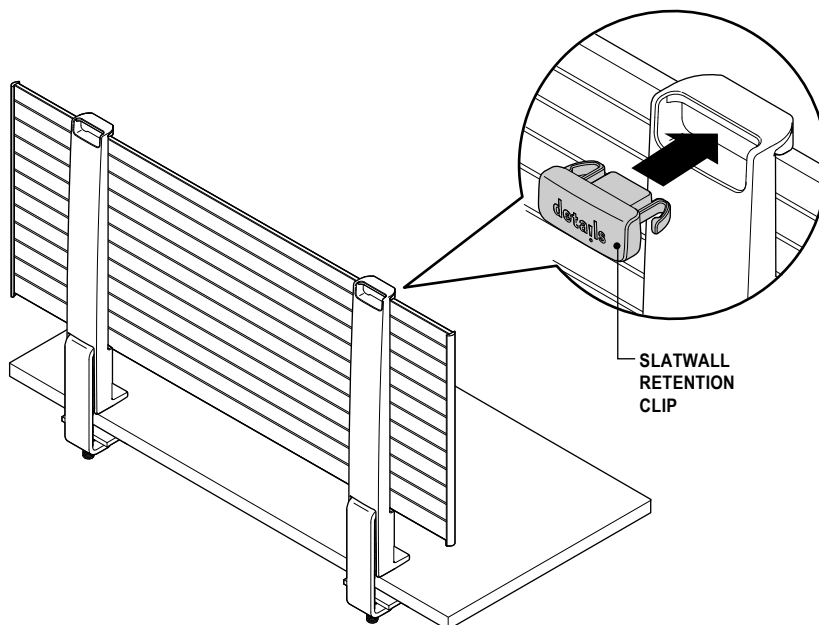
WFCS

005549D Rev B Page 2 of 2

- 3** Drop bottom portion of slatwall into bracket.



- 4** Insert slatwall retention clip into top of each stanchion to prevent accidental dislodgement.



**SIDE VIEW**



**NOTE:** For proper installation, slatwall hooks should be upward.