

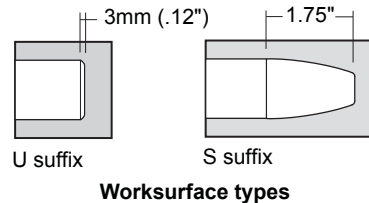
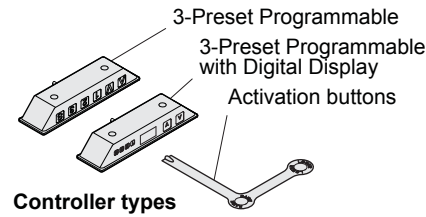
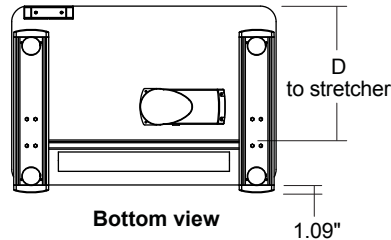
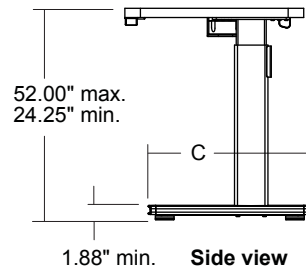
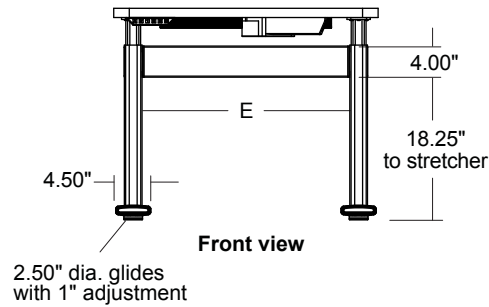
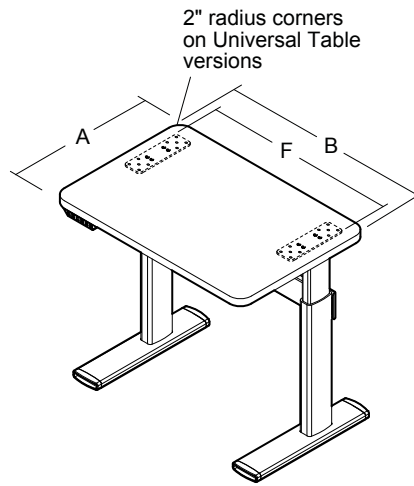
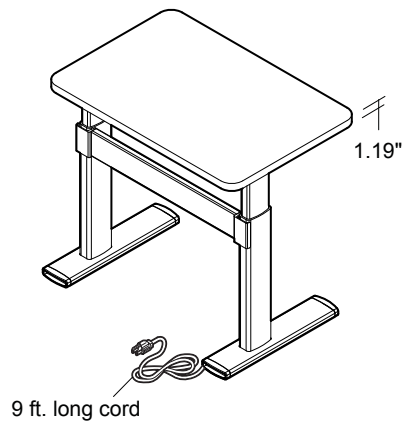
# Series 7 AdjusTables

## Tables

### Dimensioned Line Drawings

#### Rectangular Tables

Style No.	Dim. A	Dim. B	Dim. C	Dim. D	Dim. E	Dim. F
A7RQ462323	23.00"	46.00"	21.00"	17.31"	33.75"	40.00"
A7RQ582323	23.00"	58.00"	21.00"	17.31"	33.75"	40.00"
A7RQ462929	29.00"	46.00"	28.00"	20.31"	33.75"	40.00"
A7RQ582929	29.00"	58.00"	28.00"	20.31"	33.75"	40.00"



Note: Add the following suffixes to specify work surface type:  
 "U" for Universal Table  
 "S" for Urethane Profile



features



construction



materials



print this page