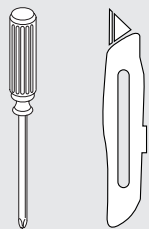




campfire™ big lamp

Assembly Instructions

tools needed



assembly video



myturnstone.com/campfire/instructions

time needed



assemble time:
20 minutes

difficulty scale



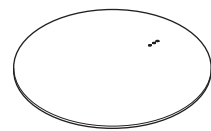
really
easy

a little
more difficult

Here's what's in the box

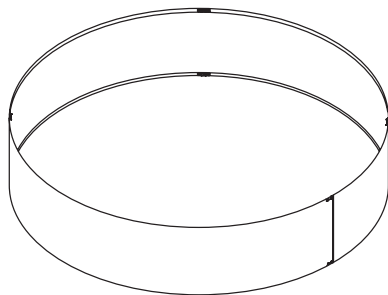
BOX # For assembly videos go to myturnstone.com/campfire/instructions

BOX #1

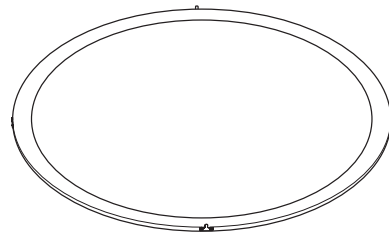


Base (1)

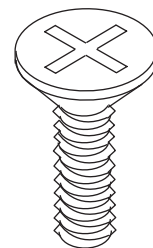
BOX #2



Shade (1)



Diffuser (1)



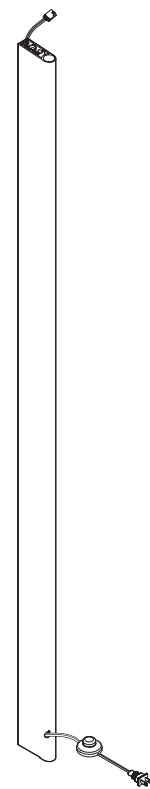
X screw (4)
Size: 5/16-18
(shown at actual size)



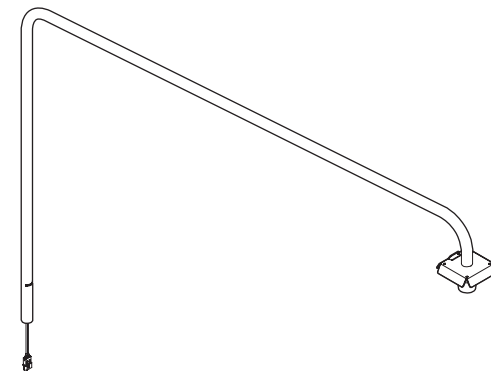
Y screw (1)
Size: #6 cover
(shown at actual size)



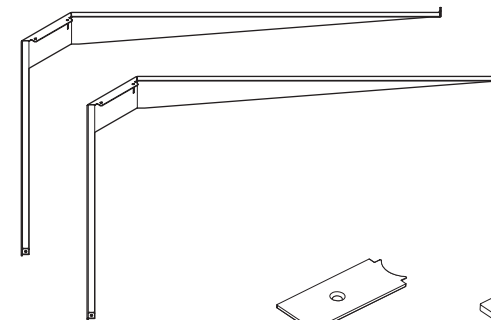
Z screw (8)
Size: #10-24 x 1/2"
(shown at actual size)



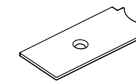
Post (1)



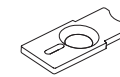
Upper Boom (1)



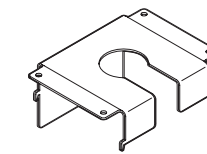
Cantilever (2)



Cover (1)



Lock plate (1)

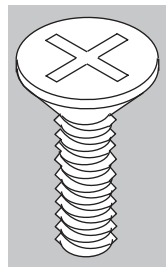


Hub (1)

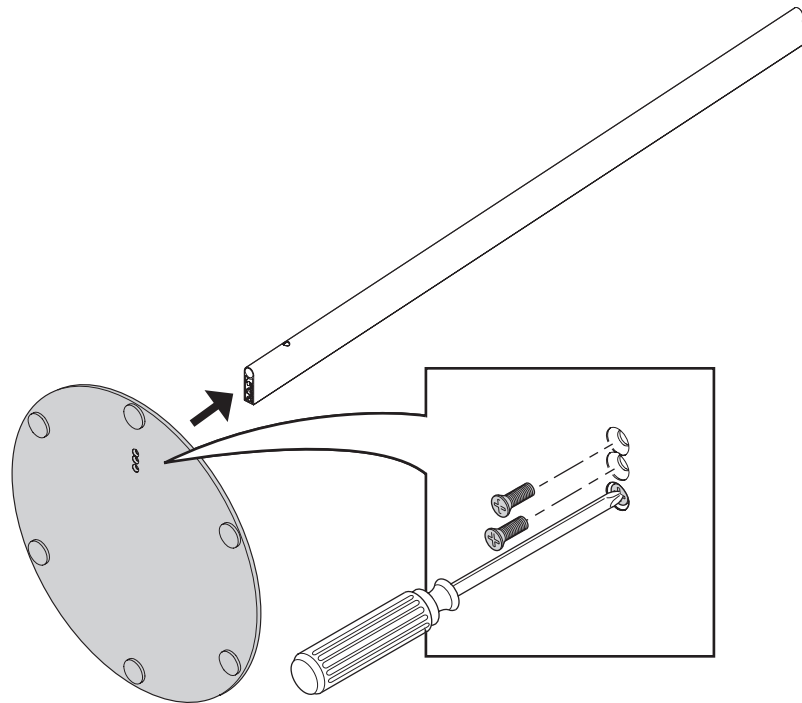
STEP

1

Attach base to post.



Use X screw
Size: 5/16-18"
(shown at actual size)



- First, find the base. It's the circular thing that looks like a metal pizza.
- Attach the base to the post using three X screws. Tighten using a #2 phillips screwdriver. Don't worry, this is the only tool you'll need.

1 2 3 4 5 6 7 8 9 10 11 12 13 14 15

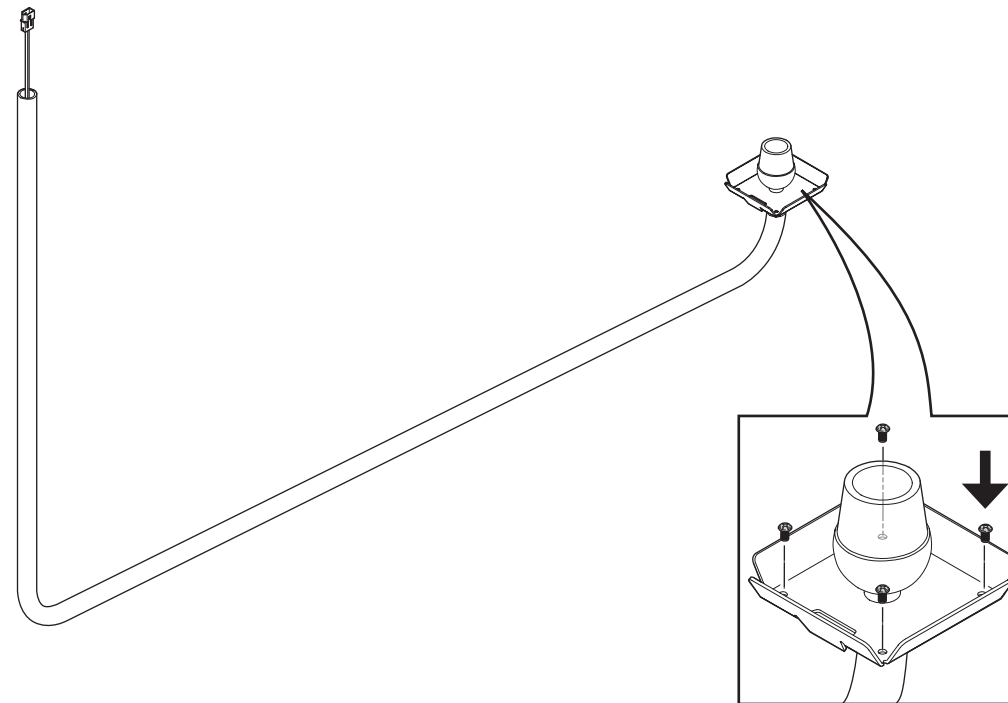
STEP

2

Start screws in boom plate.



Use Z screw
Size: #10-24 x 1/2"
(shown at actual size)



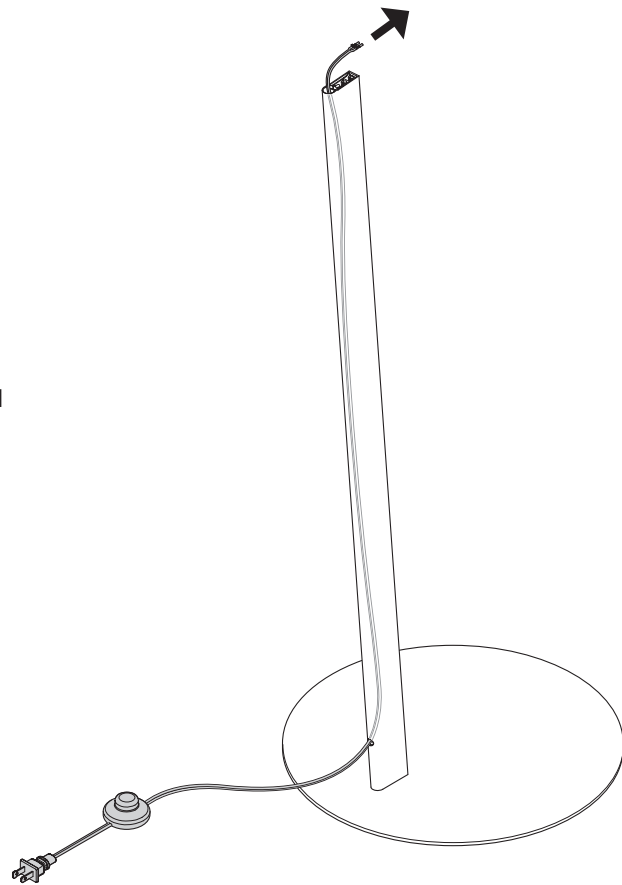
- Start four Z screws into the boom plate. By starting them, we mean don't screw them in all the way.

1 2 3 4 5 6 7 8 9 10 11 12 13 14 15

STEP 3

Pull cord through top post.

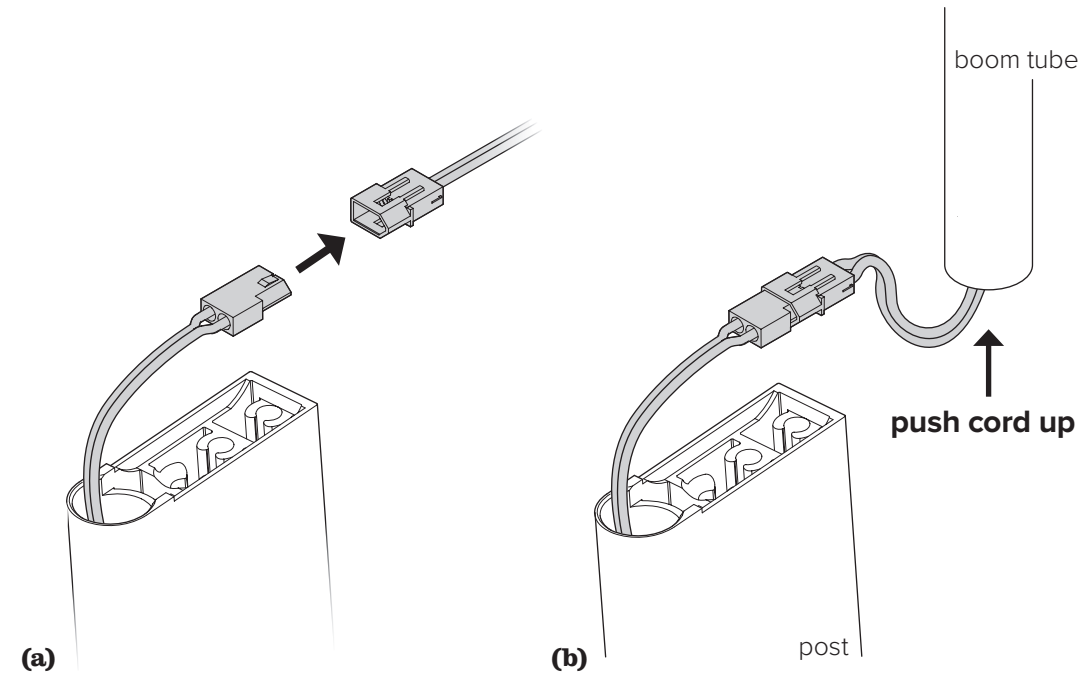
- Remove tape from the connector cord at the top of the post opening.
- Pull out slightly so connector comes out of the top as shown.



1 2 3 4 5 6 7 8 9 10 11 12 13 14 15

STEP 4

Connect connectors.



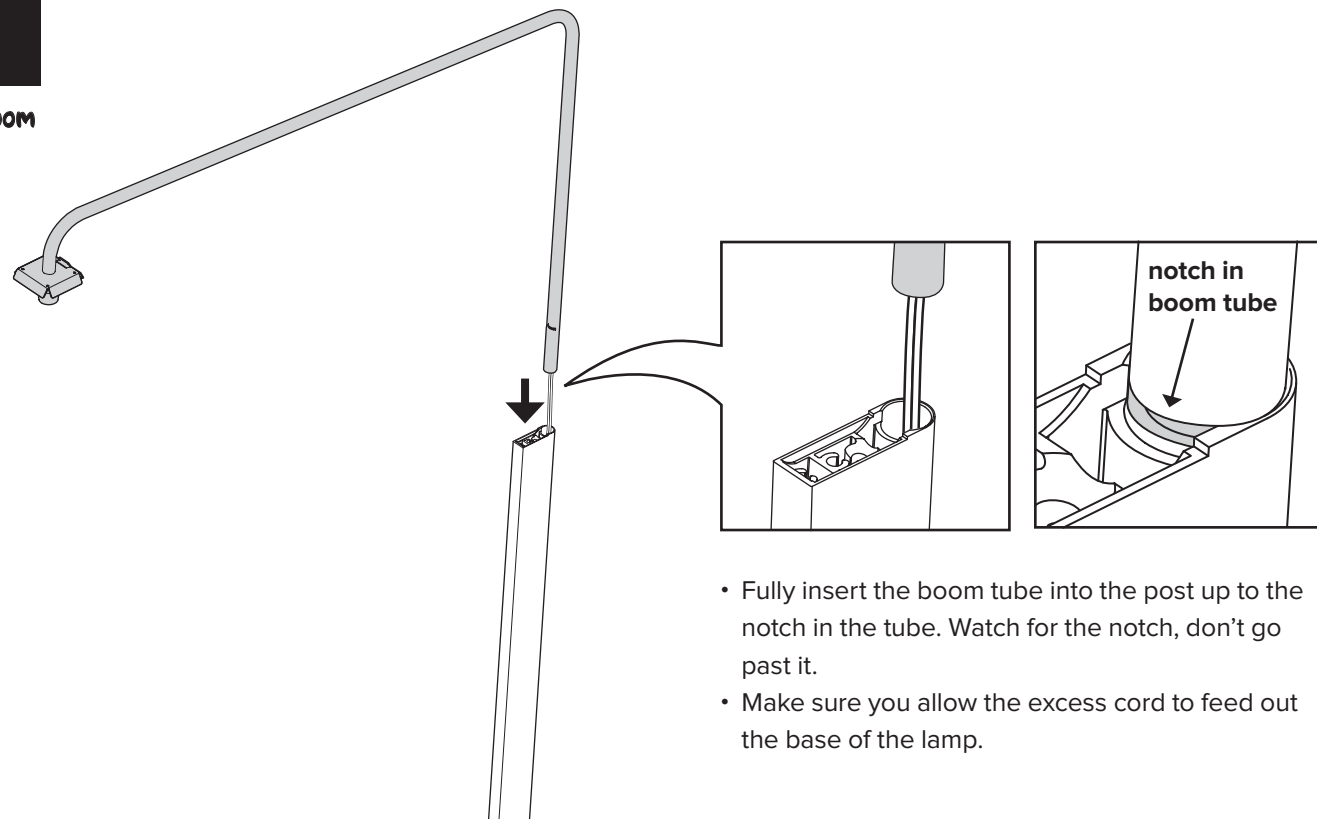
- Grab the boom and locate the connector cord.
- Connect the electrical connectors together. **(a)**
- Push the connectors inside the boom tube. **(b)**

1 2 3 4 5 6 7 8 9 10 11 12 13 14 15

STEP

5

Insert boom tube and notch.



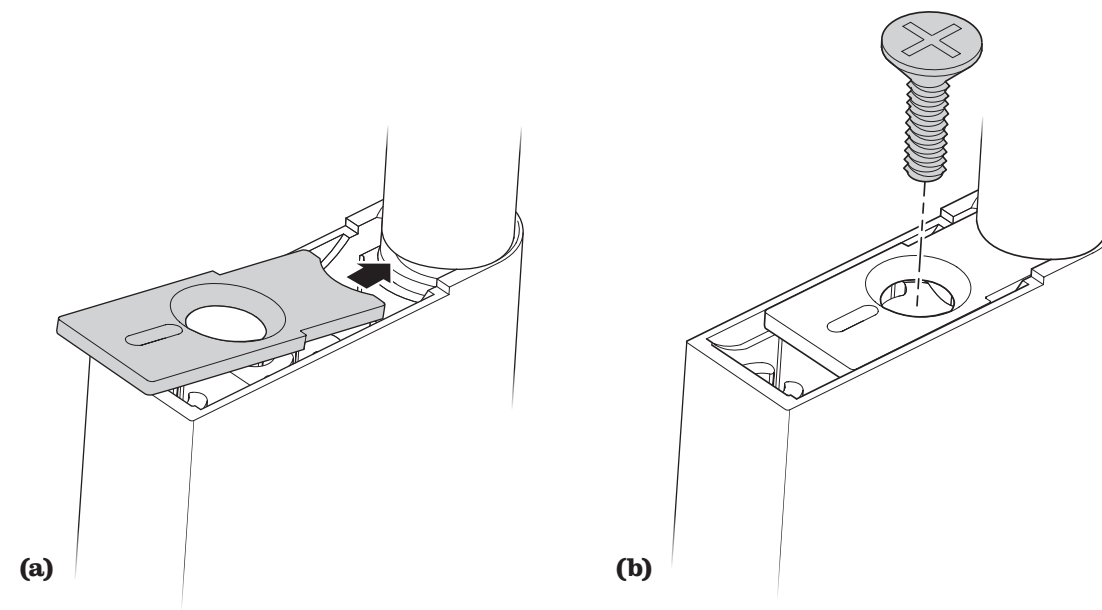
- Fully insert the boom tube into the post up to the notch in the tube. Watch for the notch, don't go past it.
- Make sure you allow the excess cord to feed out the base of the lamp.

1 2 3 4 **5** 6 7 8 9 10 11 12 13 14 15

STEP

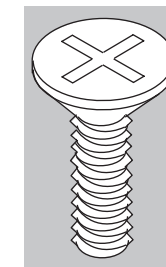
6

Install lock plate.



- Place the lock plate into the notch. **(a)**
- Insert and tighten the X screw. Do not over tighten. **(b)**

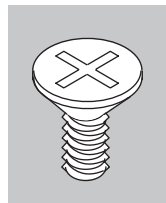
1 2 3 4 5 **6** 7 8 9 10 11 12 13 14 15



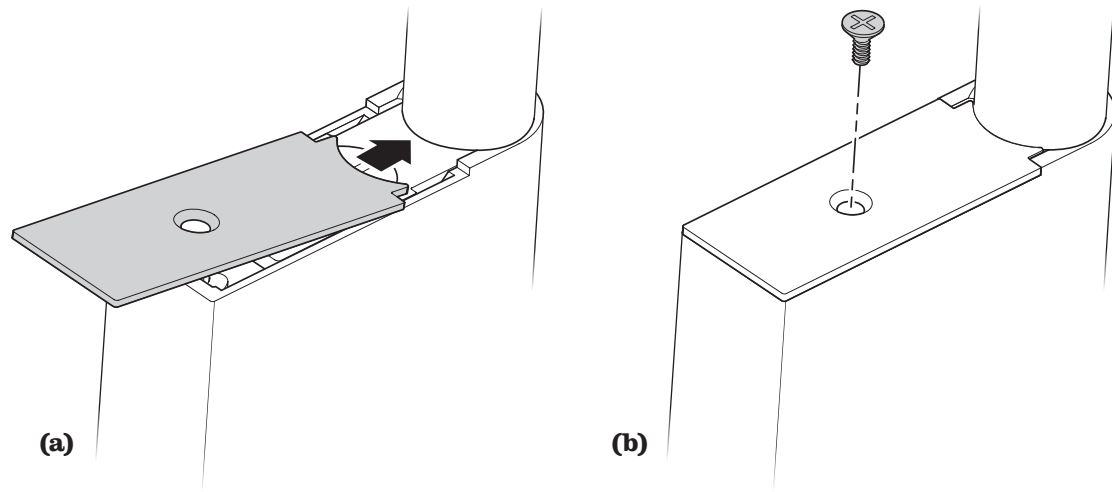
Use X screw.
Size: 5/16-18"
(shown at actual size)

STEP 7

Install cover plate.



Use Y screw.
Size: #6 cover
(shown at actual size)



- Install the cover plate and align it with the post. **(a)**
- Use the Y cover screw. **(b)**

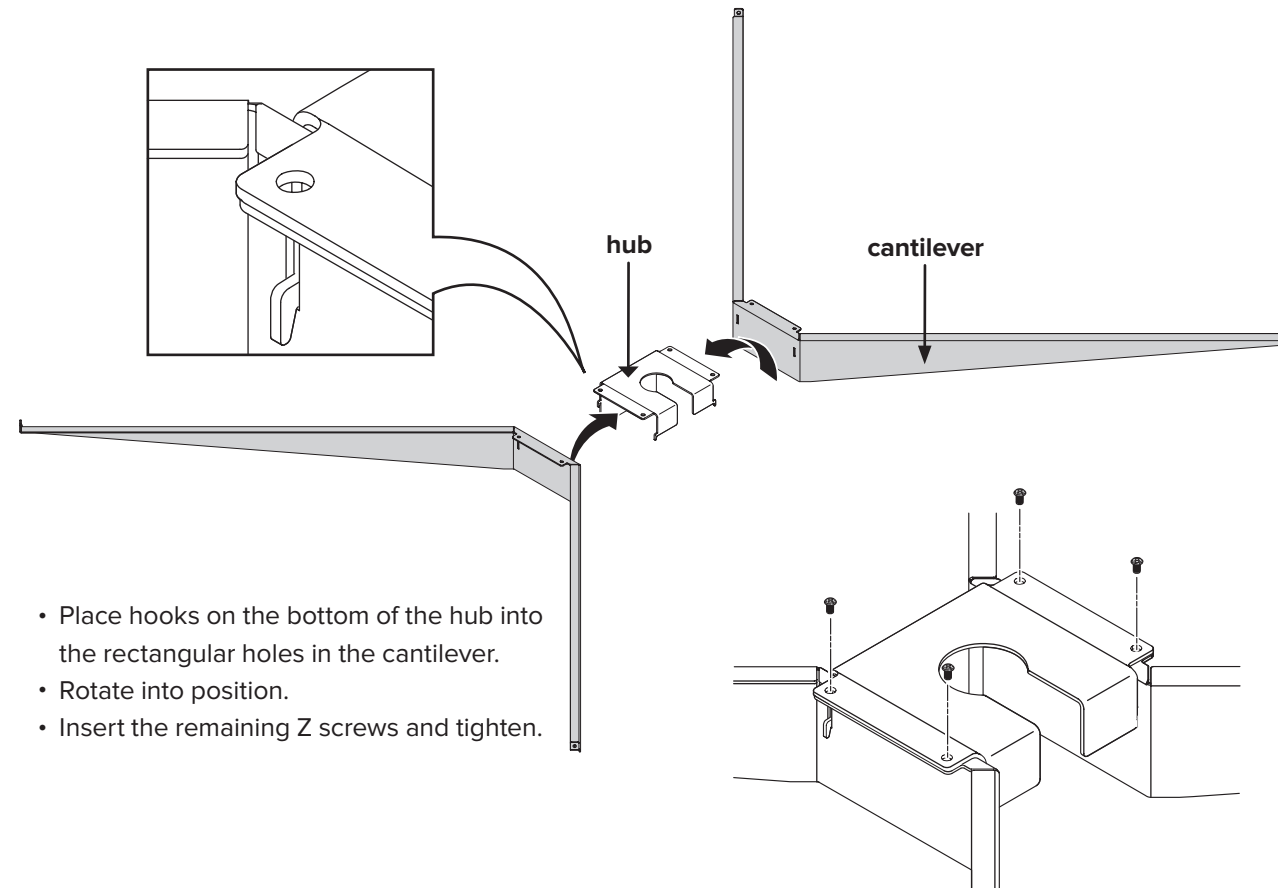
1 2 3 4 5 6 **7** 8 9 10 11 12 13 14 15

STEP 8

Attach hub to cantilever.



Use Z screw
Size: #10-24 x 1/2"
(shown at actual size)

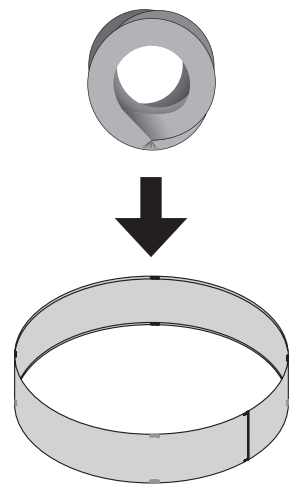


1 2 3 4 5 6 7 **8** 9 10 11 12 13 14 15

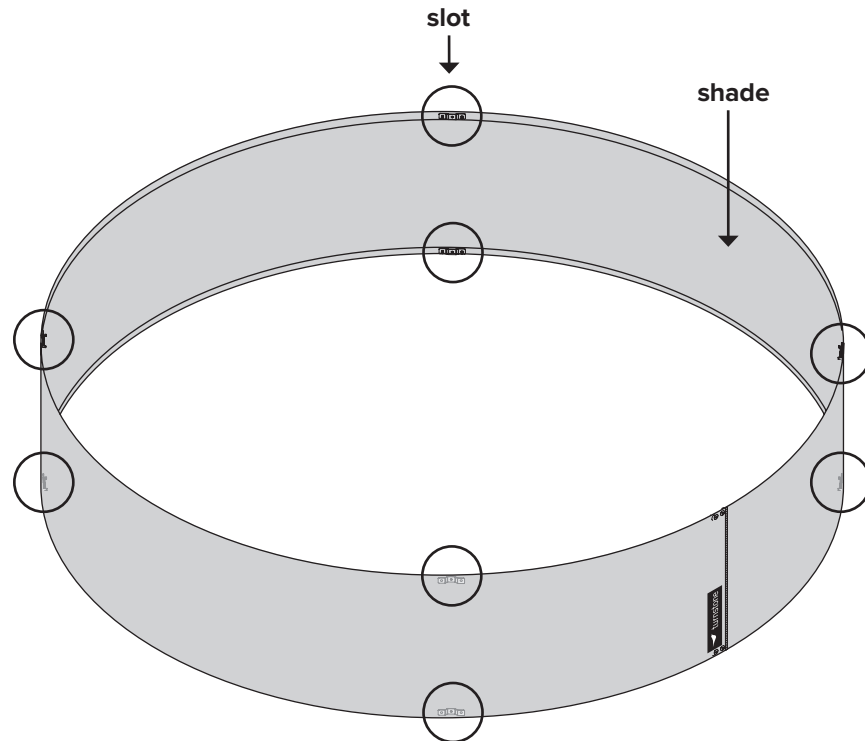
STEP

9

Unfold shade.



Note: The shade and diffuser are packaged folded up. They have spring steel supports that will unfold rapidly, so be sure you have enough room!



- Unfold the shade, remember it springs open. Make sure you have enough room to unfold it, or you might knock down any surrounding beverages.
- Make sure the slots (circled above) are visible in the top and bottom rings. If they are not visible, roll the steel through the shade to make them visible.

1 2 3 4 5 6 7 8 **9** 10 11 12 13 14 15

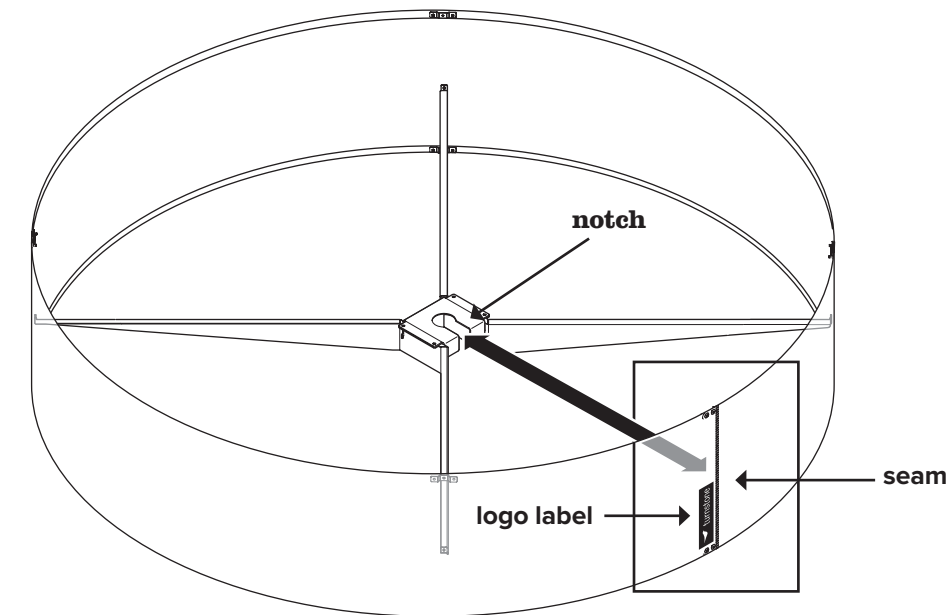
STEP

10

Align notch to seam.

tip

If you have a Campfire Alight™ round, you can place the shade onto the ottoman to make attaching the shade easier.

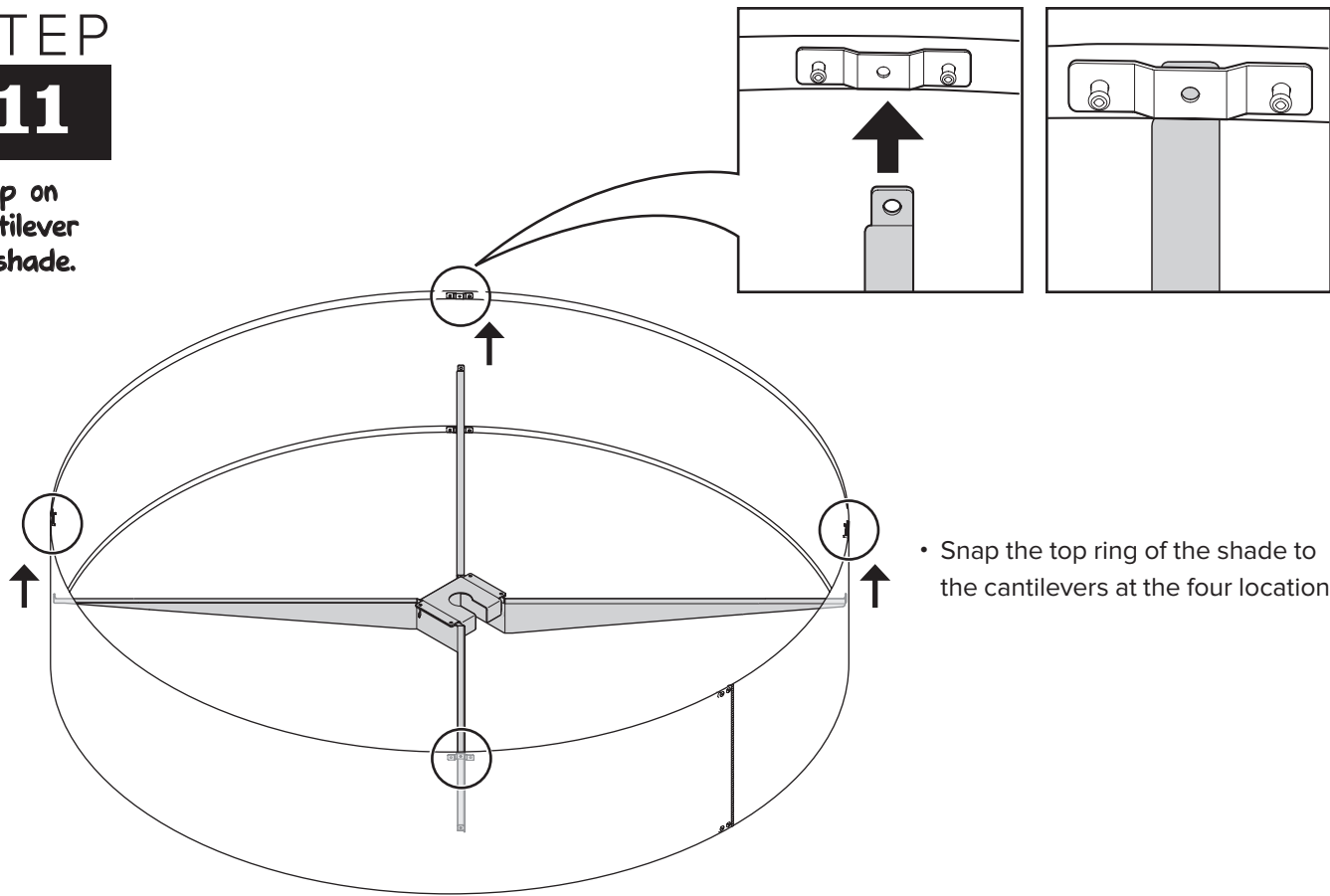


- Set the shade on the floor around the cantilevers. Find the seam in the shade. Got it? Great. Make sure the Turnstone logo label is at the bottom and the logo reads upwards. Now align it with the notch in the cantilever hub.

1 2 3 4 5 6 7 8 9 **10** 11 12 13 14 15

STEP 11

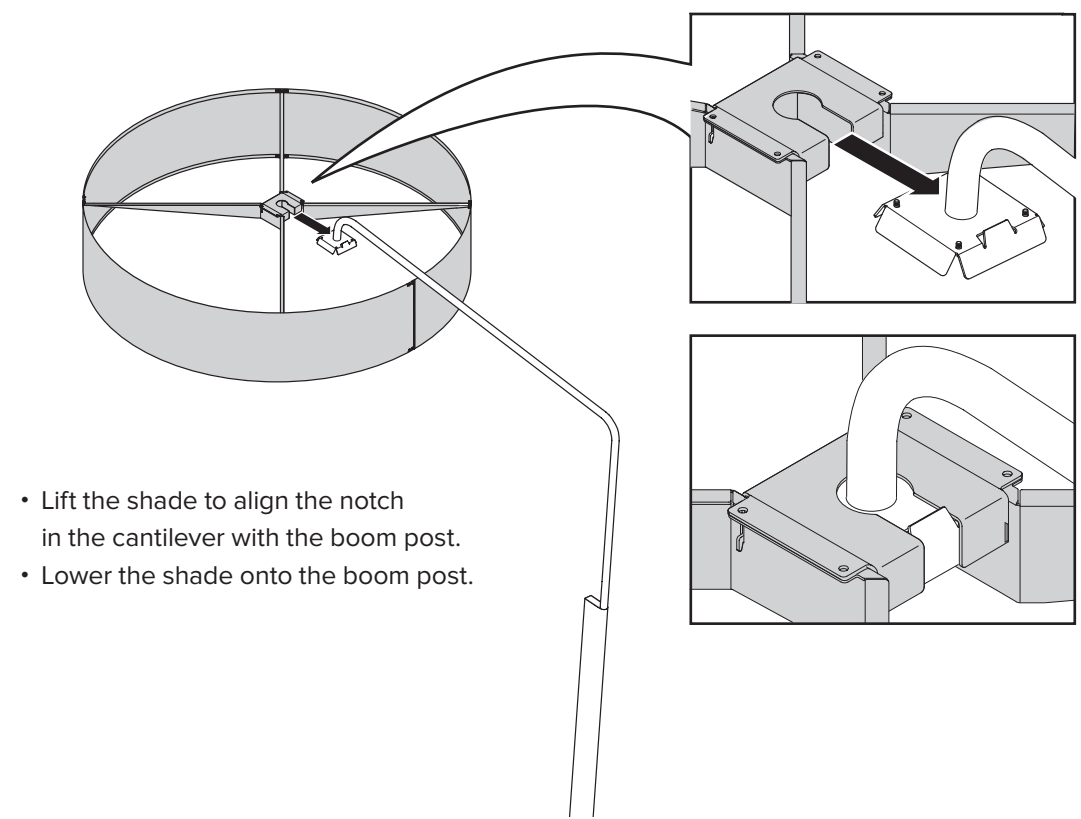
Snap on cantilever to shade.



- Snap the top ring of the shade to the cantilevers at the four locations.

STEP 12

Attach shade to boom post.



- Lift the shade to align the notch in the cantilever with the boom post.
- Lower the shade onto the boom post.

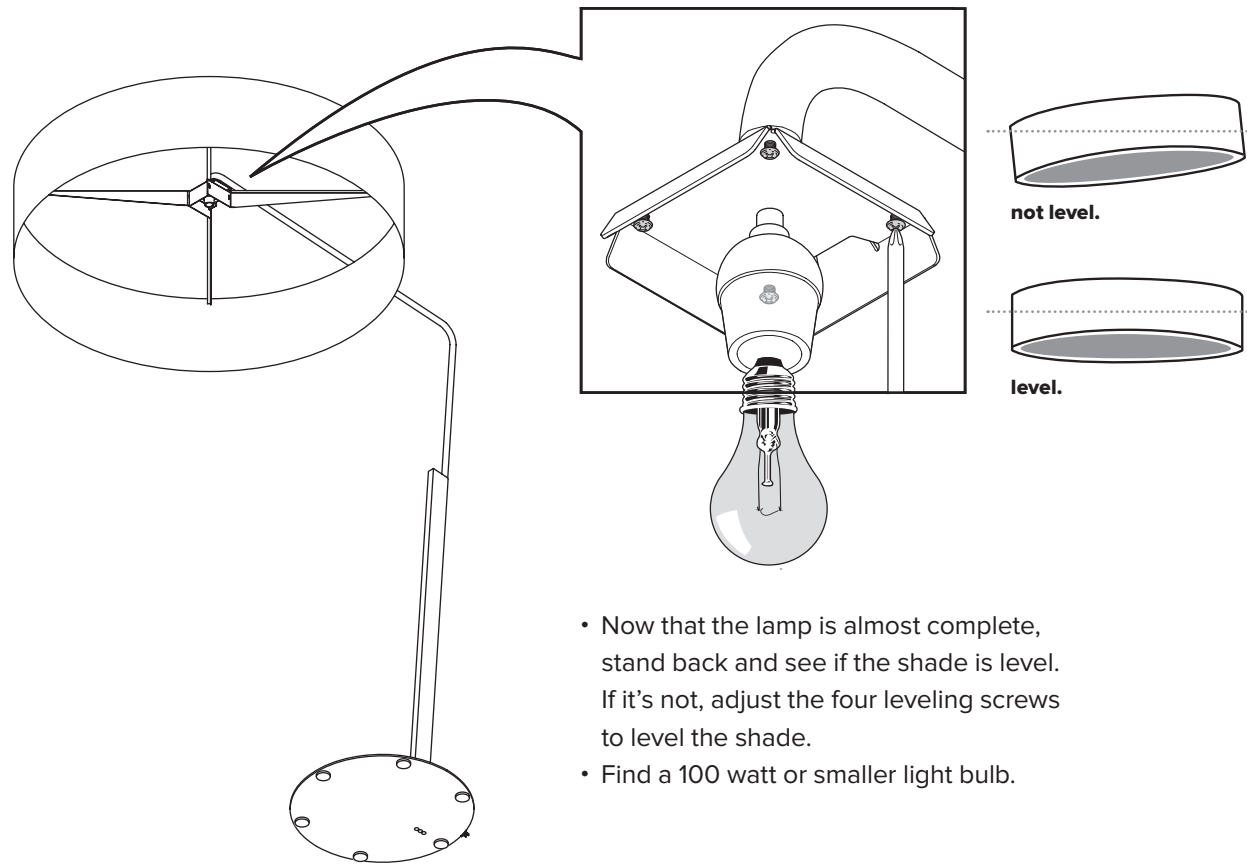
tips

Stepping into the shade as it rests on the ottoman makes lifting it up to the boom post a little easier.

If you find yourself on your tippee toes as you attempt to put the shade on, we recommend you ask a friend to lean the post and base forward so you can reach the shade.

STEP 13

Level shade, install light bulb.

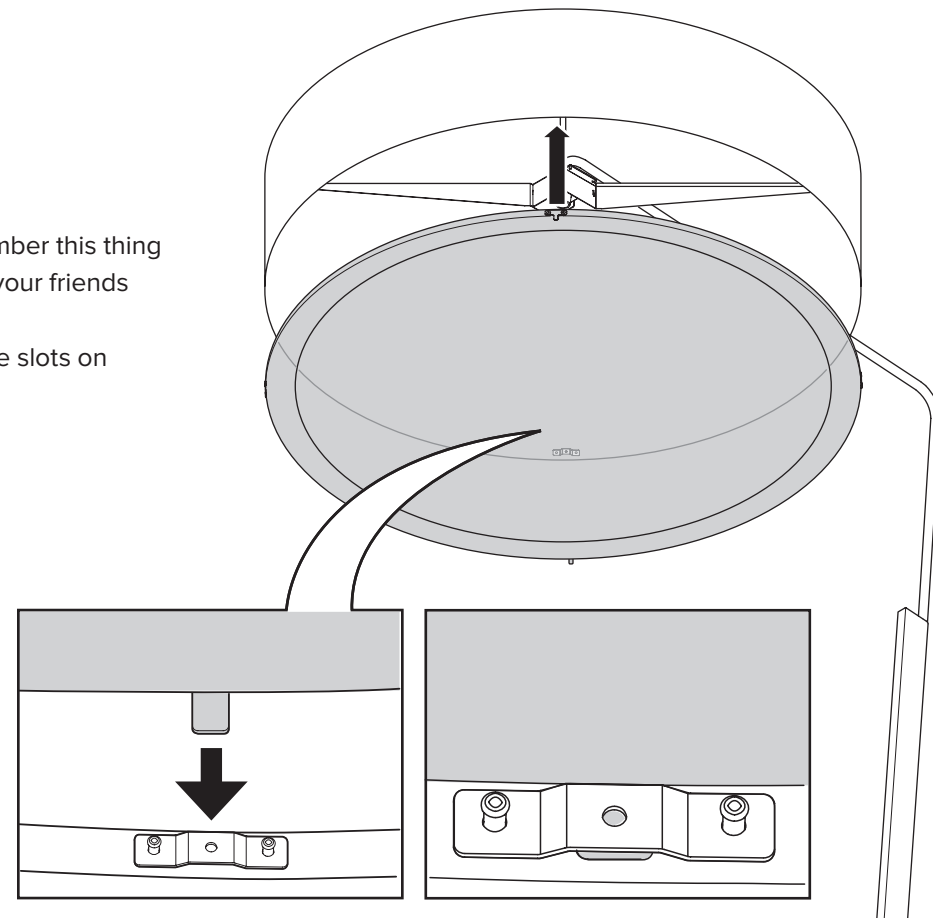


1 2 3 4 5 6 7 8 9 10 11 12 13 14 15

STEP 14

Attach diffuser to shade.

- Unfold the diffuser. Remember this thing flies open quickly so all of your friends should stand back.
- Insert the four clips into the slots on the bottom ring.

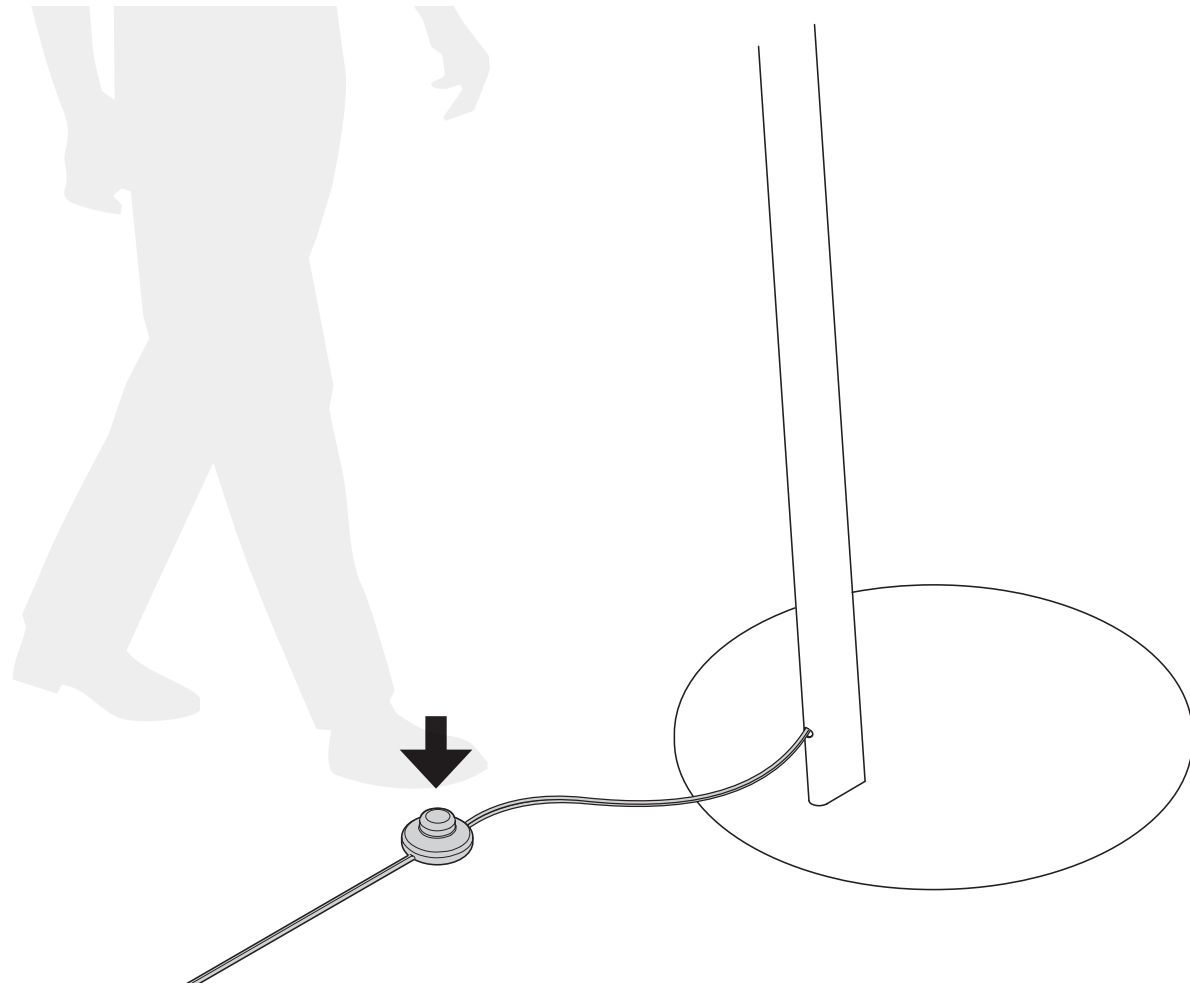


1 2 3 4 5 6 7 8 9 10 11 12 13 14 15

STEP
15

Plug in.
You're
finished!

- Plug in, step down, enjoy!



Visit myturnstone.com to see more spots.





turnstone®

available at:



800.531.3746

info@thehumansolution.com

thehumansolution.com

All rights reserved. ©2010 Steelcase Inc. Printed in the U.S.A. on recycled paper. ⓘ Data subject to change. Trademarks used herein are the property of Steelcase Inc. Some products and services may not be available in all countries. Your Turnstone representative can provide you with details.
ad-stock ID 10-0003020. **Campfire Big Lamp Assembly Instructions: 11/10**
engineering document 939500548 rev B.