

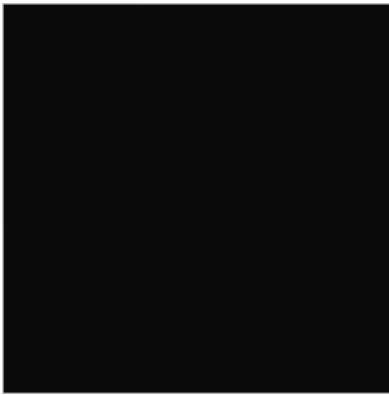
UPLIFT DESK®

L-SHAPED FRAME



Frames are available in three colors:

Black



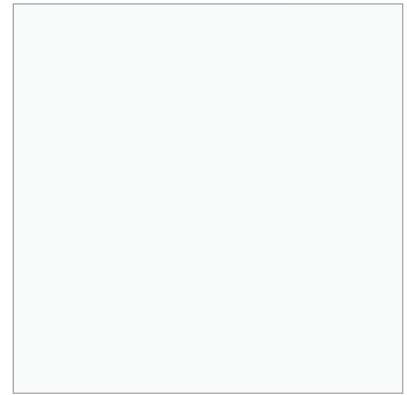
RAL 9005 (Jet Black)
Pantone Black

Gray



RAL 7045 (Telegray 1)
Pantone 423 C

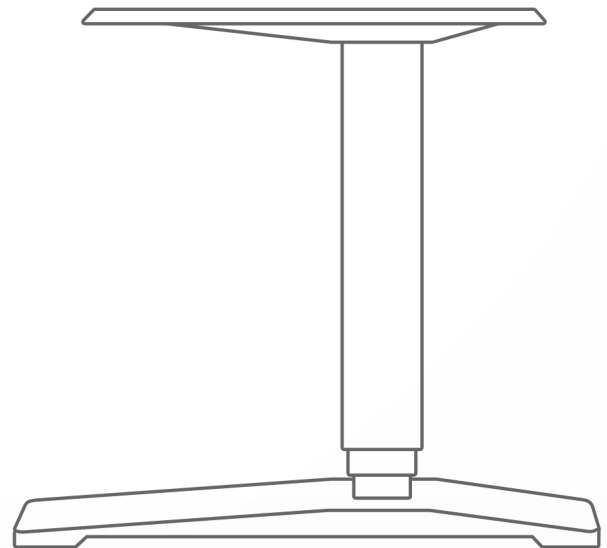
White



RAL 9016 (Traffic White)
Pantone 705

Note: varying degrees of gloss and powder coat can slightly change on the final product when compared to standardized color charts like RAL and Pantone.

The UPLIFT Desk frame comes in a stable C Shape. It features stiffer, cast aluminum feet, with the legs offset towards the rear of the desk. This positioning provides extra stability and 3.5" of additional space under the desktop for accessory installation.



UPLIFT DESK®

L-SHAPED FRAME

Frames are expandable to fit desktop sizes between 43" - 96" wide on each side. If you decide to change your top size in the future, there's no need to get an entirely new desk; simply adjust the frame to fit your new desktop. If you go from a very large to a very small top or vice versa, you may need to purchase additional components. For example, if you start with a top that's 30" deep and switch to a top that's 24" deep, you may want to purchase shorter feet so they don't stick out beyond the surface of the desktop.

Frames feature a motor in each leg for fast, quiet height adjustment. Motors are spindle-in-spindle, which means there is less chance of slippage or looseness as is found in chain or belt motors. Frames go high enough to accommodate 95% of the population; users over 6' 6" may want to purchase the optional locking casters, which provide an extra 1.5" of height to the desk.

Features:

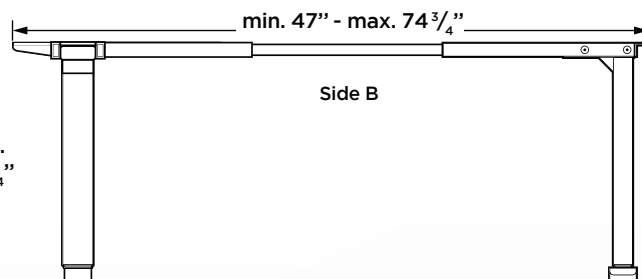
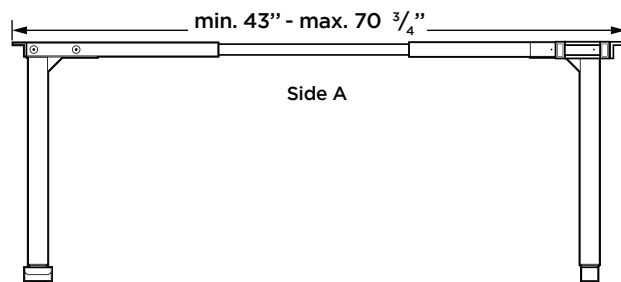
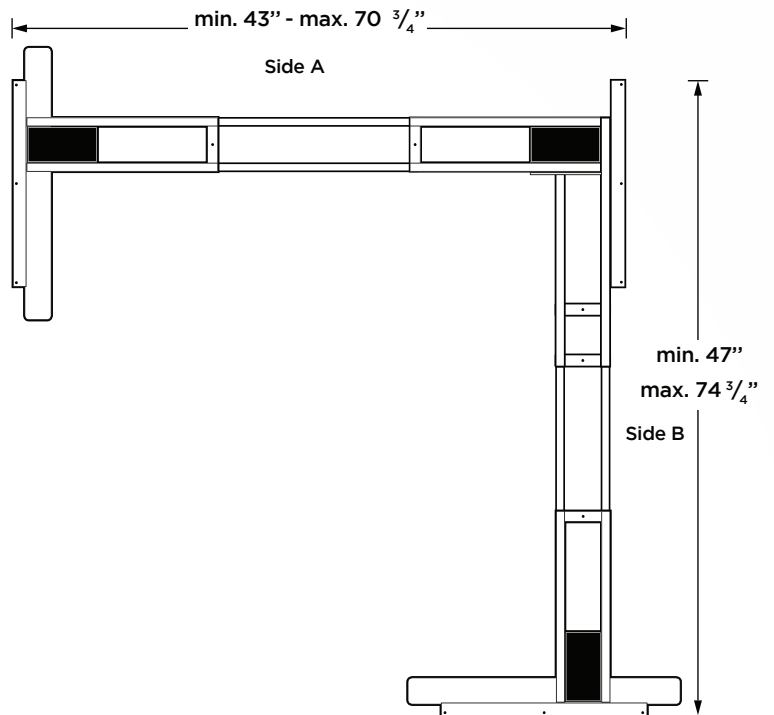
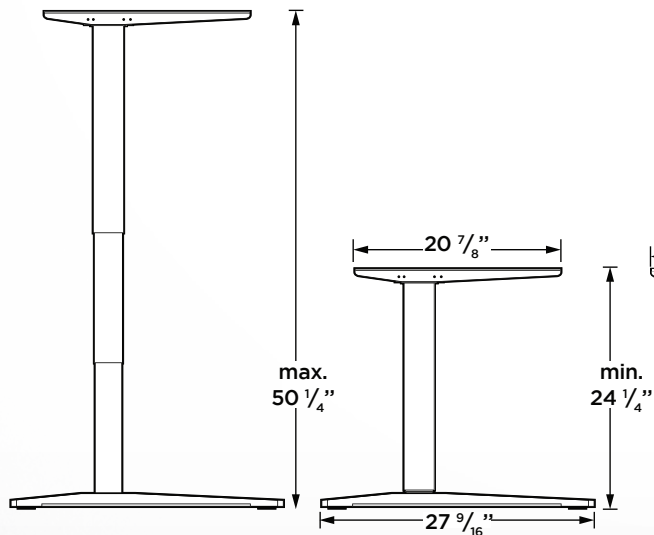
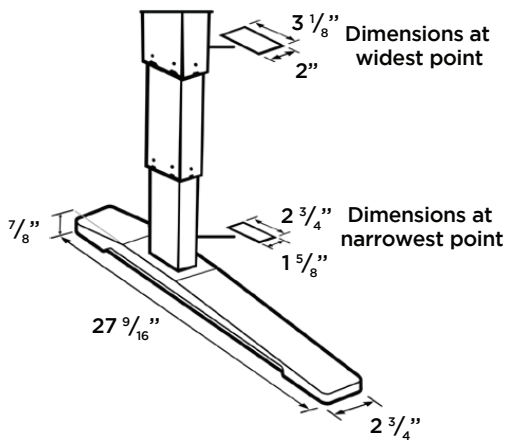
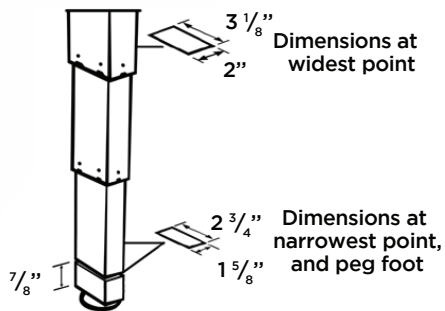
- 26" of smooth, quiet height adjustment with a soft start/stop motor in each leg
- Environmentally-friendly, low-draw transformer uses minimal electricity
- 530 lb weight capacity
- Telescopes to fit various desktop sizes
- Crossbar positioned directly under desktop for more leg room
- Powder-coated finish with no VOCs or off-gassing
- Control box with haul sensor aligns feet for speed
- Optional upgraded keypad with digital readout and memory settings
- Manufactured in Austin, Texas, from parts sourced both globally and in the USA

Height range	24.75" - 50.75"
Travel speed	1.5"/second (varies - slowest with maximum load) with soft start/stop actuator motors
Noise level	45 decibels during motion
Weight capacity	355 lbs
Keypad	Up/down keypad comes standard Digital memory keypad optional
Adjustable foot leveling studs	3/8" adjustment for uneven flooring
BIFMA/ANSI X5.5-2008 Certified	Yes
Warranty	7-year all-inclusive warranty on the entire desk base, which includes the motor, frame, controller, keypad, electronics and mechanisms. 12-year extended warranty available.

UPLIFT DESK®

L-SHAPED FRAME

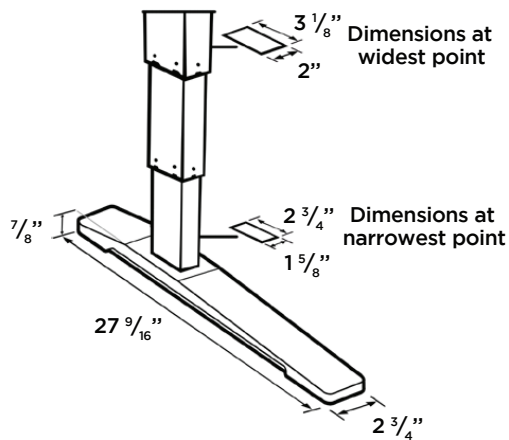
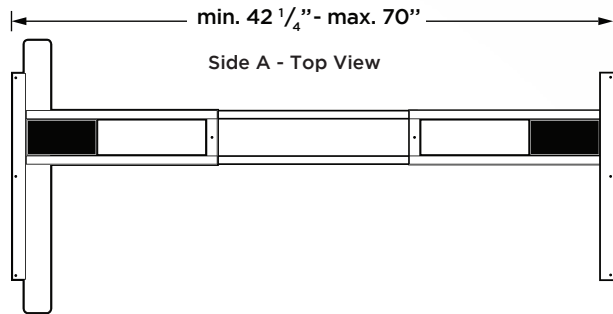
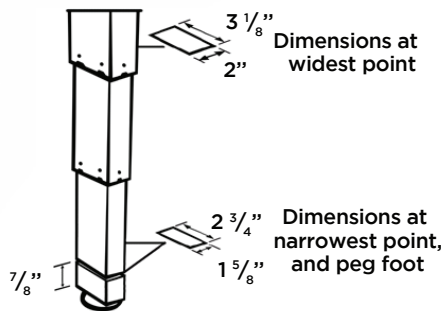
3-Leg Standard Configuration



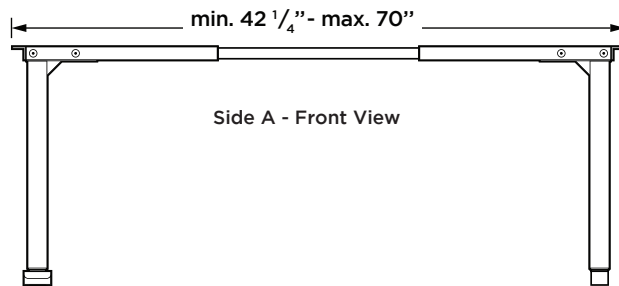
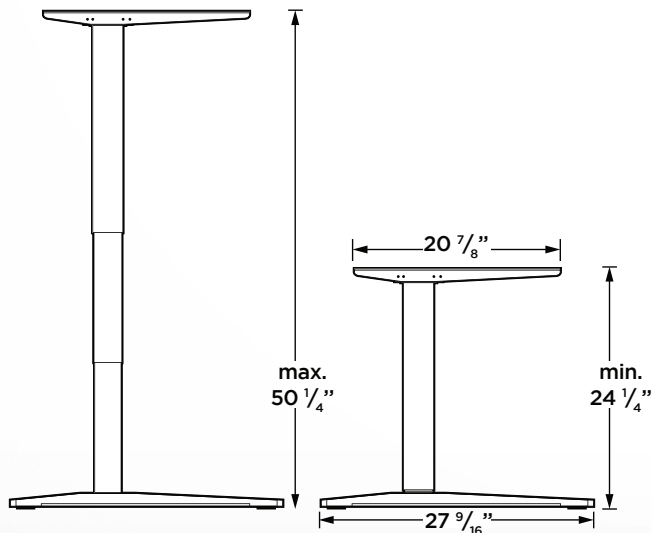
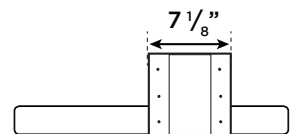
UPLIFT DESK®

L-SHAPED FRAME

3-Leg Alternate Configuration



Side B - Top View
loose third leg



Side B - Front View
loose third leg

