

# UPLIFT DESK®

## FRAME COLOR AND STYLE



Frames are available in three colors:

**Black**



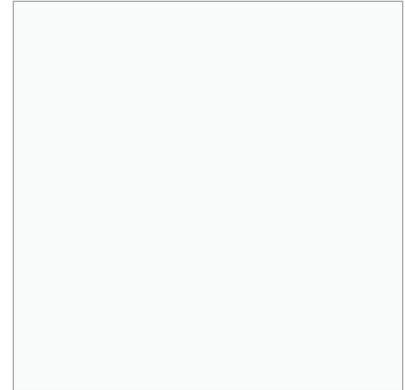
RAL 9005 (Jet Black)  
Pantone Black

**Gray**



RAL 7045 (Telegray 1)  
Pantone 423 C

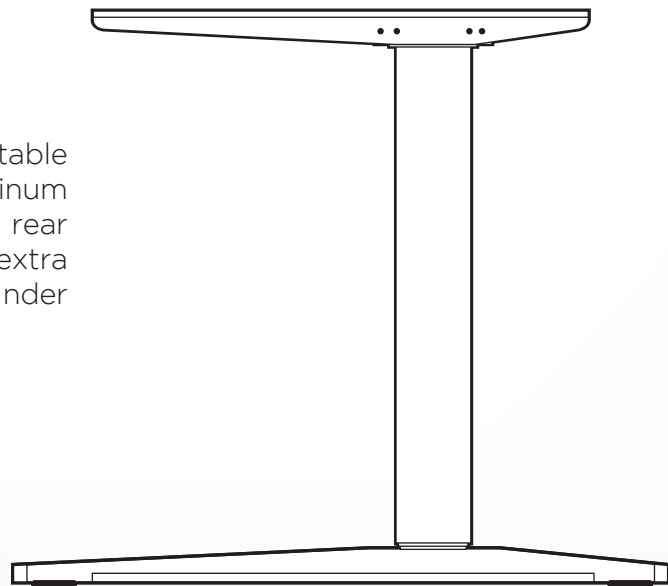
**White**



RAL 9016 (Traffic White)  
Pantone 705

*Note: varying degrees of gloss and powder coat can slightly change on the final product when compared to standardized color charts like RAL and Pantone.*

The UPLIFT Desk frame comes in a stable C Shape. It features stiffer, cast aluminum feet, with the legs offset towards the rear of the desk. This positioning provides extra stability and 3.5" of additional space under the desktop for accessory installation.



# UPLIFT DESK<sup>®</sup> FRAME COLOR AND STYLE

<b>Height range</b>	24.5" - 50.25"
<b>Base width</b>	Adjustable from 26" - 70" W
<b>Travel speed</b>	1.5"/second (varies - slowest with maximum load) with soft start/stop actuator motors
<b>Sound level</b>	45 decibels during motion
<b>Weight capacity</b>	355 lbs
<b>Keypad</b>	Advanced 1-touch digital memory keypad is available Push and hold up/down keypad comes standard
<b>Voltage</b>	Input: 110 V Output: 31 V
<b>Adjustable foot leveling studs</b>	3/8" adjustment for uneven flooring
<b>Transformer power</b>	200 W (0.2 W on standby)
<b>Power supply current</b>	5 amps
<b>BIFMA/ANSI X5.5-2008 Certified</b>	Yes
<b>Warranty</b>	7-year all-inclusive warranty on the entire desk base, which includes the motor, frame, controller, keypad, electronics and mechanisms. 12-year extended warranty available.

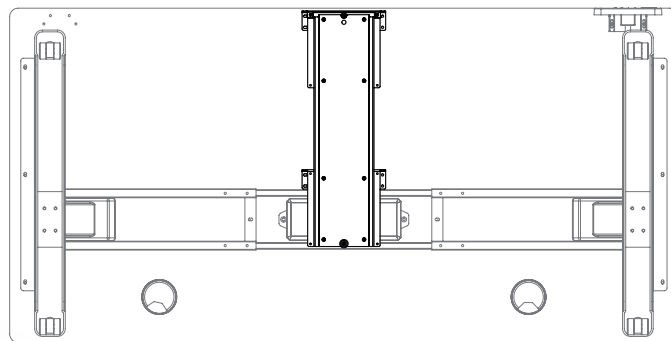
# UPLIFT DESK® FRAME COLOR AND STYLE

## Features

- 25.75" of height adjustment, soft start and stop, and an eco-friendly low-draw transformer
  - Telescopes to fit various desktop sizes
  - Crossbar positioned directly under desktop for more leg room
  - Powder-coated finish with no VOCs or off-gassing
  - Control box with haul sensor aligns feet for speed
  - Assembled in Austin, Texas from parts sourced both globally and within the USA
- 

Our frames are expandable to fit desktop sizes between 26" - 96" wide. If you decide to change your top size in the future, there's no need to get an entirely new desk; simply adjust the frame to fit your new desktop. If you go from a very large to a very small top or vice versa, you may need to purchase additional components. For example, if you start with a top that's 30" deep and switch to a top that's 24" deep, you may want to purchase shorter feet so they don't stick out beyond the surface of the desktop.

Frames feature a motor in each leg for fast, quiet height adjustment. Motors are spindle-in-spindle, which means there is less chance of slippage or looseness as is found in chain or belt motors. Both frames go high enough to accommodate 95% of the population; users over 6' 6" may want to purchase the optional locking casters, which provide an extra 1.5" of height to the desk.



[www.upliftdesk.com](http://www.upliftdesk.com)

800-349-3839 | [info@upliftdesk.com](mailto:info@upliftdesk.com)