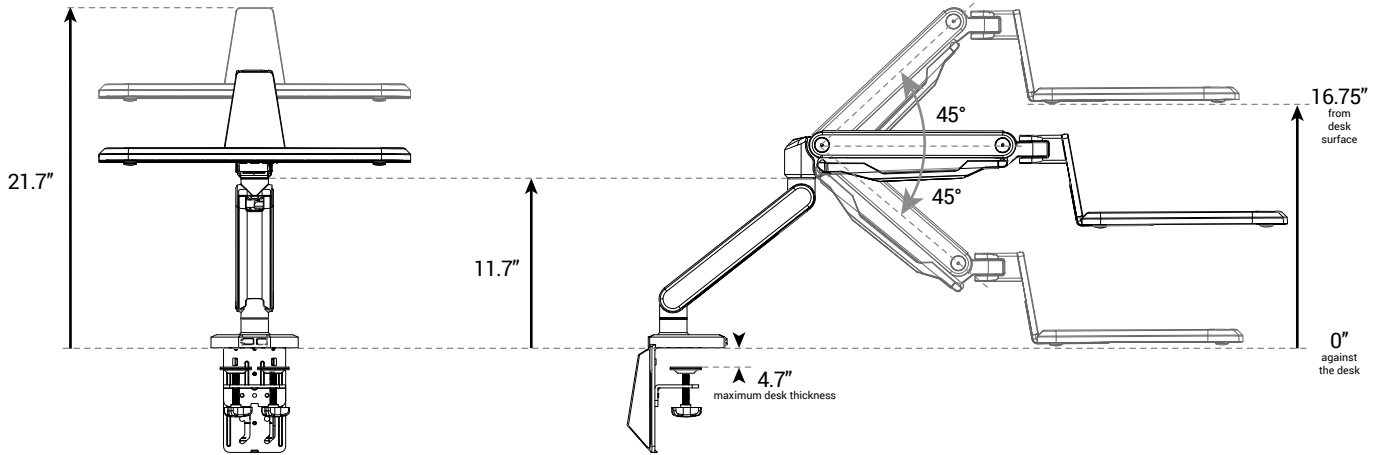


# UPLIFT DESK MOBILE STANDING CONVERTER UPLIFT DESK®

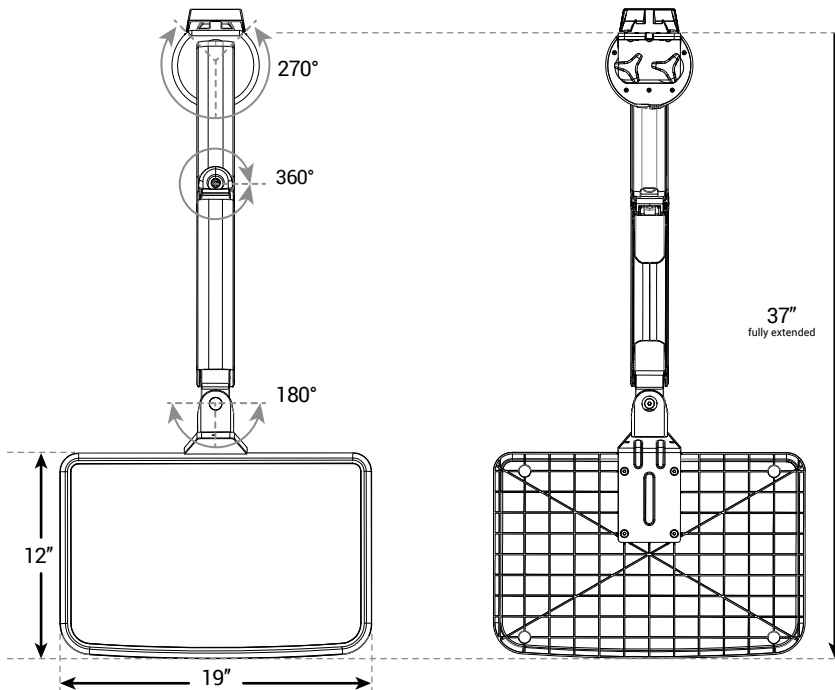
**FRONT VIEW**

**SIDE VIEW**



**TOP VIEW**

**BOTTOM VIEW**



## CAPABILITIES

- Height Adjustment Range** ..... 16.1" H
- Depth, Fully Extended** ..... 37" D
- Weight Capacity** ..... 15.4 lbs
- Display Rotation Range** ..... 360° display rotation range  
270° pan range
- Warranty** ..... 2 Years

## FEATURES

- Compatible with any notebook computer
- Integrated cable management keeps your workstation clean and organized
- Two USB ports in the mounting base allow easy access to swap peripherals or charge devices
- Clamp mount attaches to desks up to 4.7" thick
- Bolt-through mount also included for extra stability