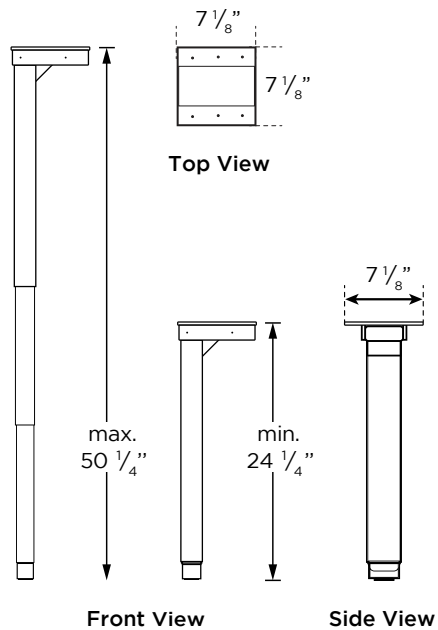


Leg placement can be left to the installer's preference; however, we do provide pre-drilled holes for easy assembly. We recommend evenly distributing the weight of the desktop on the legs for maximum stability



UPLIFT DESK®

4-Leg Height Adjustable Standing Desk Frame

