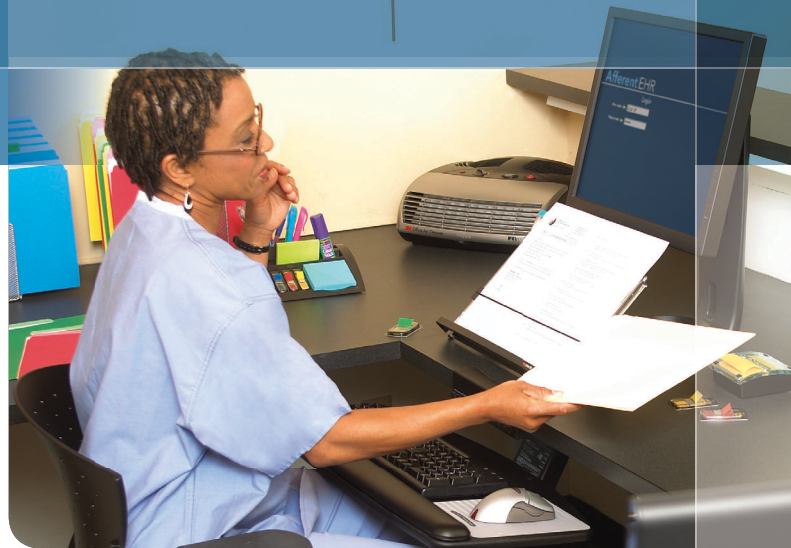


Adjustable Keyboard Tray

AKT90LE

Position your keyboard and mouse in their ergonomically correct position for maximum comfort and productivity. The standard keyboard platform, combined with an Easy Adjust Arm, provides a cost-effective solution to help build a better workspace.



- For workstations where mounting depth is greater than 23.5"
- Compatible with corner workstations
- 5 year warranty on keyboard tray
- 1 year warranty on wrist rest



*†See back for detailed information

3M

Specifications



23" Track / Easy Adjust Arm



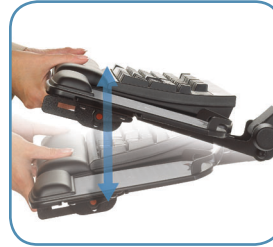
KP100LE Standard Platform for keyboard and mouse

Platform Type	Standard platform for keyboard and mouse
Arm Type	Easy Adjust
Accepts Second Mouse Platform (sold separately)	No
Tilt Range Forward/Backward	+10°/-15°
Swivel Range	360°
Track Length Inches (mm)	23" (584)
Max Height Above Mounting Surface Inches (mm)	4" (101)
Max Depth Below Mounting Surface Inches (mm)	6" (152)
Min Width Below Mounting Surface Inches (mm)	26" (660)
Min Depth Below Mounting Surface Inches (mm)	23.5" (596)
Fits Corner Workstation	Yes
Warranty Years	5 year, 1 year on wrist rest

Adjusting



Standard platform accommodates both keyboard and mouse



Tilt the platform to raise height, then release to lock in place



Self-adhesive mousing surface is positionable left or right

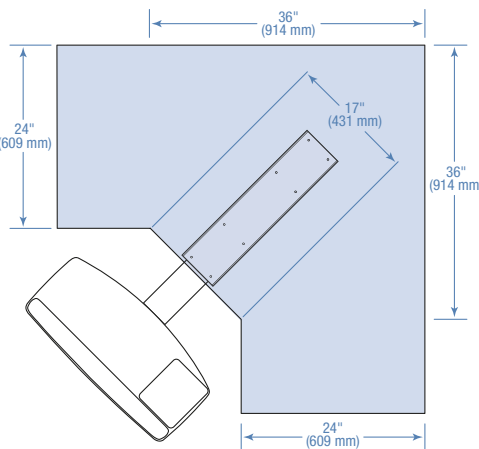
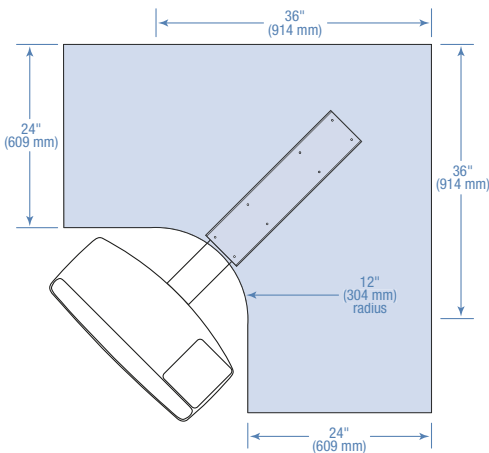


Features tilt and height indicators – tilt adjusts by turning knob to dial in desired angle

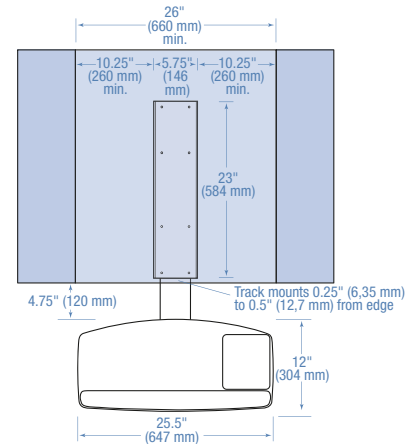


Compatible with Ergonomic Keyboards – use 3M™ WR314LE Wrist Rest (sold separately) in place of wrist rest included with AKT

Installation Minimums



Dimensions



available at:



800.531.3746

info@thehumansolution.com
thehumansolution.com

*Antimicrobial Product Protection

Gel-filled wrist rests with antimicrobial protection inhibits the growth of microorganisms, such as bacteria, on the product surface, that can cause stains, odors and product degradation.

*Battery Saving Mousepad Designs

Products identified by this symbol feature 3M™ Precise™ Optical Mousing Surfaces with battery saving designs which extend the battery life of wireless optical mice up to 75%. Our lab testing has shown that these surfaces draw less current and thus offer 75% more battery life. The lab tests were done using mice from the leading manufacturers in the marketplace (Microsoft and Logitech) in conjunction with batteries from the leading battery manufacturers in the US (EnerGelizer, Duracell and Rayovac). Our battery saving mousing surfaces feature the 3M micro-textured technology used to make 3M™ Precise™ Optical Mousing Surfaces.

Please recycle. Printed in U.S.A. 3M and Precise are trademarks of 3M. © 3M 2008

70-0714-3239-0

2147SA011708