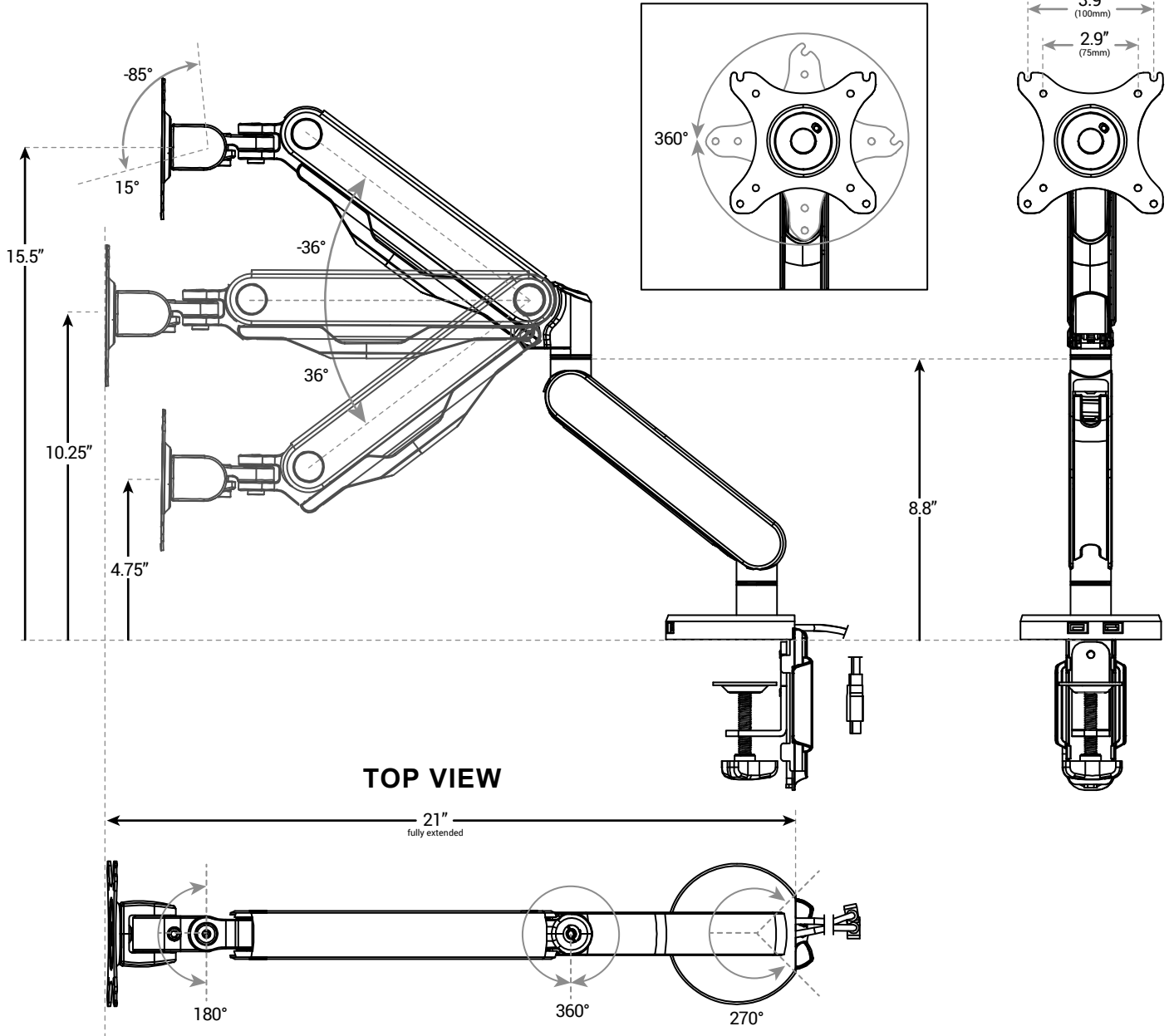


ACC301

**SIDE VIEW**

**FRONT VIEW**



**TOP VIEW**

## CAPABILITIES

- Height Adjustment Range** ..... 10.75" H
- Weight Capacity** ..... 19.8 lbs
- Display Rotation Range** ..... 360° display rotation range
- Monitor Compatibility** ..... VESA 75mm & 100mm
- Warranty** ..... 5 Years

## FEATURES

- USB jacks located in the clamp mount for easy plug access for peripherals.
- Allows you to easily adjust the height, depth and tilt of your monitor
- In-line wire management minimizes cable clutter
- Large, stable clamp mount attaches to desks up to 4.7" thick