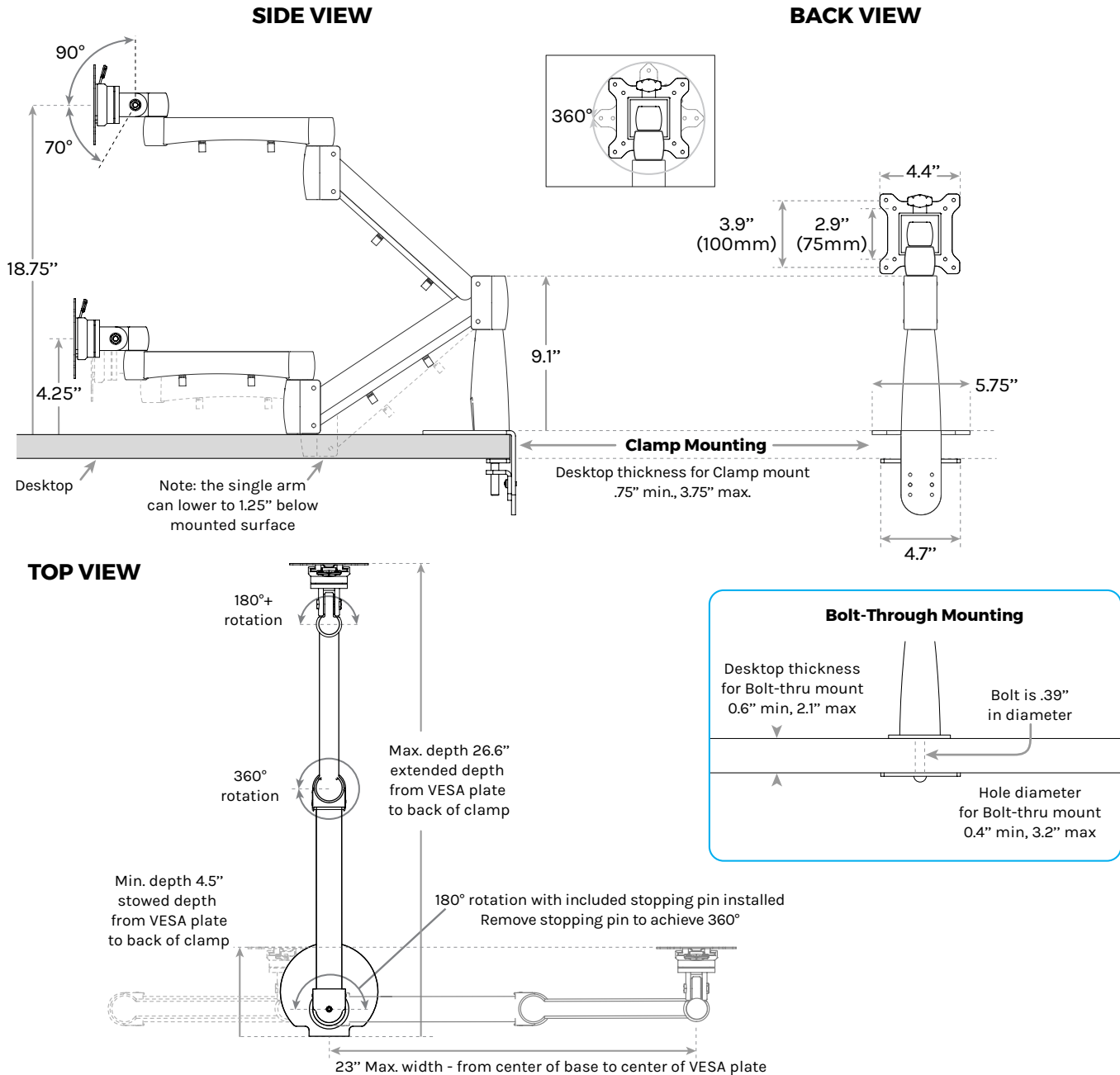


Range Single Monitor Arm

SKU: MON020

Specifications



| | |
|-----------------------------|--|
| Colors | Black, Gray, White |
| Monitor Weight Range | 4.5 - 17.5 lb |
| Mounting Type | Clamp or Bolt-Through Mount |
| Unit Weight | 9 lb 14 oz (if clamped to desk) 8 lb 10 oz (if bolted through desk) |
| VESA Plate | 75mm x 75mm & 100mm x 100mm quick release |
| Warranty | 15 year |



For help with assembly, find our assembly instructions at <https://bit.ly/2YnhRnh>

For technical questions and support call 800-349-3839, email info@upliftdesk.com, or visit our chat service at upliftdesk.com