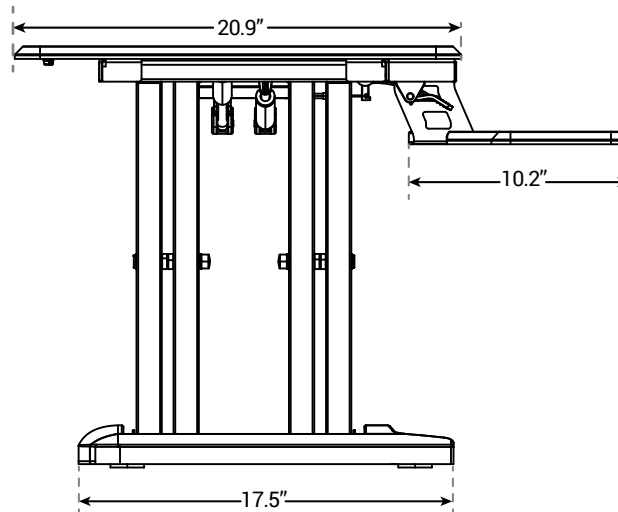
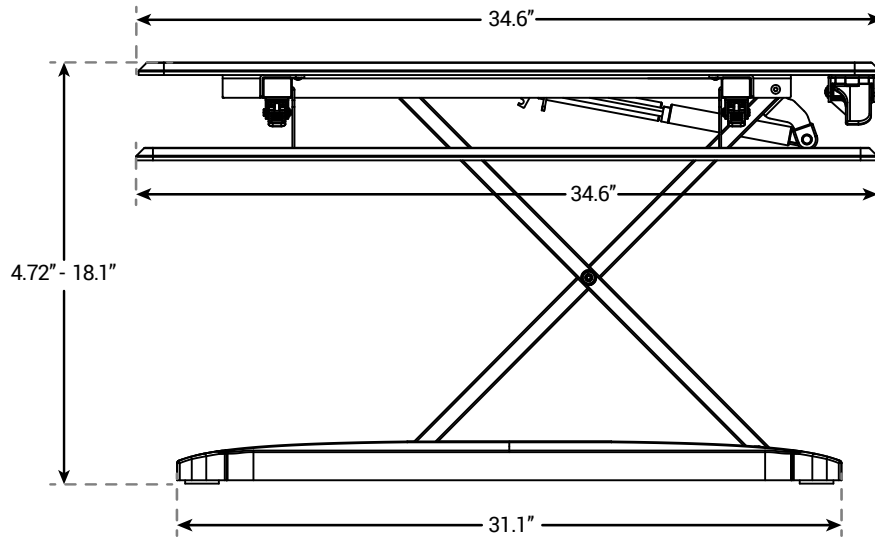


XF STANDING DESK CONVERTER-MED

UPLIFT DESK®

Specifications



CAPABILITIES

Max Weight limit	33 lbs
Height Range	13.4"
Color Options	Black or White
Warranty	2 years

FEATURES

- Minimal assembly required, just attach the keyboard tray.
- Quickly converts your workstation into a sit-to-stand desk.
- No electricity needed.