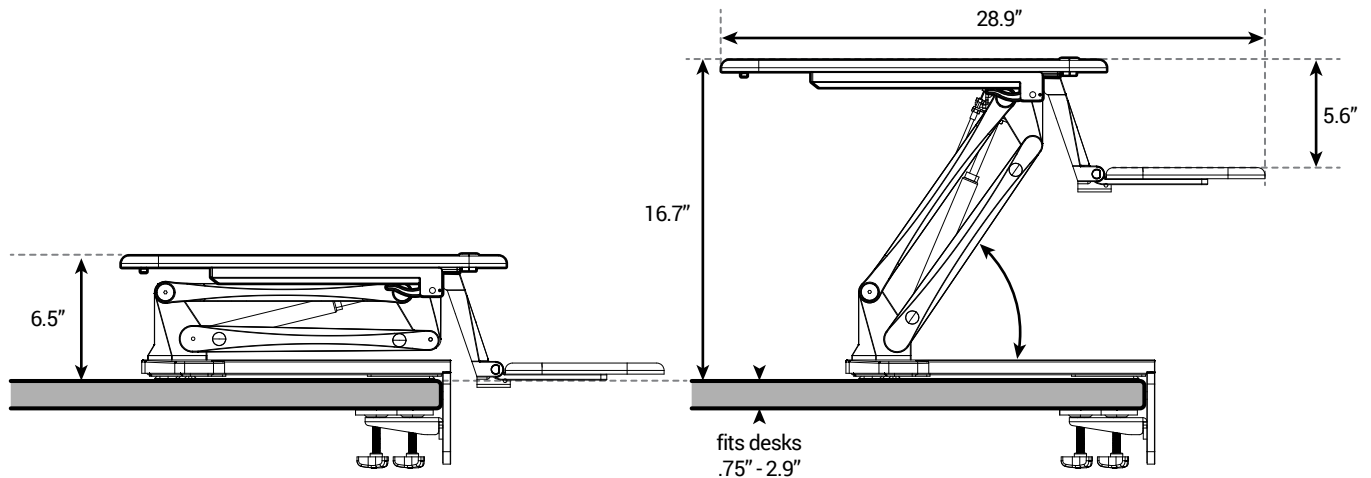
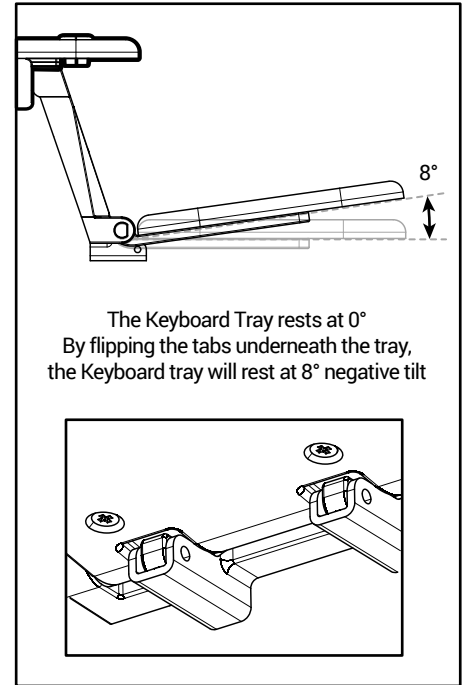
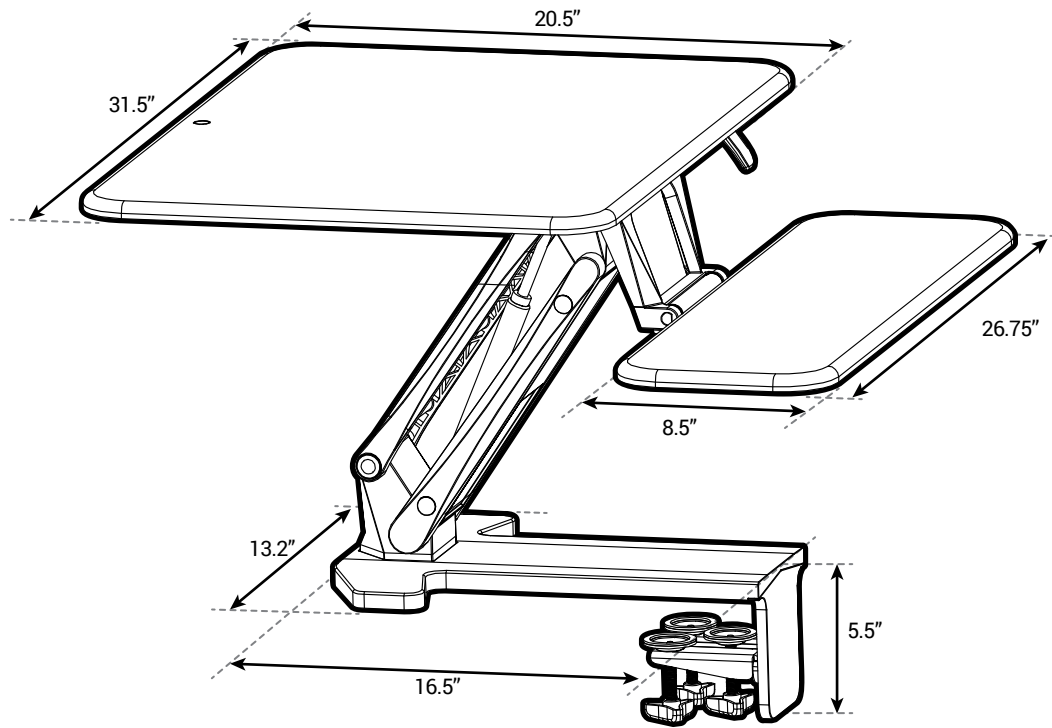


FRONT CLAMP STANDING DESK CONVERTER UPLIFT DESK®

UDA118-MED



CAPABILITIES

Height Range	16.7"
Adjustment Type	Pneumatic
Weight Capacity	33 lbs
Color	Black, White
Warranty	2 years

FEATURES

- Pneumatic adjustment does not require an electric outlet
- Keyboard tray folds up to save space at your workstation
- Tiered keyboard tray and mousing platform for ideal ergonomic postures
- Clamp mount allows attached keyboard tray to lower below desk surface for ideal ergonomic typing position whether sitting or standing