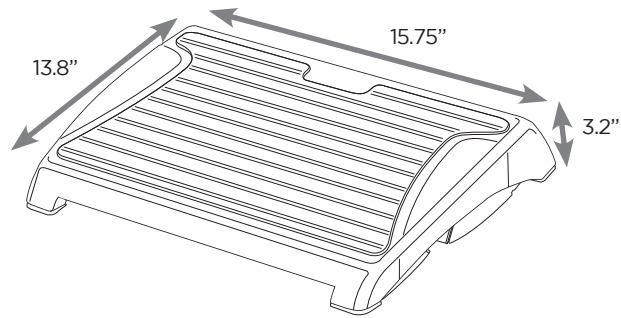


UPLIFT DESK[®] E3 Adjustable Footrest ACC019

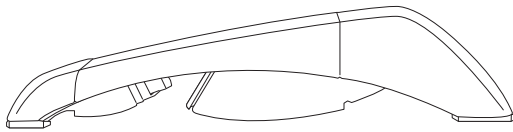
Package contents
E3 Adjustable Footrest



Position 1

The E3 Adjustable Footrest comes fully assembled.

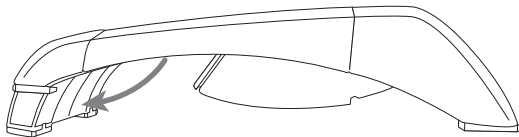
It comes out of the box in its most compact position, with the footrest at a 12° angle. Should you desire to have it at a lower or higher angle, fold out the feet underneath the footrest. See all of the alternate positions below.



12° angle

Position 2

Fold out the front legs to set the footrest at a 6° angle, allowing you to keep your feet almost parallel to the floor.

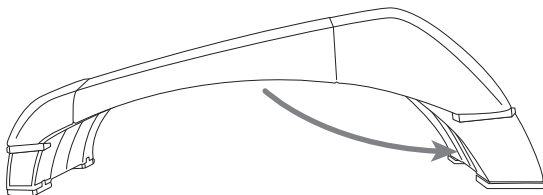


6° angle

Position 3

Folding out the back legs while the front legs are extended will raise the footrest to its highest height at a 16° angle.

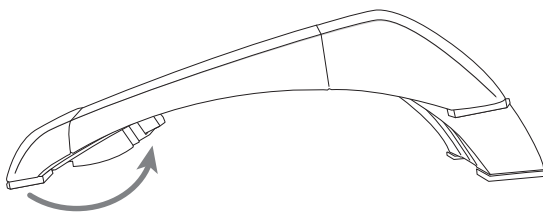
This is the tallest setting of the footrest, and is most beneficial for petite users.



16° angle

Position 4

To achieve the steepest angle, extend the back legs and fold in the front legs to raise the unit to a 25° angle.



25° angle



CAUTION: Read all instructions before use.



CAUTION: Do not stand on, or put your entire weight on the footrest.

© Copyright Notice: This guide is a component of the E3 Adjustable Footrest. This guide is a part of the scope of delivery, even if the item is resold. This guide is also available on the UPLIFT Desk website: upliftdesk.com. Excerpts or copies may not be forwarded to third parties or used in any other published form without the prior written consent of UPLIFT Desk. These instructions are subject to United States copyright law.

© UPLIFT Desk • 1-800-349-3839 • info@upliftdesk.com • www.upliftdesk.com

ACC019/R02