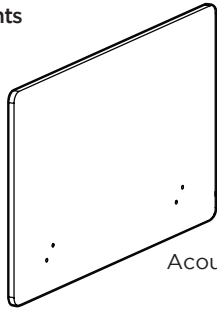


UPLIFT DESK[®] Acoustic Privacy Panel Instructions ACC021

Package Contents



Acoustic Privacy Panel

Mounting Hardware
(comes in box for item
ACC022, separate from
the Privacy screen)



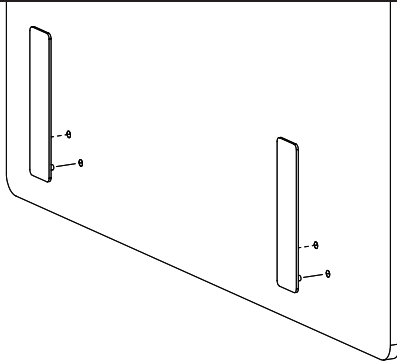
Flat-head
screws
(qty 4)



Clamp
bracket
(qty 2)



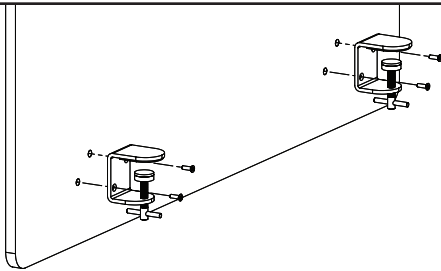
Support
bracket
(qty 2)



Step 1

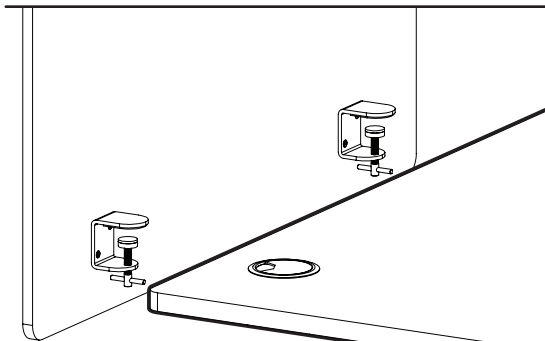
Before attaching hardware, remove the material from the pre-cut holes with your finger or a pencil. You should be able to see these pre-cut holes near the bottom of the panel.

Line up the pegs on the Support bracket with the holes on your Acoustic Privacy Panel, and push them inside so the Support bracket is flush with the panel.



Step 2

From the other side, line the Clamp bracket up with those holes. Insert the Flat-head screws and tighten.

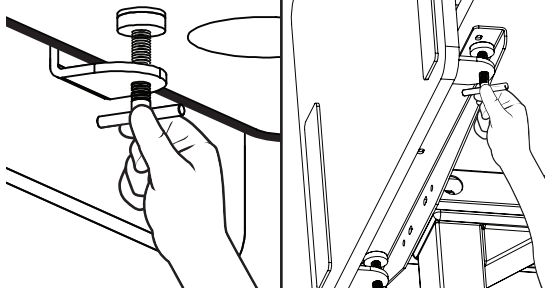


Step 3

Loosen both clamps so that the opening is wide enough to slide onto your desk. The included hardware will fit desktops up to 1.75" thick.

fig. 1
clamp on
back of desk

fig. 2
clamp on
side of desk



Step 4

Once on the desk, tighten the clamps onto your desktop (see figure 1).

Note: If you're attaching a Side Acoustic Privacy Panel, make sure the clamps are tightened onto the desk's bracket (see figure 2).

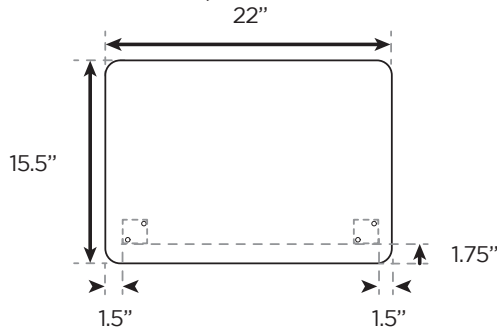


Read all instructions before assembly. Failure to assemble properly may result in damage.

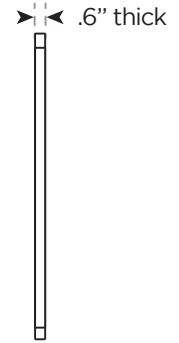
UPLIFT DESK[®] Acoustic Privacy Panel Dimensions ACC021

Side Panel

Each pair of the Side panel model's mounting holes are located 1.5" from each end, and 1.75" from the bottom.



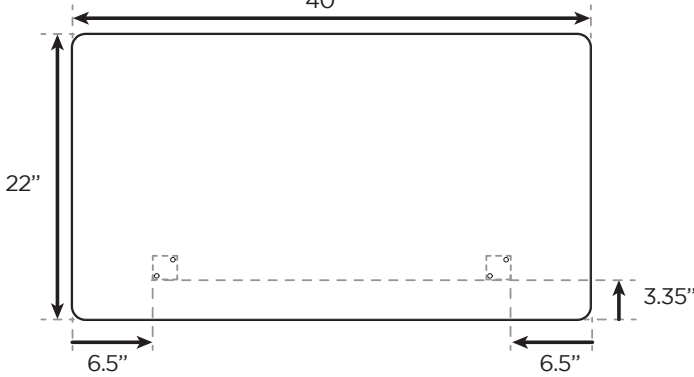
Side view - All models



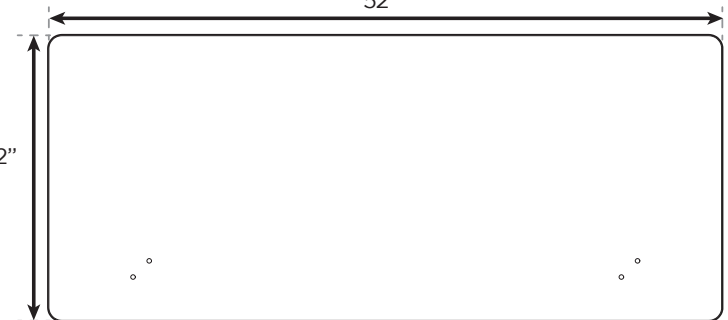
Back Panels

On every Back panel model, each pair of mounting holes are located 6.5" from each end, and 3.35" from the bottom.

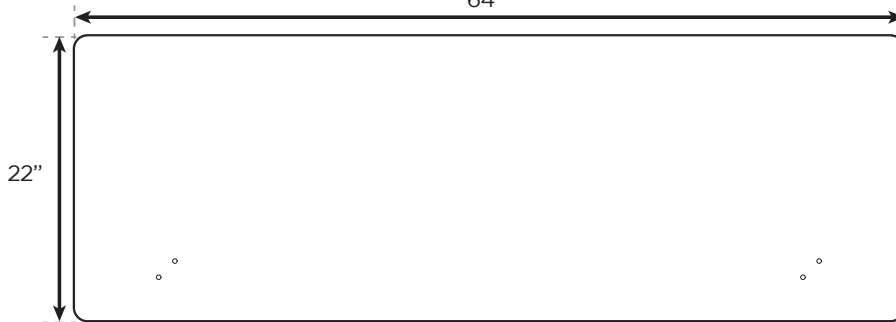
40" model



52" model



64" model



72" model

