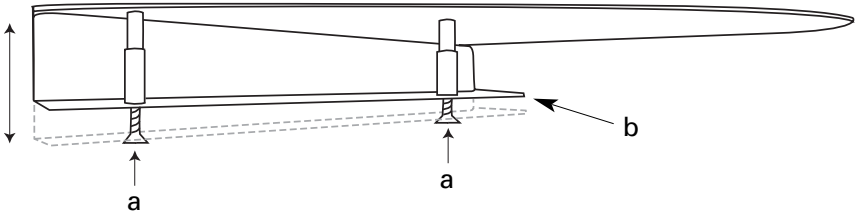


Corner Sleeve Installation Instructions

(DE200)

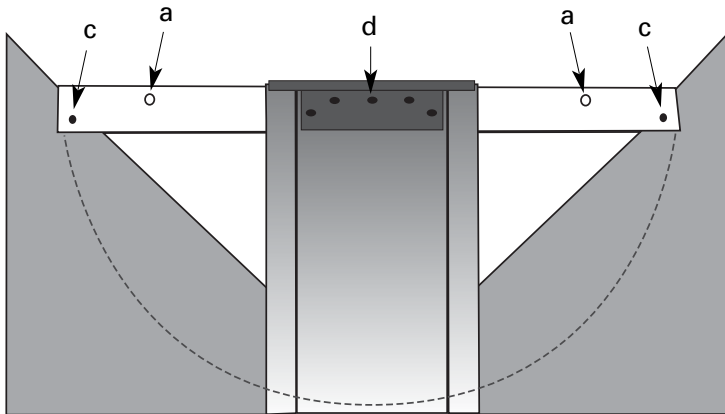
Package Contents:

- 1 – Corner Sleeve
- 2 – 5/8" screws
- 5 – 5/8" self-tapping metal screws



To Install:

1. Loosen screws (a) and adjust bottom support (b) to approximate desk thickness.
2. Place unit on desk and center so that both edges are equidistant from the corner.
3. Tighten screws (a) so that unit fits securely to desk.
4. Attach unit to desk by installing screws through corner holes (c).
5. If using with a keyboard system, attach track to unit at (d) using self-tapping screws.



(view from under desk)



www.thehumansolution.com
info@thehumansolution.com
800.531.3746