

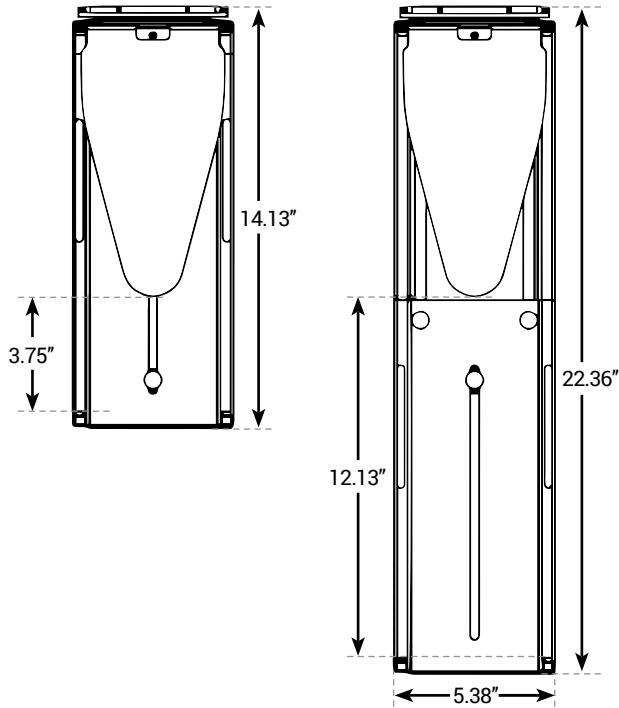
UPLIFT CPU HOLDER

UPLIFT DESK®

CPU128

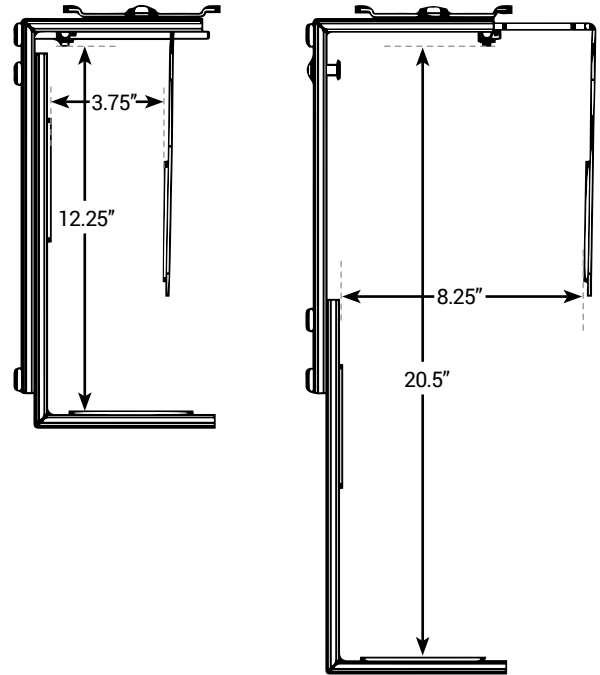
SIDE VIEW

fully extended



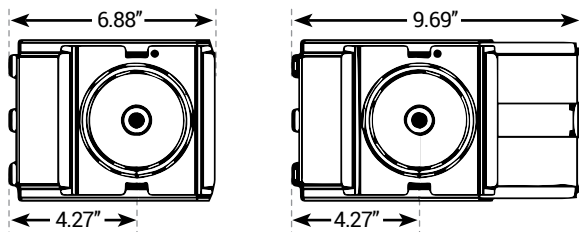
FRONT VIEW

fully extended



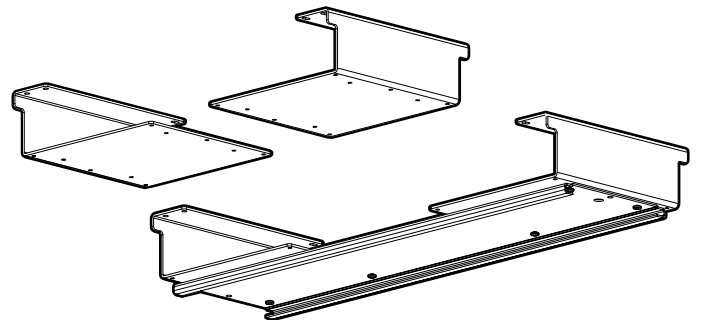
TOP VIEW

fully extended



ADDITIONAL PIECES

Track Spacer To help track clear obstacles like crossbar rails



CAPABILITIES

Weight Capacity	50 lbs
CPU Width	Accommodates 3.75" - 8.25" W
CPU Height	Accommodates 12" - 20.5" H
Track Length	16" L
Swivel at Mount	360°
Warranty	2 years

FEATURES

- Mounts to the underside of your desk via mounting hardware and 16" track
- Swivels 360 degrees and retracts along track, allowing for easy adjustment and access to ports
- Adjusts to fit computer towers ranging from 3.75" to 8.25" wide and 12" to 20.5" high
- Durable black textured powder-coated steel frame can hold CPU up to 50 lbs