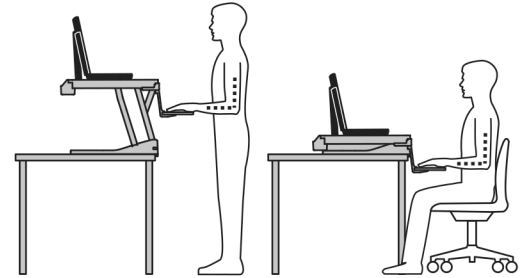
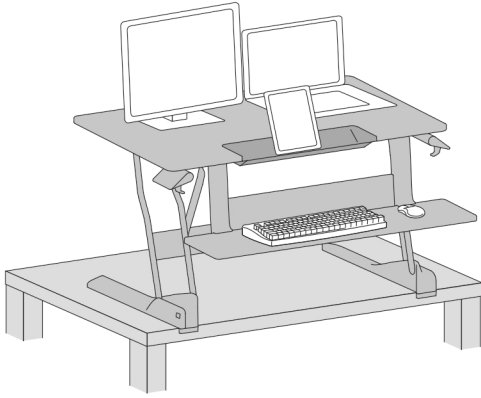
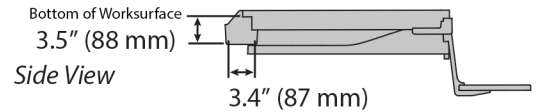
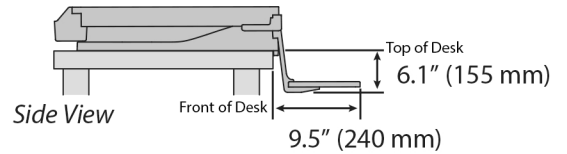
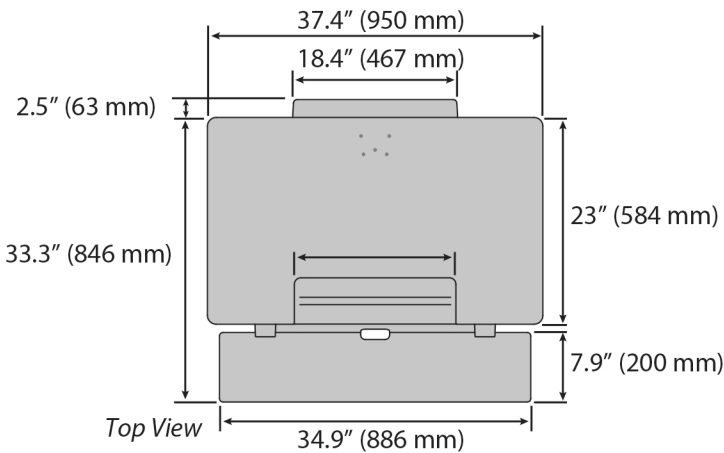
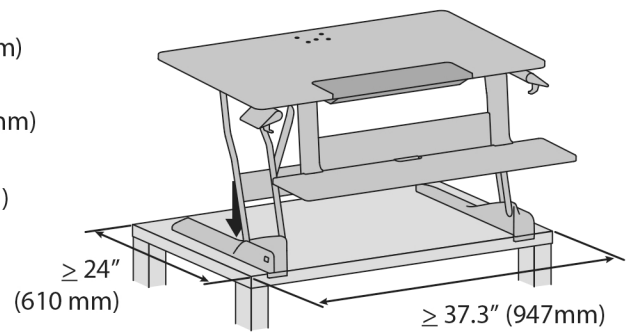
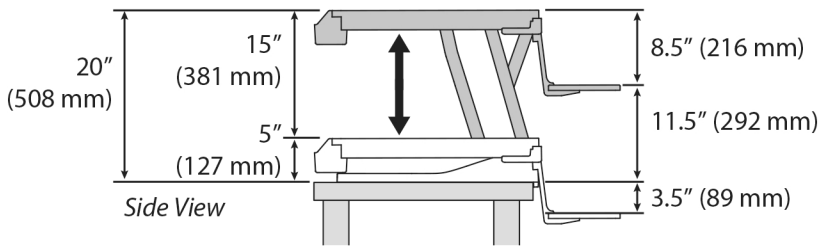


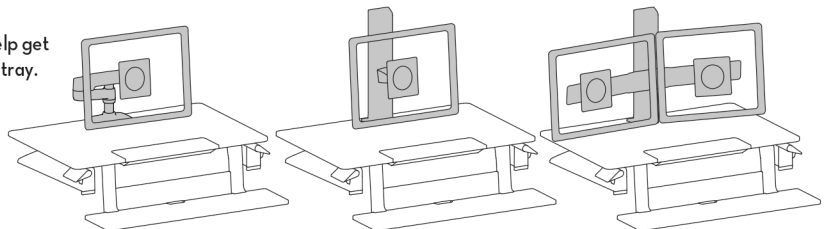
WorkFit-TLE with Suspended Keyboard Tray



Dimensions



We recommend one of our monitor mounting accessories to help get your monitor to the right ergonomic height from the keyboard tray.



WorkFit-TLE with Suspended Keyboard Tray

Weight Capacity

