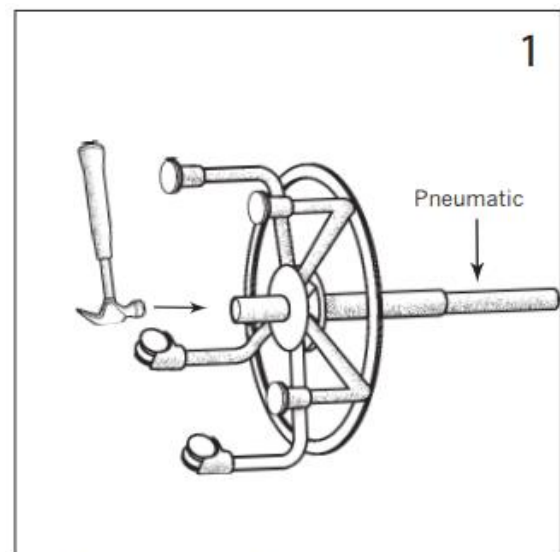
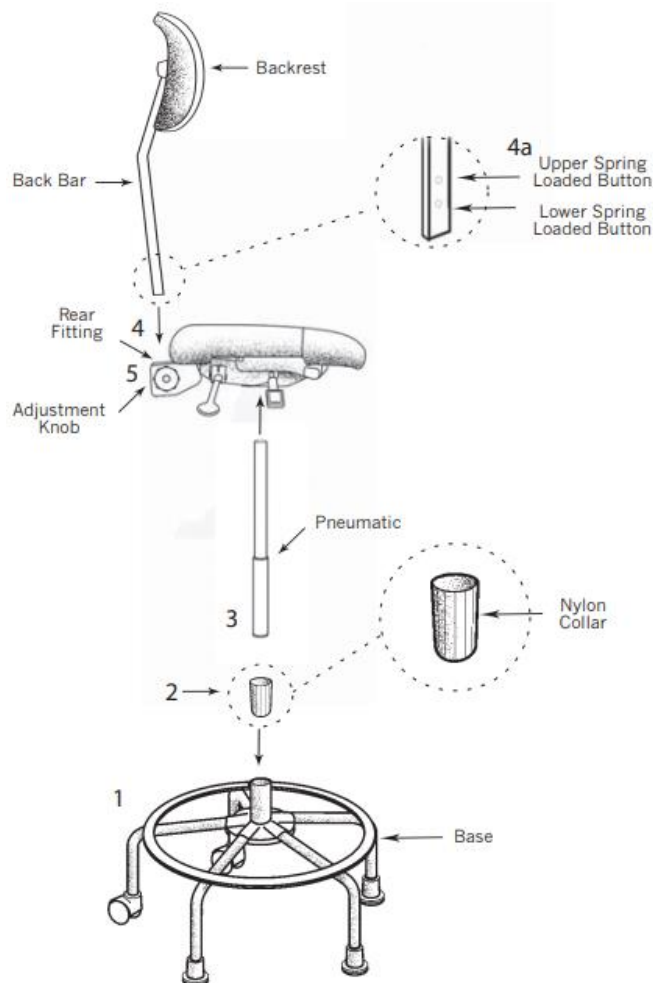
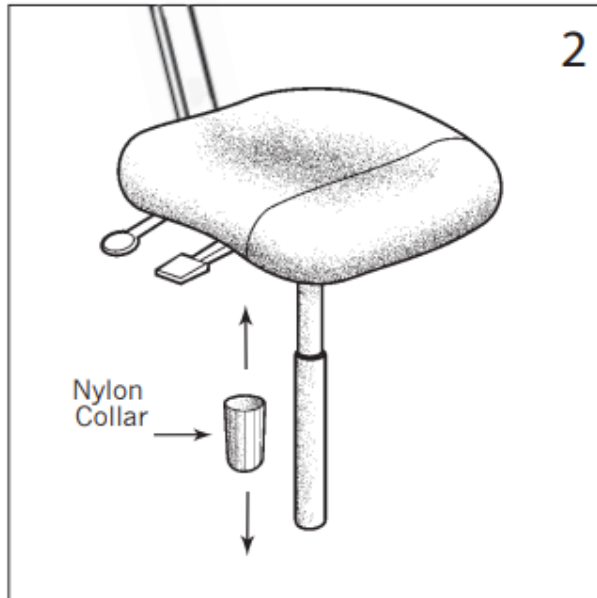


## 3 in 1 Sit Stand – Assembly Guide

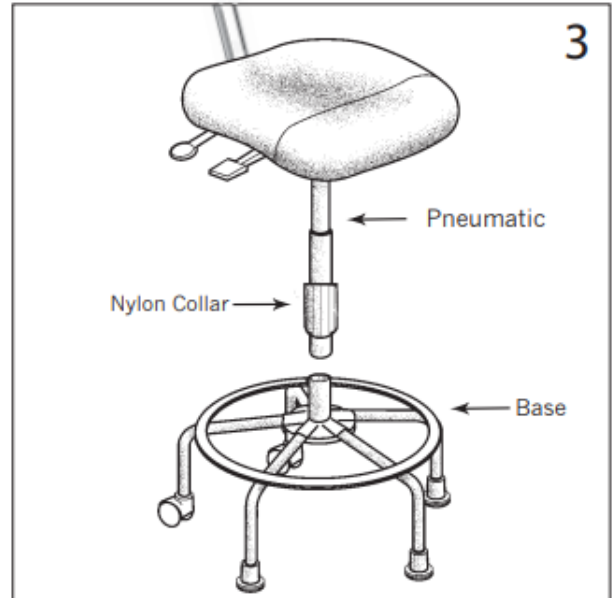
1. Adjust black nylon collar, with thin end facing down, on pneumatic at desired level.
2. Place base on floor and set bottom end (large end) of pneumatic into base (Collar, with thin end facing down, will maintain position by friction fit).
3. Attach seat by fitting top of the pneumatic cylinder (small end) into the control mechanism under seat.
4. Place backrest bar into back bar slot at the back of the seat pan.
  - a. Press and hold lower silver spring loaded button on the bottom of backrest bar and slide into back bar into fitting at the rear of the seat (release button once it catches in the back bar slot). The button will release once the back bar has been inserted through the back bar slot causing back bar to lock in place. The upper silver spring loaded button prevents the back bar from sliding through the rear fitting.
5. Slide the back bar up or down until the backrest has reached the desired height. Tighten adjustment knob to secure back bar in desired location. Test all chair adjustments to ensure no damage was caused during shipment.



Place 3 in 1 Sit Stand horizontally on the floor. Using a hammer or mallet, tap bottom of pneumatic until it is freed from the base.



Adjust the nylon collar up or down on the pneumatic to desired height. For a lower seat height move the collar toward the seat pan. For a higher seat height move collar away from the seat pan.



Insert pneumatic into base until height adjustable collar is secured.