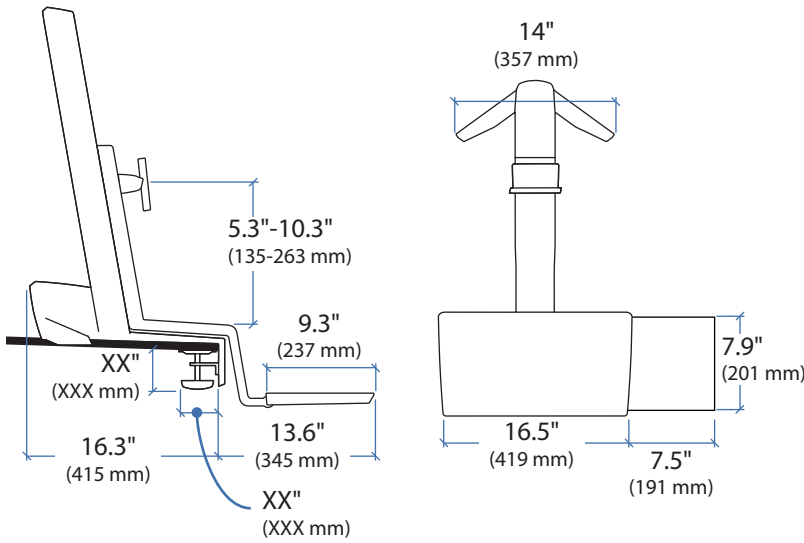
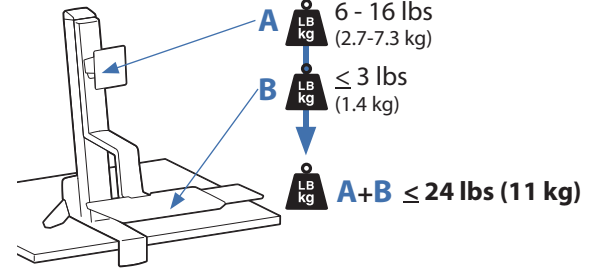


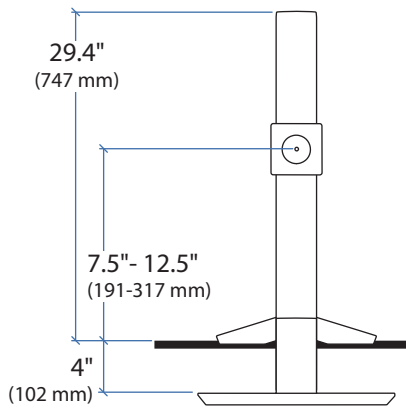
WorkFit-S, Single LCD Mount, LD



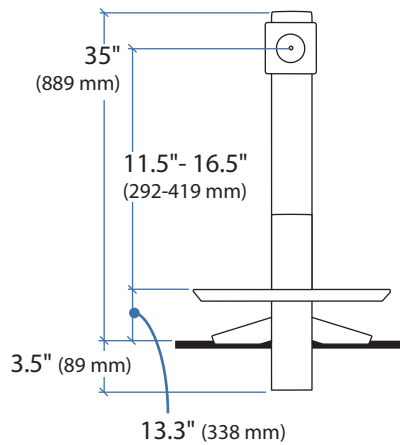
Weight Capacity:



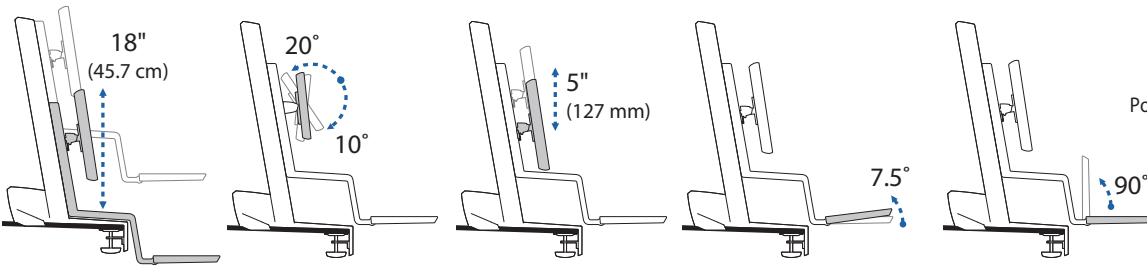
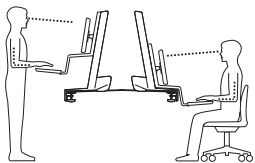
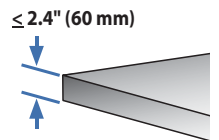
Lowest Position



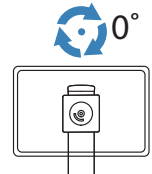
Highest Position



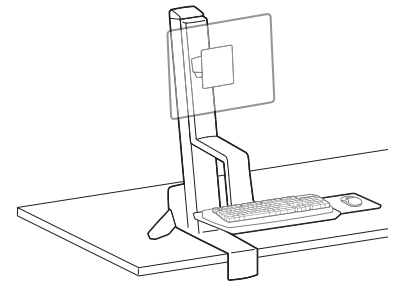
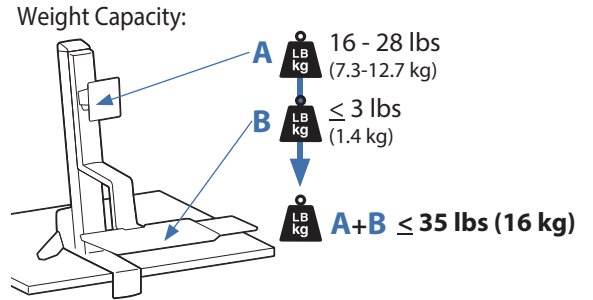
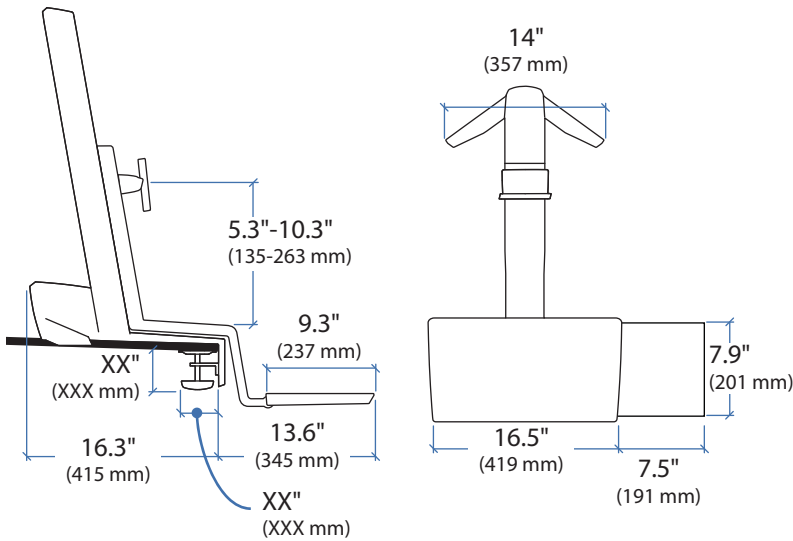
Desk Thickness:



Portrait/Landscape rotation stop screw can be installed for 0° rotation.

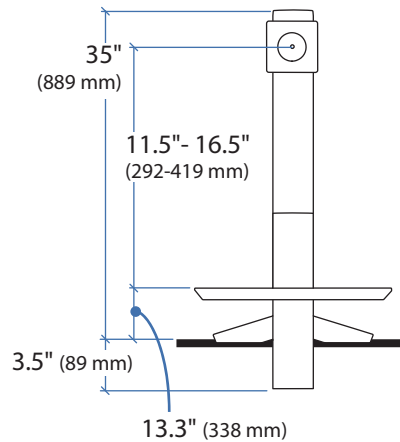
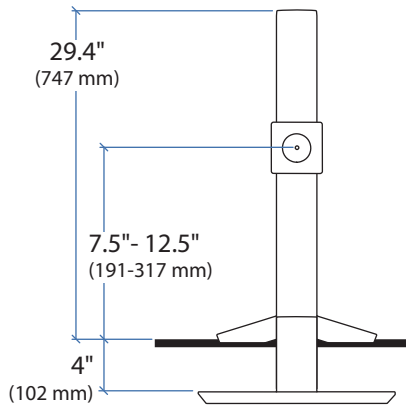


WorkFit-S, Single LCD Mount, HD



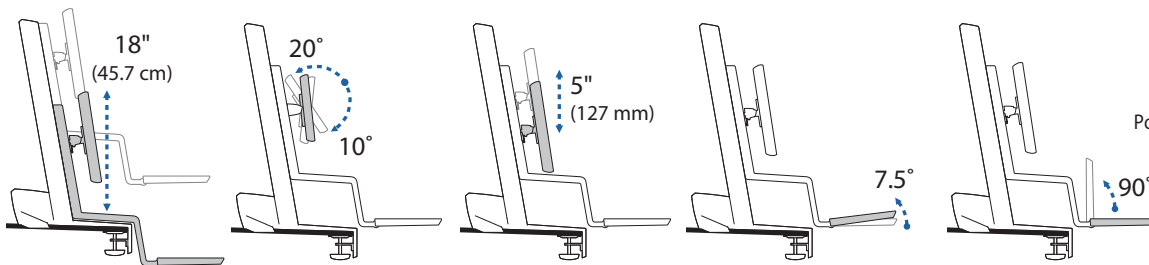
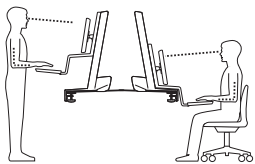
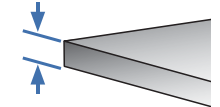
Lowest Position

Highest Position



Desk Thickness:

≤ 2.4" (60 mm)



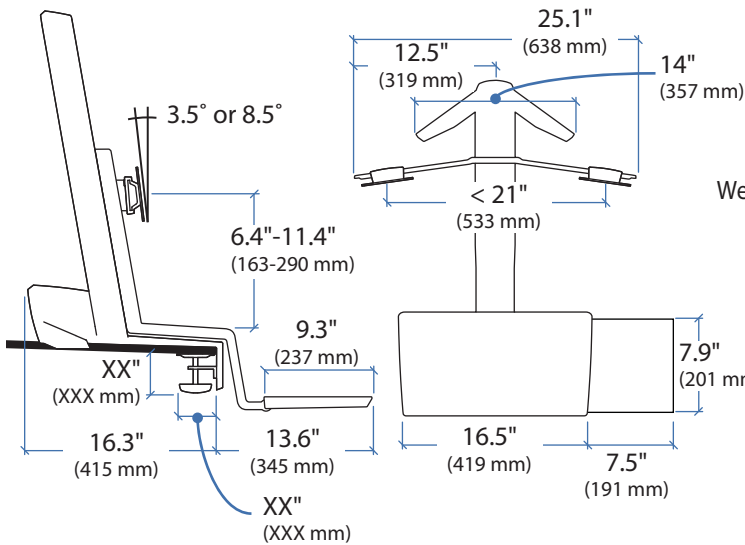
Portrait/Landscape rotation stop screw can be installed for 0° rotation.



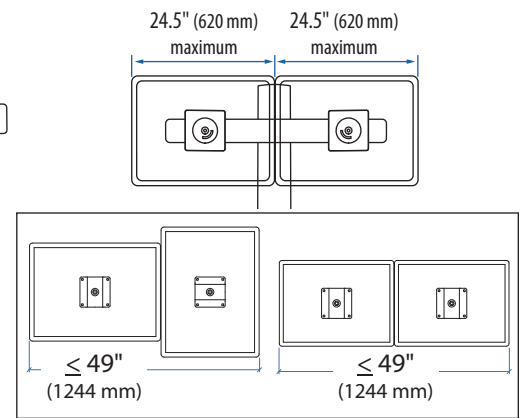
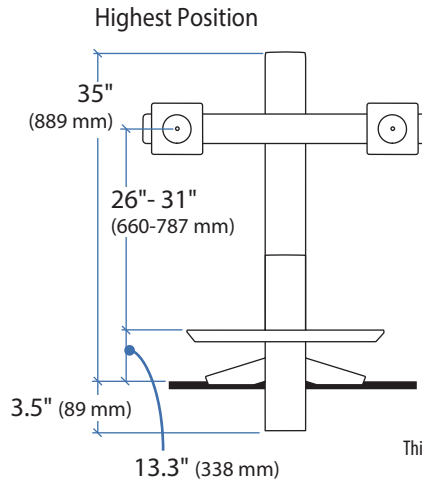
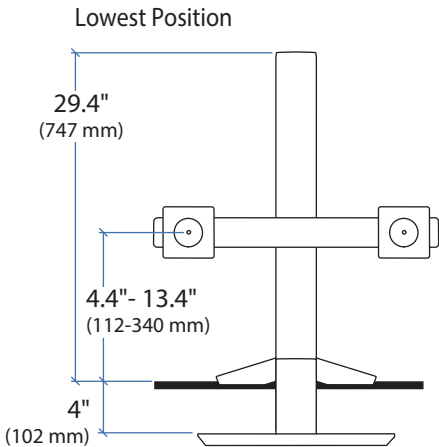
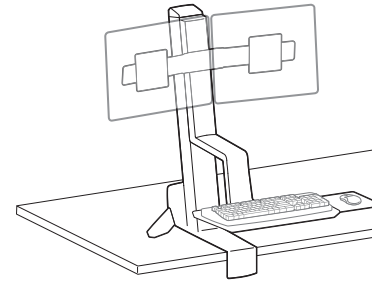
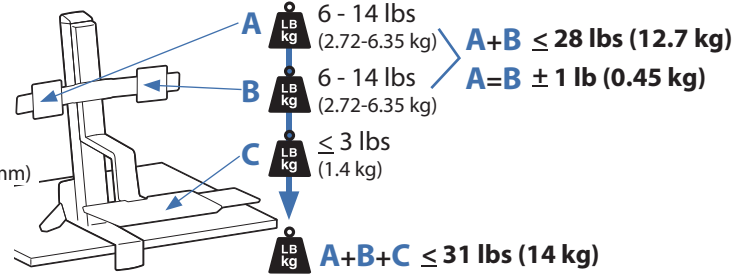
Ergotron®

WorkFit-S, Dual

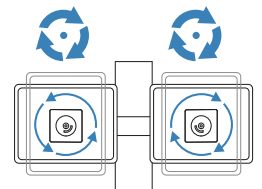
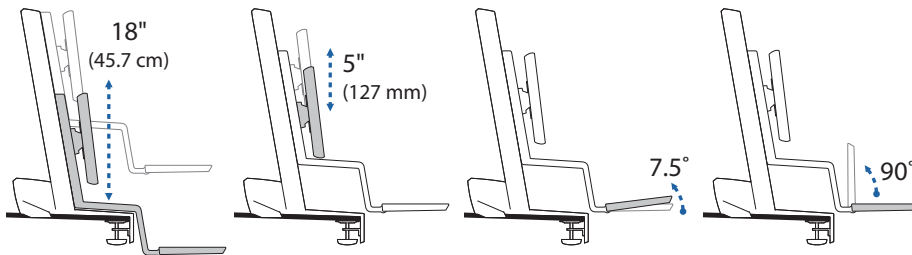
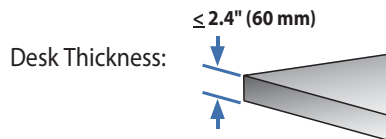
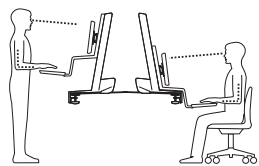
Dimensional & Range of Motion Illustrations



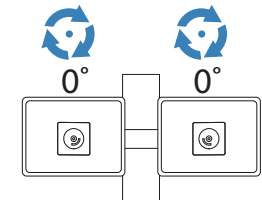
Weight Capacity:



This range accommodates most displays with screens up to 24" as well as some displays with screens as large as 26". Actual allowable width of displays will vary slightly depending on display thickness. Note that older versions of this product used a narrower crossbar, which accommodated monitors with screens of up to 22"



Portrait/Landscape rotation stop screw can be installed for 0° rotation.

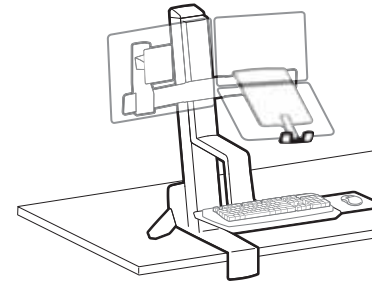
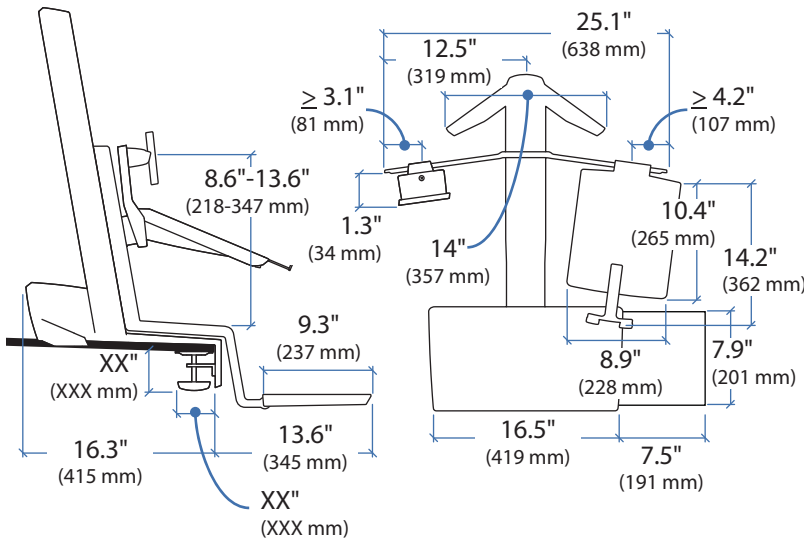


© 2014 Ergotron, Inc. rev. 01/23/2014 DIM-WorkFit-S Content is subject to change without notification

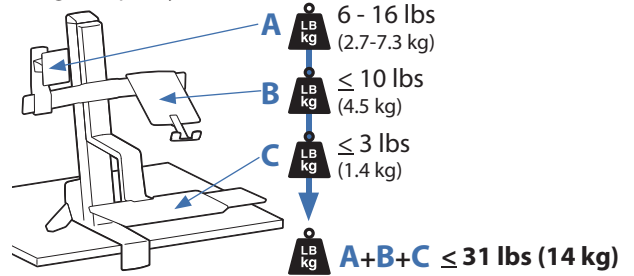
Available From:
The Human Solution
 2139 W Anderson Ln
 Austin, TX 78757
 T- 800.531.3746
 F- 512.828.8000
 www.thehumansolution.com
 info@thehumansolution.com



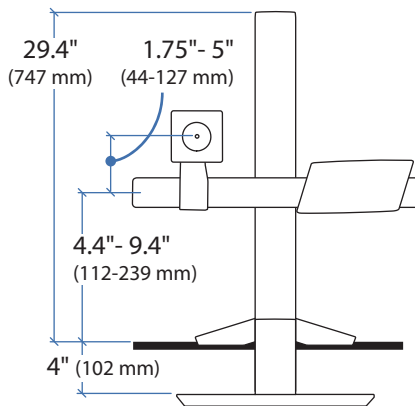
WorkFit-S, LCD & Laptop



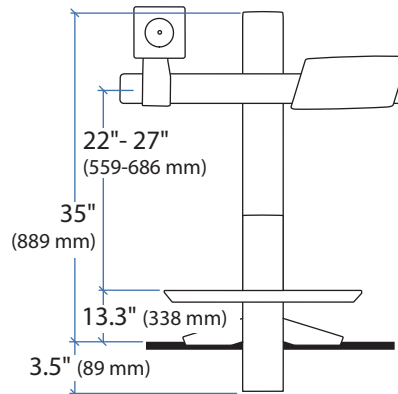
Weight Capacity:



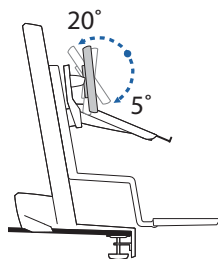
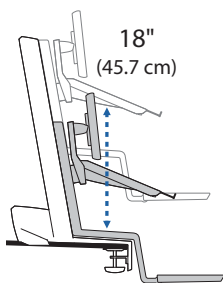
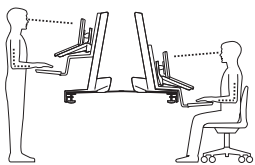
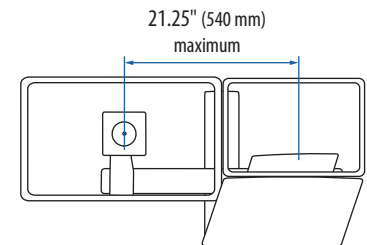
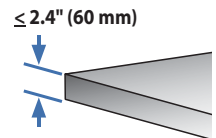
Lowest Position



Highest Position



Desk Thickness:



LCD and Laptop Tray

