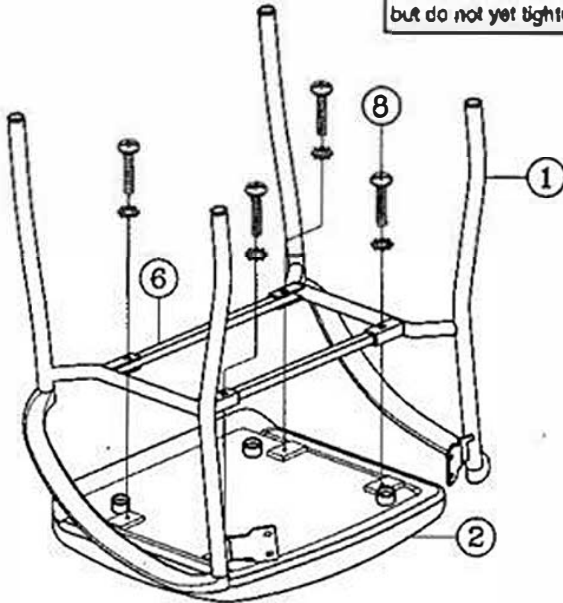


Remove all items from the carton . Verify all pieces before assembly.

KEY QTY	DESCRIPTION	KEY QTY	DESCRIPTION
1	2 Sled Base	5	1 Back Plastic Cover
2	1 Seat Cushion	6	2 Steel Bar
3	1 Seat Plastic Cover	7	4 Backrest Screw (Short)
4	1 Back Cushion	8	4 Seat Screw (Longer) + Washer

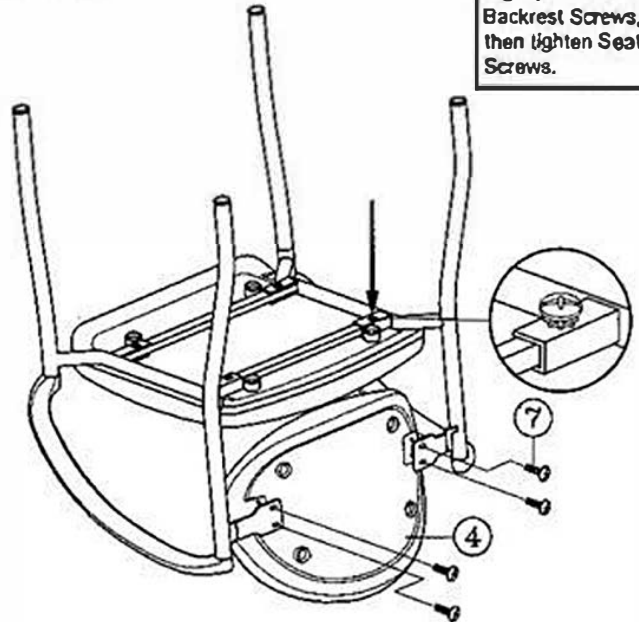
### STEP 1.

Screw in Seat Screws, but do not yet tighten.



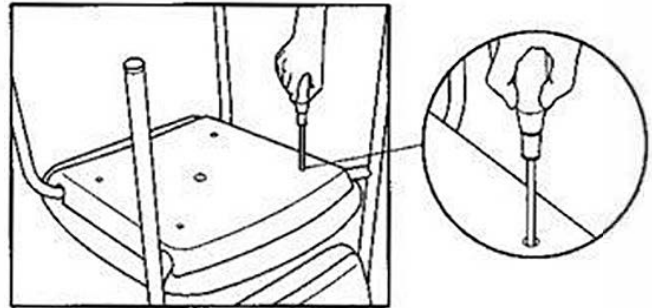
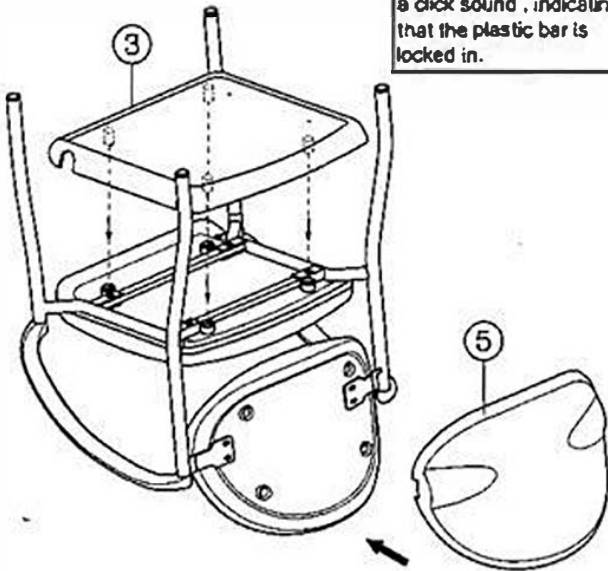
### STEP 2.

Tightly screw in Backrest Screws, then tighten Seat Screws.



### STEP 3.

Push hard until you hear a click sound, indicating that the plastic bar is locked in.

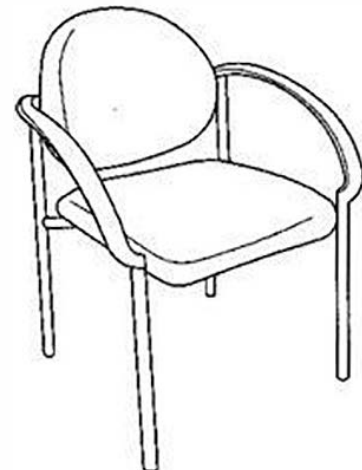


#### PREVENTIVE MAINTENANCE AND WARNING !

- From time to time, check to make sure screws are securely tightened.
- ◊ Holes on PP shell are for convenient checking.

#### PREVENTIVE MAINTENANCE AND WARNING!

- USE THIS PRODUCT ONLY FOR SEATING ONE PERSON AT A TIME.
- DO NOT USE THIS CHAIR AS A STEP STOOL, / LADDER.
- DO NOT SIT ON ANY PART OF THE CHAIR EXCEPT THE SEAT.
- DO NOT USE CHAIR ON UNEVEN FLOOR SURFACES.
- DO NOT USE CHAIR UNLESS ALL BOLTS, SCREWS AND KNOBS ARE TIGHT. AT LEAST EVERY SIX MONTHS, CHECK ALL BOLTS, SCREWS AND KNOBS TO BE SURE THEY ARE TIGHT.
- IF ANY PARTS ARE MISSING, BROKEN, DAMAGED OR WORN, STOP USE OF THE PRODUCT UNTIL REPAIRS ARE MADE USING FACTORY AUTHORIZED PARTS.
- DISPOSE OF PACKAGING PROPERLY. PLASTIC BAG IS NOT A TOY. DO NOT USE PLASTIC BAG AS HEAD COVERING. IT MAY CAUSE SUFFOCATION.
- FAILURE TO FOLLOW THESE WARNINGS COULD RESULT IN SERIOUS INJURY.



9011