

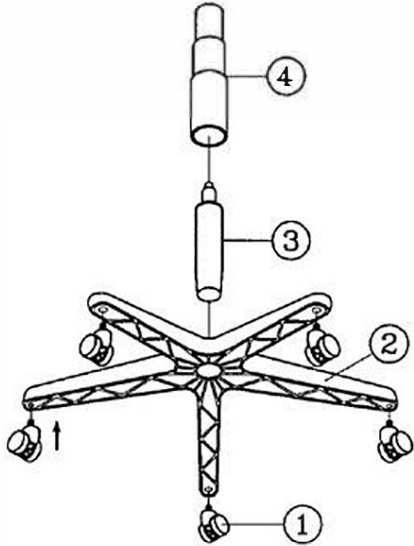
ASSEMBLY INSTRUCTION

Remove all items from the carton . Verify all pieces before assembly.

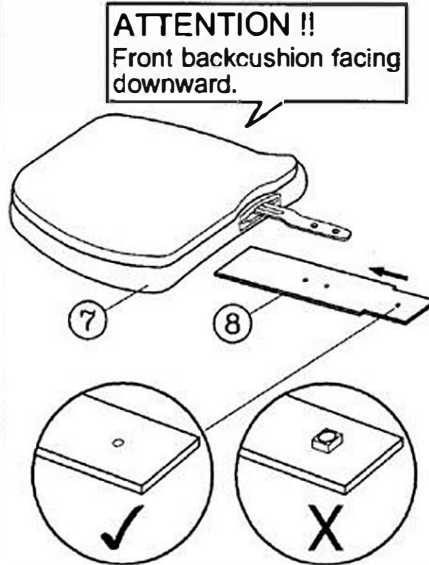
PART LIST

KEY QTY	DESCRIPTION	KEY QTY	DESCRIPTION	KEY QTY	DESCRIPTION	
1	5	Caster	6	1	Seat	
2	1	Base	7	1	Backrest	
3	1	Seat Post	8	1	Backrest Post	
4	1	Seat Post Cover	9	2	Backrest Screw	
5	1	Mechanism	10	1	M5 Size Allen Wrench	
				11	1	Backrest Bolt + Washers
				12	1	M6 Size Allen Wrench
				13	2	Armrest
				14	2	Arm Width Adjustment Knob + Washers

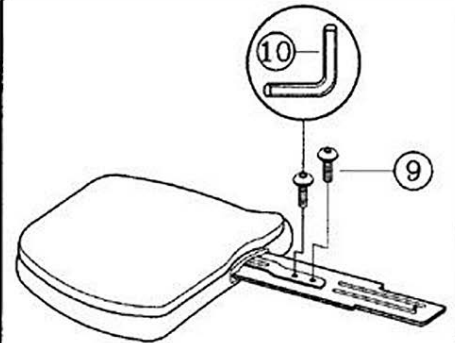
STEP 1.



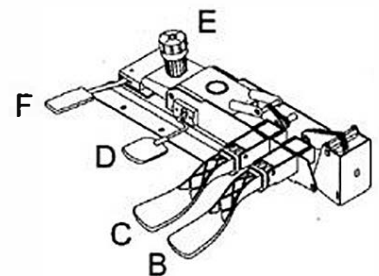
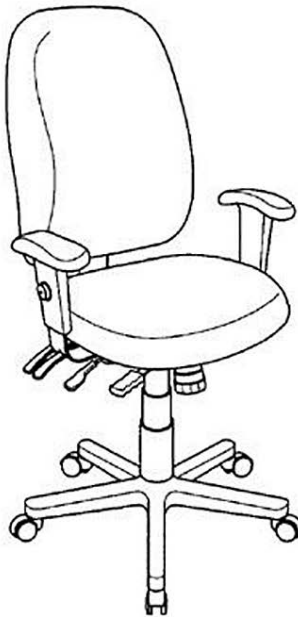
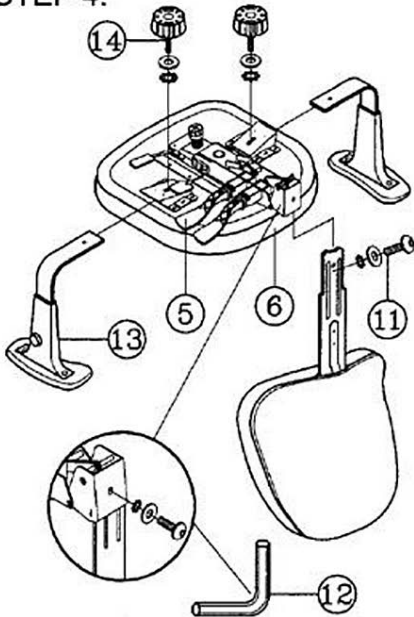
STEP 2.



STEP 3.



STEP 4.



- B Back Angle Adjustment Lever
- C Combination Seat / Back Angle Adjustment Lever with Infinite Lock
- D Seat Height Adjustment Lever
- E Tension Adjustment Knob
- F Forward Tilt Lever

PREVENTIVE MAINTENANCE AND WARNING!

- USE THIS PRODUCT ONLY FOR SEATING ONE PERSON AT A TIME.
- DO NOT USE THIS CHAIR AS A STEP STOOL / LADDER.
- DO NOT SIT ON ANY PART OF THE CHAIR EXCEPT THE SEAT.
- DO NOT USE CHAIR ON UNEVEN FLOOR SURFACES.
- DO NOT USE CHAIR UNLESS ALL BOLTS , SCREWS AND KNOBS ARE TIGHT , AT LEAST EVERY SIX MONTHS , CHECK ALL BOLTS , SCREWS AND KNOBS TO BE SURE THEY ARE TIGHT.
- IF ANY PARTS ARE MISSING , BROKEN , DAMAGED OR WORN , STOP USE OF THE PRODUCT UNTIL REPAIRS ARE MADE USING FACTORY AUTHORIZED PARTS.
- DISPOSE OF PACKAGING PROPERLY . PLASTIC BAG IS NOT A TOY . DO NOT USE PLASTIC BAG AS HEAD COVERING - IT MAY CAUSE SUFFOCATION.
- FAILURE TO FOLLOW THESE WARNINGS COULD RESULT IN SERIOUS INJURY.

available at:

 **humansolution**[®]

800.531.3746

info@thehumansolution.com
thehumansolution.com