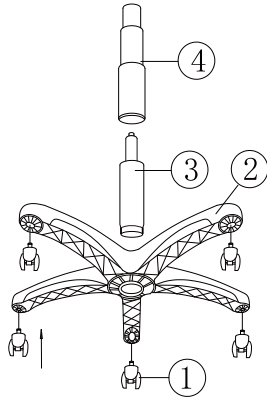


Remove all items from the carton. Verify all pieces before assembly

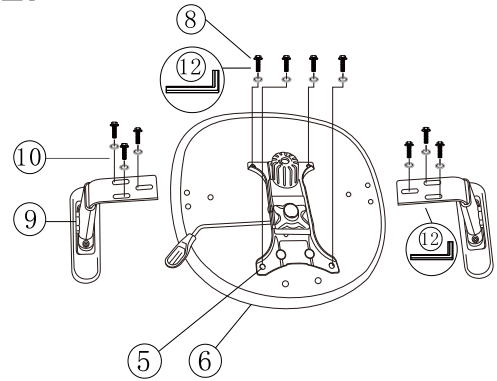
PARTS LIST

KEY	QTY	DESCRIPTION	KEY	QTY	DESCRIPTION	KEY	QTY	DESCRIPTION
1	5	Caster	7	1	Backrest	11	4	Back Attachment Screws (5/16"×1-1/4") and Washers
2	1	Base	8	4	Mechanism Screws and Washers (5/16"×7/8")			
3	1	Seat Post	9	2	Armrest	12	1	Allen Wrench (5mm)
4	1	Seat Post Cover	10	6	Armrest Screws and Washers (1/4"×1")			
5	1	Mechanism						
6	1	Seat						

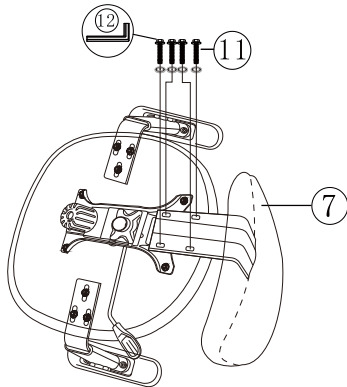
STEP 1.



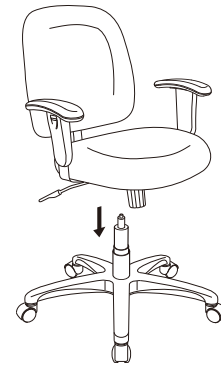
STEP 2.



STEP 3.



STEP 4.



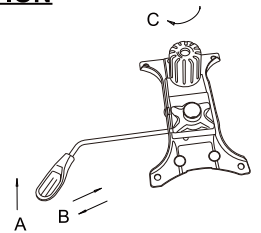
STEP 5.



NOTICE:
EVERY 6 MONTHS, PLEASE MAKE SURE ALL BOLTS, SCREWS AND KNOBS ARE FULLY TIGHTENED TO ENSURE STABILITY

MECHANISM OPERATION INSTRUCTION WHILE SEATED:

- (A) **SEAT HEIGHT ADJUSTMENT:**
Pull lever up. Release lever when desired position is reached
- (B) **BACK TILT ADJUSTMENT:**
Pull lever out horizontally. Move backrest to tilt. To lock in upright position, push lever in.
- (C) **TILT TENSION ADJUSTMENT KNOB:**
Rotate knob clockwise/counterclockwise to adjust tilt tension based on body weight.



PREVENTIVE MAINTENANCE AND WARNING!

- USE THIS PRODUCT ONLY FOR SEATING ONE PERSON AT A TIME.
- DO NOT USE THIS CHAIR AS A STEP STOOL/LADDER.
- DO NOT SIT ON ANY PART OF THE CHAIR EXCEPT THE SEAT.
- DO NOT USE CHAIR ON UNEVEN FLOOR SURFACES.
- DO NOT USE CHAIR UNLESS ALL BOLTS, SCREWS AND KNOBS ARE TIGHT.
- **AT LEAST EVERY SIX MONTHS, CHECK ALL BOLTS, SCREWS AND KNOBS TO BE SURE THEY ARE TIGHT.**
- IF ANY PARTS ARE MISSING, BROKEN, DAMAGED OR WORN, STOP USE OF THE PRODUCT UNTIL REPAIRS ARE MADE USING FACTORY AUTHORIZED PARTS.
- DISPOSE OF PACKAGING PROPERLY, PLASTIC BAG IS NOT A TOY. DO NOT USE PLASTIC BAG AS HEAD COVERING-IT MAY CAUSE SUFFOCATION.
- FAILURE TO FOLLOW THESE WARNINGS COULD RESULT IN SERIOUS INJURY.