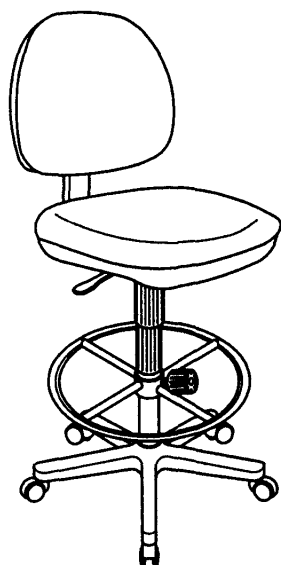


Remove all items from the carton . Verify all pieces before assembly.

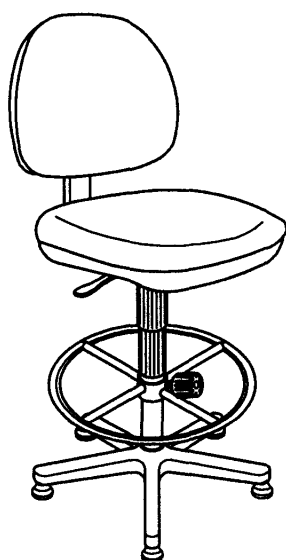
PART LIST

KEY	QTY	DESCRIPTION
1	1	Footring
2	1	Extension Tube
3	1	Footring Height Adjustment Knob
4	1	Round Plastic Liner
5	5	Glide

KEY	QTY	DESCRIPTION
The following parts can be found in the OSS400 chair carton.		
6	1	Base
7	1	Seat Post
8	5	Caster

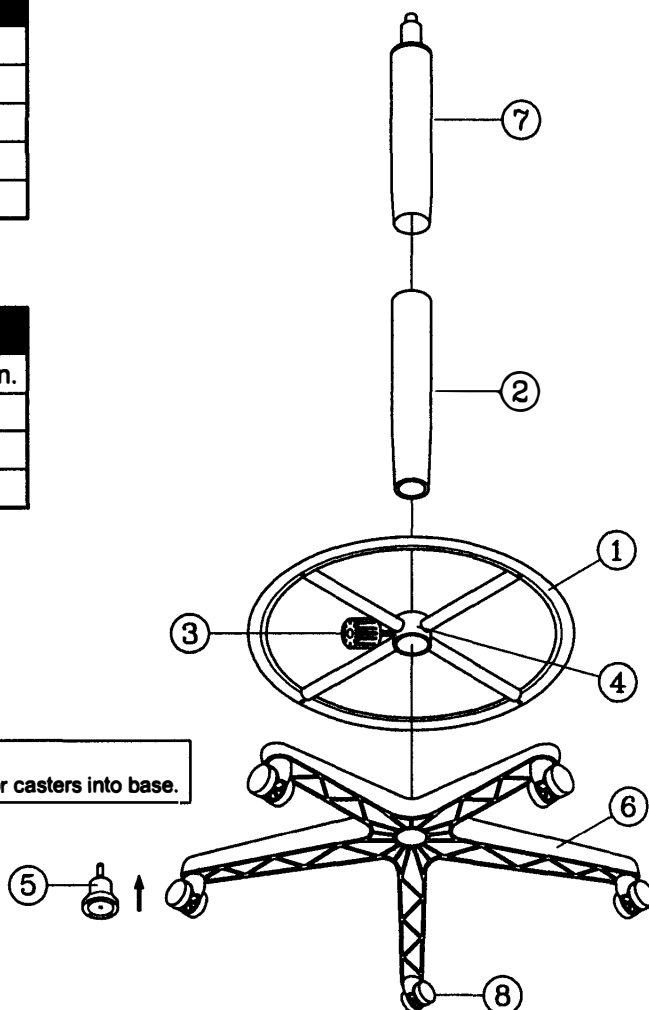


chair with casters



chair with glides

Please note:
Insert either glides or casters into base.



Assembly Instructions

- Slide (1) Footring onto (2) Extension Tube.
- Insert tapered end of (2) Extension Tube into (6) Base.
- Put (7) Seat Post into (2) Extension Tube.
- Place upper assembled part of your chair on (7) Seat Post.
- (1) Footring is now ready to lock at any position on (2) Extension Tube with (3) Footring Height Adjustment Knob.

PREVENTIVE MAINTENANCE AND WARNING!

- USE THIS PRODUCT ONLY FOR SEATING ONE PERSON AT A TIME.
- DO NOT USE THIS CHAIR AS A STEP STOOL / LADDER.
- DO NOT SIT ON ANY PART OF THE CHAIR EXCEPT THE SEAT.
- DO NOT USE CHAIR ON UNEVEN FLOOR SURFACES.
- DO NOT USE CHAIR UNLESS ALL BOLTS, SCREWS AND KNOBS ARE TIGHTENED.
- EVERY SIX MONTHS, PLEASE MAKE SURE ALL BOLTS, SCREWS AND KNOBS ARE FULLY TIGHTENED TO ENSURE STABILITY.
- IF ANY PARTS ARE MISSING, BROKEN, DAMAGED OR WORN, STOP USE OF THE PRODUCT UNTIL REPAIRS ARE MADE USING FACTORY AUTHORIZED PARTS.
- DISPOSE OF PACKAGING PROPERLY. PLASTIC BAG IS NOT A TOY. DO NOT USE PLASTIC BAG AS HEAD COVERING - IT MAY CAUSE SUFFOCATION.
- FAILURE TO FOLLOW THESE WARNINGS COULD RESULT IN SERIOUS INJURY.
- NOTE: SOME SCREWS MAY BE PREASSEMBLED. IF PREASSEMBLED, IGNORE ASSEMBLY INSTRUCTIONS.