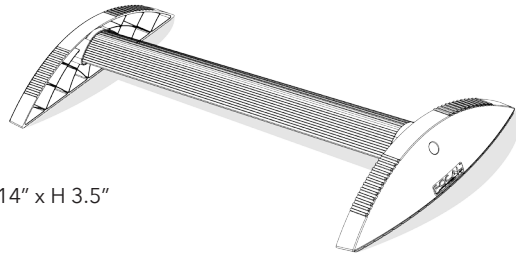


STABILIZING FOOT REST



Dimensions
Weight

L 26" x W 14" x H 3.5"
3 lbs.

The Stabilizing Foot Rest engages the large leg muscles for enhanced support and caloric burn, takes pressure off your foot bones, provides much-needed ankle support, and promotes circulation in your lower body. Additionally, the Stabilizing Foot Rest encourages you to vary postures while you work.

Pair the Foot Rest with a standing desk or a traditional seated workstation. Even better, try it paired with the Mobis and Mogo, taking pressure off the front of your feet so you can work comfortably all day long.

FEATURES

- Sturdy extruded anodized aluminum bar
- Non-marking Butyl rubber to keep you upright
- Lightweight for portability
- Easily paired with Focal Upright seats or stand-biased desks

SHIPPING DETAILS

Some assembly required. Box is L 26" x W 6" x H 6", weight is 4.5 lbs.

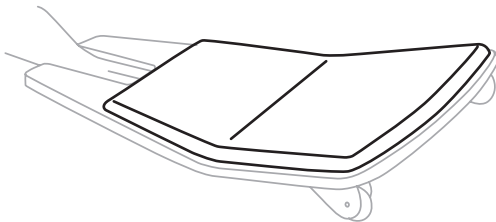
MATERIALS

Extruded anodized aluminum, and non-marking Butyl rubber

COMPATIBLE WITH

- Focal Upright Mobis Seat
- Focal Upright Mogo Seat
- Focal Upright Pivot Seat
- Any height-adjustable workstation

ANTI-FATIGUE MAT



Dimensions
Weight

L 26.25" x W 24.25" x H 0.8"
4.25 lbs.

The Anti-Fatigue Mat is designed to add an extra layer of comfort to your Locus Seat, taking stress off your feet and ankles so you can work comfortably for longer stretches of time.

The Anti-Fatigue Mat is designed for durability; it won't delaminate, curl, compress, or wear through. What's more, the mat is easy to clean. Spritz it with any household cleaner, wipe it with a damp cloth, and you're good to go.

FEATURES

- Reduces strain and pressure on feet and legs
- Ergonomist-recommended
- Removable
- One year warranty

SHIPPING DETAILS

Ships fully assembled. Box is L 30" x W 30" x H 1", weight is 6 lbs.

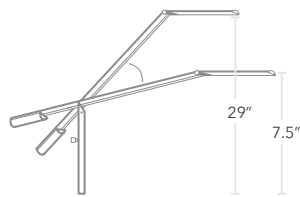
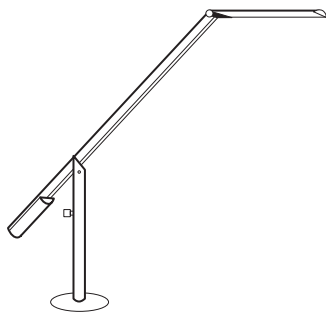
MATERIALS

Closed cell soft polyurethane foam

COMPATIBLE WITH

- Focal Upright Locus Seat
- Complement to any standing desk

LED WORKLIGHT



Dimensions
Weight

L 32" x W 1.25" x H 7.5-29"
6 lbs.

The LED Task Light by Koncept is best-in-class, incorporating style, elegance, and environmentally friendly features. The lamp has a streamlined counterweight design for feather-light adjustability. One finger is all you need to adjust the floating arm's position, and the tilting head stays positioned when the arm is raised or lowered. Never has it been this easy to properly light your workspace.

FEATURES

- Multi-level touch dimming
- 50,000 hours lifespan and 6 watts consumption
- 3,500 K/4,500 K light color
- At full extension, light is 29" tall. At lowest extension, light is 7.5" tall.

MATERIALS

Extruded and anodized aluminum, cast aluminum and nylon, and 28 warm LEDs

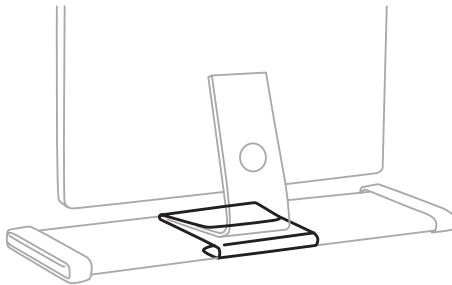
SHIPPING DETAILS

Some assembly required. Box is L 26" x W 14" x H 3", weight is 6 lbs.

COMPATIBLE WITH

- Focal Upright Locus Desk or Sphere Desk

IMAC BRACKET



Dimensions
Weight

L 7.75" x W 9" x H 1"
2.5 lbs.

The iMac Bracket keeps your monitor in place simply and securely. The powder-coated bent steel device can be placed directly onto the Locus or Sphere Desk or attached to the Stay Flat Shelf and works with iMac computers, Thunderbolt and Cinema displays.

FEATURES

- Simply secures monitor in place
- Slides on to top edge of Locus Desk or back edge of Stay Flat Shelf
- Designed in Rhode Island

MATERIALS

Powder-coated bent steel

SHIPPING DETAILS

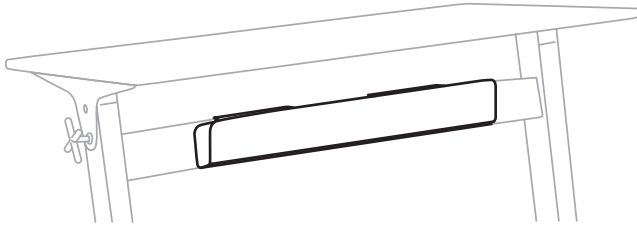
Ships fully assembled.

Box is L 10" x W 8" x H 2", weight is 3 lbs.

COMPATIBLE WITH

- Stay Flat Shelf or Locus Desk top
- Suitable for iMac computers, Thunderbolt and Cinema displays

CABLE MANAGEMENT TRAY



Dimensions
Weight

L 4" x W 6" x H 27"
5 lbs.

The Cable Management Tray liberates you from all that cable clutter. Made of powder-coated bent steel, the cable management tray keeps all of your cables tidy and organized by seamlessly bolting to the upper stretcher of any Focal desk.

FEATURES

- Keeps loose cables and power strips neat and tidy
- Fits perfectly on Focal desk stabilizing beam to stay hidden beneath and behind desk
- Designed in Rhode Island

SHIPPING DETAILS

Ships fully assembled. Box is L 28" x W 8" x H 6", weight is 6 lbs.

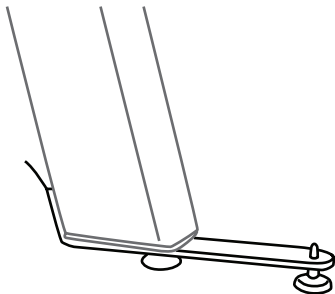
MATERIALS

Powder-coated bent steel

COMPATIBLE WITH

- Any Focal Upright desk

DESK STABILIZERS



Dimensions
Weight

L 11.7" x W 1.5" x H 3.7"
2.9 lbs.

The Desk Stabilizers are engineered to prevent desks loaded with extra weight from tipping forward. How do they work? These discrete stabilizing feet attaches to your desk frame and push the center of gravity forward preventing the dreaded desk tip. The sleek, L-shape design works seamlessly with any Focal desk, easily attaching to the base of the lower K-Leg.

FEATURES

- Engineered to prevent desks loaded with extra weight from tipping forward
- Sleek, L-shape design works seamlessly with any Focal desk, easily attaching to the base of the lower K-Leg
- Recommended for users loading their desk with more than 45 lbs. weight

SHIPPING DETAILS

Ships fully assembled. Box is L 12.75" x W 9.5" x H 2.25", weight is 3.75 lbs.

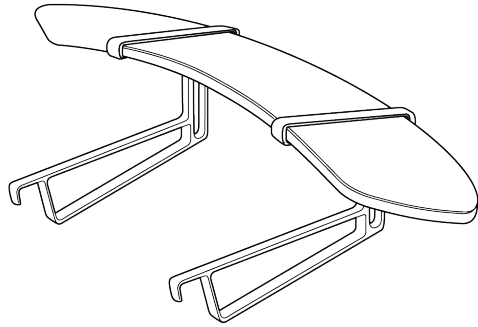
MATERIALS

Cold rolled steel

COMPATIBLE WITH

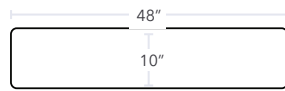
- Locus Desk (all sizes)
- Sphere Desk

STAY FLAT SHELF

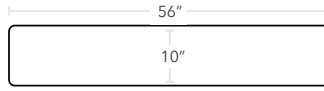


The Stay Flat Shelf provides a level surface, even when the desk is at full tilt. It keeps your water bottle, papers, and knickknacks in place. The shelf is made of furniture grade plywood and is attached with cast aluminum and silver powder-coated brackets.

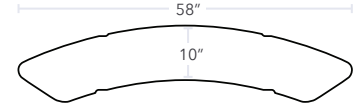
Available for all sizes of Locus Desk and the Sphere Desk.



LOCUS 4



LOCUS 5/6



SPHERE

Dimensions	L 48" x W 10" x H 0.75"	L 56" x W 10" x H 0.75"	L 58" x W 10" x H 0.75"
Weight	20 lbs.	22 lbs.	22 lbs.
Compatibility	Locus 4 Desk	Locus 5 or Locus 6 Desk	Sphere Desk

FINISHES



Black Matte Laminate



Glacier White Laminate



White Oak Veneer



Black Walnut Veneer

MATERIALS

Shelf is made of 13-layer 0.75" American-made hardwood ply, NAUF plywood available. Brackets are made from silver powder-coated cast aluminum.

COMPATIBLE WITH

- Any Focal Upright desk.
- Locus 4 Shelf fits Locus 4 Desk, Locus 5/6 Shelf fits Locus 5 or Locus 6, and Sphere Shelf fits Sphere Desk.

FEATURES

- Provides a level surface, even when the desk is at a full tilt
- Mounted monitors rest at the ergonomically-recommended height
- Wooden shelf designed and made in the USA

SHIPPING DETAILS

	LOCUS 4	LOCUS 5/6	SPHERE
Shipping dimensions	L 50" x W 12" x H 3"	L 59" x W 15" x H 5"	L 59" x W 15" x H 5"
Shipping weight	21 lbs.	23 lbs.	23 lbs.